



**LEAPTON**  
SOLAR

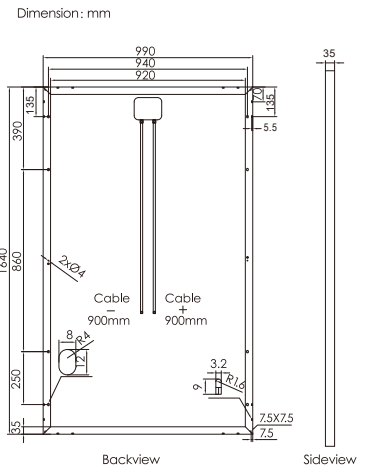
# LP156x156-P-60

## Rated Power 260-290W



Monocrystalline

Polycrystalline



Product Series	LP156*156-P-60						
Maximum Rated Power	260W	265W	270W	275W	280W	285W	290W
Open Circuit Voltage	37.82V	38.02V	38.22V	38.42V	38.62V	38.82V	39.02V
Short Circuit Current	8.98A	9.07A	9.16A	9.25A	9.34A	9.43A	9.52A
Maximum Power Voltage	30.75V	30.95V	31.15V	31.35V	31.55V	31.75V	31.95V
Maximum Power Current	8.46A	8.56A	8.67A	8.77A	8.87A	8.98A	9.08A
Module Efficiency	16.0%	16.3%	16.6%	16.9%	17.2%	17.6%	17.9%

Product Characteristics

Weight	18.0kg	Junction Box	IP67
Module Size	1640*990*35mm	Frame	Aluminum Alloy
Cell Amount	60 pcs of polycrystalline	Cable	4mm <sup>2</sup> , Length≥1100mm
Cell Size	156*156mm	Connection	(Compatible with) MC4
Maximum System Voltage	1500V	Application Level	Class A

Temperature Characteristics

NOCT	45±2°C	Output Tolerance	0~+3%
Temperature Coefficient of Short Circuit Current	+0.06%/°C	Operating Temperature	-40°C~+85°C
Temperature Coefficient of Open Circuit Voltage	-0.3%/°C	Wind Load / Snow Load	2400pa/5400pa
Temperature Coefficient of Maximum Power	-0.40%/°C	Fuse Current	15A

Maximum Ratings



- 10-YEAR 90% Maximum Output
- 25-YEAR 80% Maximum Output



J-PEC Product



- Salt Spray Certificate
- Ammonia Certificate
- IEC61701
- IEC62716



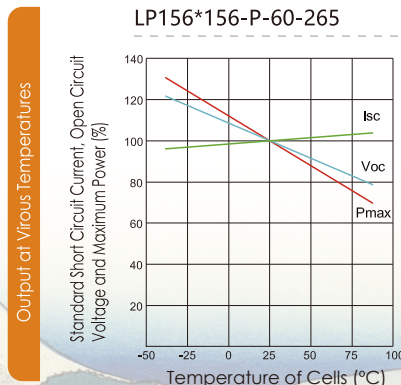
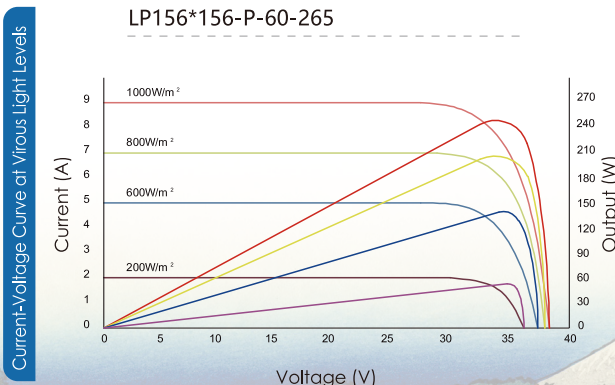
TÜV PID Certificate



- TÜV Certificate
- IEC61215:2016
- IEC61730:2016



Maximum System Voltage



**Leapton Energy Co., Ltd.**  
HEAD OFFICE, Kobe, JAPAN  
Tosei Bldg.6F, 1-2-1, Aioi-cho,  
Chuo-ku, Kobe-shi,  
Hyogo 650-0025, Japan

**PV Module Manufacturer**  
**Leapton Solar (Changshu) Co., Ltd.**  
No.55, Sunshine Avenue, Changshu City,  
Jiangsu, China

www.leaptonpv.com  
info@leaptonenergy.com