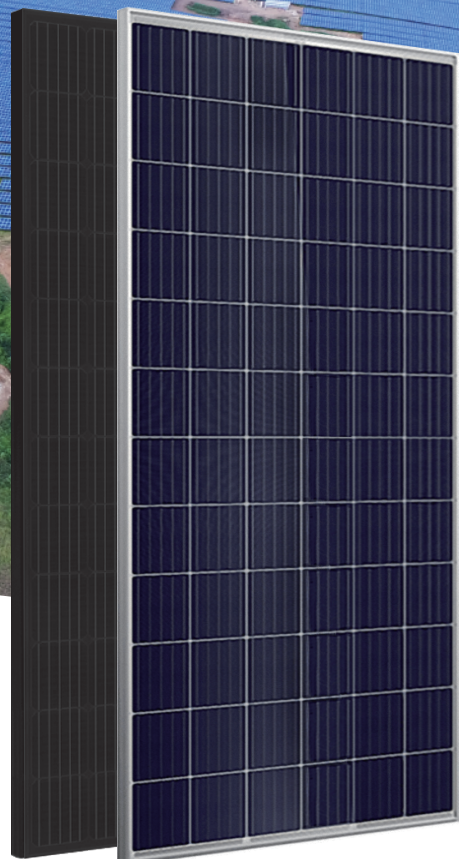




PERLIGHT
smart.black



POLYCRYSTALLINE SOLAR MODULE
PLM-325P-72 SERIES
PLM-325PB-72 SERIES

PERLIGHT SOLAR

Founded in 2006, Perlight Solar is growing to be the world leading residential smart solar PV products manufacturer & service provider.

Based on more than 30 years manufacturing experience of Baolite Group, along with the implementation of MES & ERP system, Perlight Solar have realized lean and flexible manu-

facturing of solar cell & solar module.

With corporate values "Customer First, Talent Excellence, Pragmatic Innovation, Integrity & Win-Win", Perlight Solar will continue to provide excellent smart energy products & service to global families and vision to be the leading brand in global distributed smart energy.



17.78%
Maximum Module Efficiency



12 Years
Limited Product Warranty



25 Years
Performance Warranty



Performance

Good performance even under low light conditions



Reliability

Strict selection of raw materials and strict quality control ensure reliability



Smart

Optional smart-ready design. Easy upgrade into smart solar module solution

PERLIGHTSOLAR

POLYCRYSTALLINE 72-CELL SERIES

ELECTRICAL PERFORMANCE

Module type	PLM-325P-72 / PLM-325PB-72 series								
Power output	P_{max}	W_p	315	320	325	330	335	340	345
Power output tolerances	ΔP_{max}	W	0~+5						
Voltage at Pmax	V_{mpp}	V	36.80	37.08	37.28	37.38	37.60	37.87	38.13
Current at Pmax	I_{mpp}	A	8.56	8.63	8.72	8.83	8.91	8.98	9.05
Open-circuit voltage	V_{oc}	V	44.53	44.87	45.11	45.23	45.50	45.82	46.14
Short-circuit current	I_{sc}	A	9.16	9.23	9.31	9.38	9.44	9.49	9.52
Module Efficiency	Eff.	%	16.23	16.49	16.74	17.00	17.26	17.52	17.78

STC: 1000W/m² irradiance, 25°C cell temperature, AM 1.5g spectrum according to EN 60904-3.
Power measurement uncertainty is within +/- 3%

THERMAL CHARACTERISTICS

Nominal operating cell temperature	NOCT	°C	45±2
Temperature coefficient of Pmax	ν	%/°C	-0.40
Temperature coefficient of Voc	β_{Voc}	%/°C	-0.30
Temperature coefficient of Isc	α_{Isc}	%/°C	+0.06

OPERATING CONDITIONS

Max. system voltage	1000V _{oc}
Limiting reverse current	15A
Operating temperature range	-40°C to 85°C
Max. static load front (e.g., snow)	5400Pa
Max. static load back (e.g., wind)	2400Pa

MECHANICAL CHARACTERISTICS

Front cover (material / thickness)	low-iron tempered glass / 3.2mm
Backsheet (color)	white / black
Cell (quantity / material / dimensions)	72 / polycrystalline silicon / 156.75×156.75mm
Frame (material / color)	anodized aluminum alloy / silver
Junction box (protection degree)	≥IP67
Cables & Plug connectors	900mm / 4mm ² & MC4 compatible / IP67
Module Dimensions (L / W / H)	1956mm x 992mm x 40mm
Module Weight	21.6kg

PACKING DETAILS

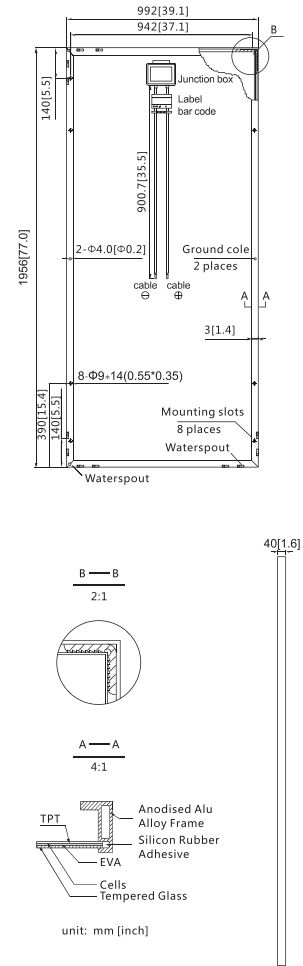
Container	20'GP	40'HQ
Pieces per pallet	54	60
Pallets per container	5	11
Pieces per container	270	660

Perlight Partners



PERLIGHT
smart.black

Module Diagram:



Electrical Curves:

