

South African Modules

Local content compliant
Supports local job creation
South African Owned
Locally Guaranteed

OUR APPROACH

ARTsolar believes high quality solar power should be produced locally at globally competitive pricing. Meticulous manufacturing, testing and quality assurance standards, TÜV certified raw materials and an in-house developed MES system ensures consistent traceable quality.

Local Support

Designed for the African climate:

- 3800 pa wind & 5400 pa mechanical loads
- High temperature operation
- Easy module replacement
- Shipping within Southern Africa
- Quality control and traceability by PVflow®

Certifications

- TÜV SÜD & Rheinland, ISO 9001:2015
- CSA, IEC 61730 and IEC 61215
- State of the ART Swiss production facility
- Earth leakage tested to 3600V DC
- Double Electro-Luminescence (EL) tested
- Built for export to Europe



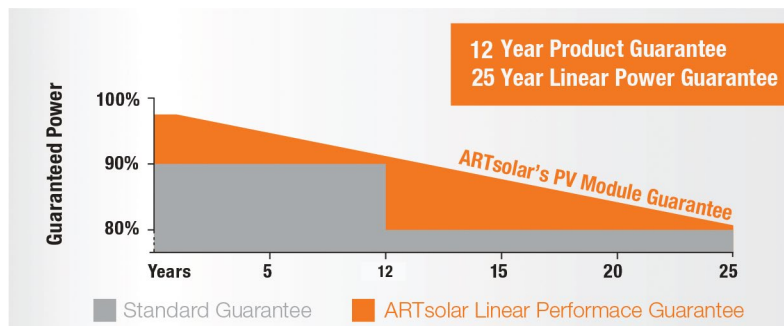
**350Wp Si-Mono (72 Cell)
Full Black Design**



**280Wp Si-Mono (60 Cell)
Full Black Design**

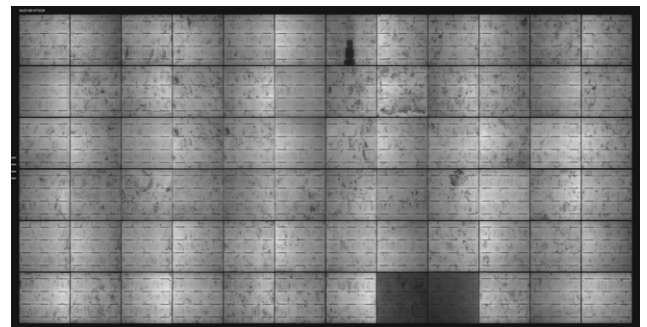
Locally Guaranteed

- 12 year construction warranty
- 25 year linear power output guarantee



Multiple Electro-Luminescence (EL) Tested

- Multiple EL tests throughout the production line
- EL Images can be requested with each purchase



Make sure your PV module doesn't look like this. An EL looks like an X-ray which spots cracks and power loss areas invisible to the naked eye.

South African Modules

Local content compliant
 Supports local job creation
 South African Owned
 Locally Guaranteed

MODULE DESIGN

Module Dimensions and Weights

72 Cell - 1956 x 992 x 40mm (21kg)

60 Cell - 1640 x 992 x 40mm (18kg)

SPECIFICATIONS

Solar Cells: 5 bus-bar, monocrystalline

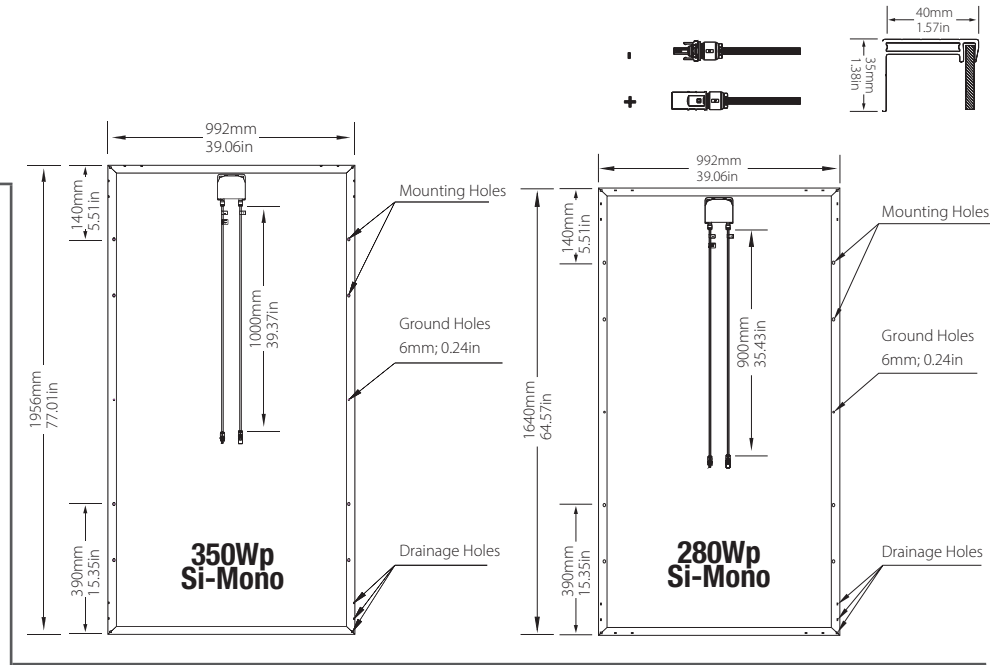
Solar Glass: 3.2mm, tempered, low iron, high transparency solar safety glass.

Encapsulation: EVA

Backsheet: Black

Frame: Extruded, black anodized aluminium

Junction Box: IP67 rated, 900mm cable, MC4 standard connectors



Electrical Data @ STC

Design	Pmax(Wp)	Vmp	Imp	Voc	Isc	Eff
60 Cell	280 Wp	31.3V	8.96A	39.1V	9.50A	17.2%
72 Cell	350 Wp	38.6V	9.07A	46.9V	9.51A	18.0%

Electrical Data @ NOCT

Design	Pmax(wp)	Vmp	Imp	Voc	Isc
60 Cell	215 Wp	29.8V	7.21A	36.1V	7.74A
72 Cell	255 Wp	35.7V	7.15A	43.1V	7.68A

STC - Irradiance 1000 W/m², cell temp @ 25°C

NOCT - Irradiance 800 W/m², cell temp @ 20°C

KEY

Pmax(Wp) - maximum power, **Vmp** - voltage at max power, **Voc** - open circuit voltage, **Isc** - short circuit current

Imp - max power current, **Eff** - module efficiency (%)

STC - Standard Test Conditions

NOCT - Nominal Operating Cell Temperature

* Figures are typical values of performance. Slight variances do occur, exact specifications available with each module,

Temperature Ratings

Nominal Operating Cell Temp	45°C (±2°C)
Temp coefficient of Pmax	-0.39%/°C
Temp coefficient of Voc	-0.31%/°C
Temp coefficient of Isc	0.03%/°C

Maximum Ratings

Operational Temp	-40 to +85°C
Max system Voltage	1000V DC (IEC)
Max Series Fuse Rating	15A
Mechanical Load	5400pa