

POLY CRYSTALLINE MODULE

310 / 315 / 320 / 325 / 330 / 335 / 340 / 345 / 350 / 355 Watts

Amur Leopard

Overview

A fully certified, premium quality and high efficiency module made with A Grade materials. Guaranteed positive tolerance of up to 5W, providing a higher output compared to our leading competitors.

Key Benefits



Certified by Independent Engineering Bodies



Product Liability Insurance



Engineered in EU



15 Years Limited Product Warranty



Anti-PID Technology



Low Carbon Footprint



Guaranteed mechanical resistance to severe weather conditions



Guaranteed Positive Tolerance up to 5W



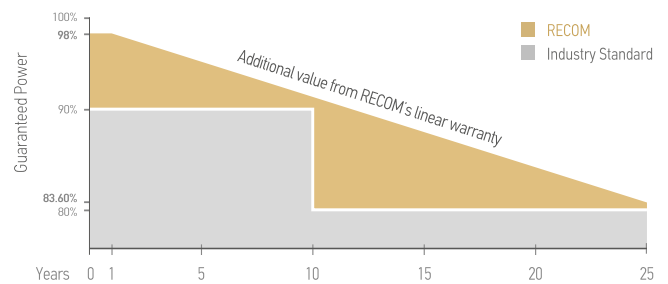
100 % electro-luminescence tested

Tests, Certifications and Warranties

Standard Tests	UL1703, IEC 61215, IEC 61730
Factory Quality Tests	ISO 9001: 2008, ISO 14001: 2004, ISO17025: 2005
Certifications	Fire Rating Type 1, conformity to CE, PV CYCLE
Insurance	Product liability insurance provided by Allianz
Wind and Snow Loads Testing	Module certified to withstand extreme wind (2400 Pascal) and snow loads (5400 Pascal)
Positive Tolerance	Guaranteed positive tolerance of up to 5W
Junction Box	IP67 Rated, 3 diodes

Warranties	<ul style="list-style-type: none"> • 15-year limited product warranty • 15-year manufacturer warranty on 88.55% of the nominal performance • 25-year transferable linear power output warranty
------------	---

Linear Performance Warranty



First Year Output $\geq 98\%$ 2-24 Year Decline $\leq 0.60\%$ 25 Year Output $\geq 83.60\%$

POLY CRYSTALLINE MODULE

RCM-xxx-6PA (xxx=310-355)

Electrical Characteristics

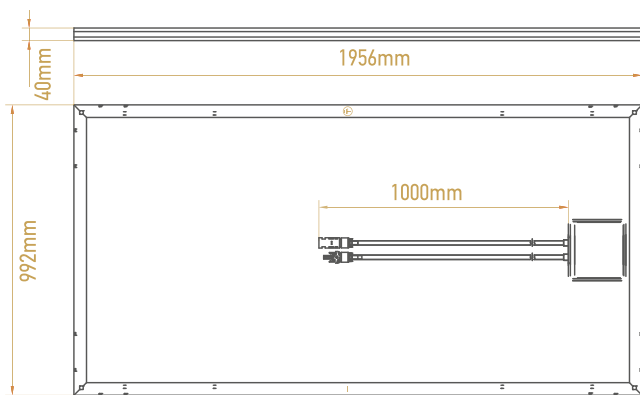
Rated Power	310W	315W	320W	325W	330W	335W	340W	345W	350W	355W
Power Tolerance	0~+5W	0~+5W	0~+5W	0~+5W	0~+5W	0~+5W	0~+5W	0~+5W	0~+5W	0~+5W
Maximum Power Voltage (Vmp)	36.99V	37.19V	37.28V	37.35V	37.43V	37.54V	37.69V	37.97V	38.22V	38.47V
Maximum Power Current (Imp)	8.39A	8.47A	8.59A	8.71A	8.82A	8.93A	9.03A	9.09A	9.17A	9.24A
Open Circuit Voltage (Voc)	45.66V	45.95V	46.22V	46.42V	46.55V	46.81V	47.07V	47.33V	47.58V	47.83V
Short Circuit Current (Isc)	8.89A	8.98A	9.06A	9.28A	9.49A	9.54A	9.59A	9.64A	9.71A	9.79A
Module Efficiency	15.98%	16.23%	16.49%	16.75%	17.01%	17.26%	17.52%	17.78%	18.04%	18.30%
Maximum Series Fuse	15A	15A	15A	15A	15A	15A	15A	15A	15A	15A
Maximum System Voltage	1.000 VDC (IEC) - 1.000 VDC (UL) / 1.500 VDC (upon request)									

Tested at Standard Test Conditions. Measurement tolerances: $\pm 3\%$

Mechanical Data

Dimensions	1956mm x 992mm x 40mm
Weight	24.0 Kg
Frame	Anodized aluminum
Front Glass	3.2mm ARC, low iron, tempered glass
Output Cables	TUV (2Pfg1169:2007), UL 4703, UL44 4.0mm ² (0.006 in ²), symmetrical lengths (-) 1000mm and (+) 1000mm, MC4 type connectors

Dimensions



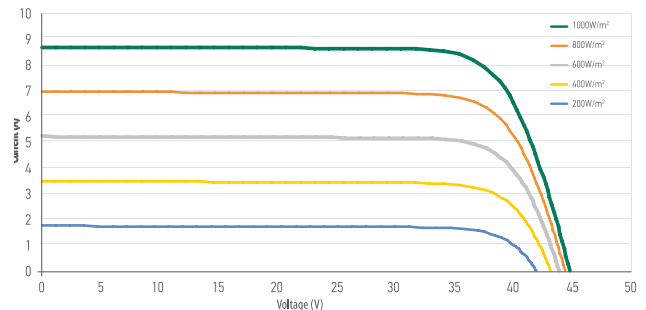
**Release 2019-01, v6.2.

RECOM assumes no liability or responsibility for any typographical error, layout error, misinformation, any other error, omission, contained herein.

recom-solar.com

I-V Curve

The module relative power loss at low light irradiance of 200W/m² is less than 3%.



Temperature Characteristics

Pmax Temperature Coefficient	-0.40% / °C
Voc Temperature Coefficient	-0.30% / °C
Isc Temperature Coefficient	+0.05% / °C
Operating Temperature	-40~+85 °C
Nominal Operating Cell Temperature (NOCT)	45 \pm 2 °C

Packing Configuration

Container	40'HC
Pieces per Pallet	26
Pallets per Container	22
Pieces per Container	572

The specification and key features described in this datasheet may deviate slightly and are not guaranteed. Due to on-going innovation, research and product enhancement, RECOM Solar reserves the right to make any adjustment to the information described herein at any time without notice. Please always obtain the most recent version of the datasheet which shall be duly incorporated into the binding contract made by the parties governing all transactions related to the purchase and sale of the products described herein. Please read the safety and installation instructions before using the modules.