

## POLY CRYSTALLINE MODULE

265 / 270 / 275 / 280 / 285 / 290 / 295 / 300 Watts

# Amur Leopard

## Overview

A fully certified, premium quality and high efficiency module made with A Grade materials. Guaranteed positive tolerance of up to 5W, providing a higher output compared to our leading competitors.

## Key Benefits



Certified by Independent Engineering Bodies



Product Liability Insurance



Engineered in EU



15 Years Limited Product Warranty



Anti-PID Technology



Low Carbon Footprint



Guaranteed mechanical resistance to severe weather conditions



Guaranteed Positive Tolerance up to 5W



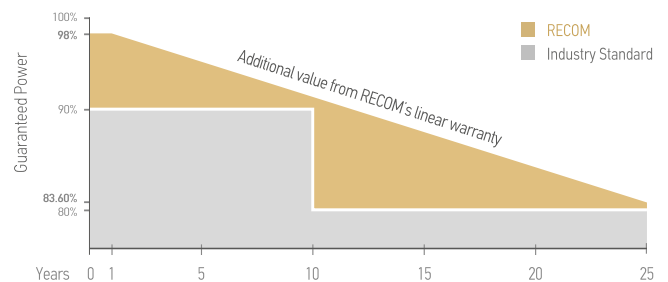
100 % electro-luminescence tested

## Tests, Certifications and Warranties

Standard Tests	UL1703, IEC 61215, IEC 61730
Factory Quality Tests	ISO 9001: 2008, ISO 14001: 2004, ISO17025: 2005
Certifications	Fire Rating Type 1, conformity to CE, PV CYCLE
Insurance	Product liability insurance provided by Allianz
Wind and Snow Loads Testing	Module certified to withstand extreme wind (2400 Pascal) and snow loads (5400 Pascal)
Positive Tolerance	Guaranteed positive tolerance of up to 5W
Junction Box	IP67 Rated, 3 diodes

- Warranties
- 15-year limited product warranty
  - 15-year manufacturer warranty on 88.55% of the nominal performance
  - 25-year transferable linear power output warranty

## Linear Performance Warranty



First Year Output  $\geq 98\%$     2-24 Year Decline  $\leq 0.60\%$     25 Year Output  $\geq 83.60\%$

## POLY CRYSTALLINE MODULE

RCM-xxx-6PB (xxx=265-300)

### Electrical Characteristics

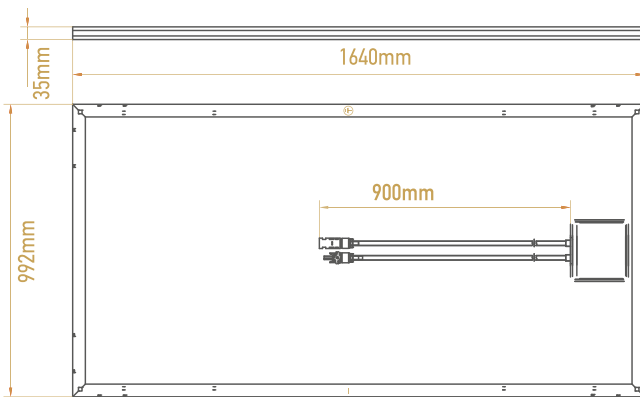
Rated Power	265W	270W	275W	280W	285W	290W	295W	300W
Power Tolerance	0~+5W	0~+5W	0~+5W	0~+5W	0~+5W	0~+5W	0~+5W	0~+5W
Maximum Power Voltage (Vmp)	31.10V	31.40V	31.57V	31.69V	31.85V	31.96V	32.19V	32.41V
Maximum Power Current (Imp)	8.55A	8.63A	8.72A	8.84A	8.95A	9.08A	9.17A	9.26A
Open Circuit Voltage (Voc)	38.20V	38.60V	38.70V	38.78V	38.87V	39.19V	39.48V	39.76V
Short Circuit Current (Isc)	8.96A	9.13A	9.21A	9.32A	9.41A	9.63A	9.70A	9.77A
Module Efficiency	16.29%	16.60%	16.90%	17.21%	17.52%	17.83%	18.13%	18.44%
Maximum Series Fuse	15A	15A	15A	15A	15A	15A	15A	15A
Maximum System Voltage	1.000 VDC (IEC) - 1.000 VDC (UL) / 1.500 VDC (upon request)							

Tested at Standard Test Conditions. Measurement tolerances:  $\pm 3\%$

### Mechanical Data

Dimensions	1640mm x 992mm x 35mm
Weight	19.0 Kg
Frame	Anodized aluminum
Front Glass	3.2mm ARC, low iron, tempered glass
Output Cables	TUV (2Pfg1169:2007), UL 4703, UL44 4.0mm <sup>2</sup> (0.006 in <sup>2</sup> ), symmetrical lengths (-) 900mm and (+) 900mm, MC4 type connectors

### Dimensions



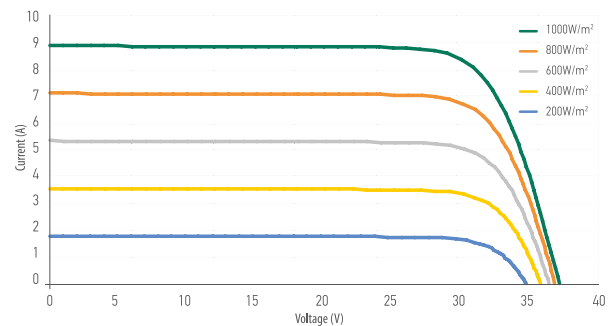
\*\*Release 2019-01, v6.2.

RECOM assumes no liability or responsibility for any typographical error, layout error, misinformation, any other error, omission, contained herein.

recom-solar.com

### I-V Curve

The module relative power loss at low light irradiance of 200W/m<sup>2</sup> is less than 3%.



### Temperature Characteristics

Pmax Temperature Coefficient	-0.40% / °C
Voc Temperature Coefficient	-0.33% / °C
Isc Temperature Coefficient	+0.058% / °C
Operating Temperature	-40~+85 °C
Nominal Operating Cell Temperature (NOCT)	45 $\pm$ 2 °C

### Packing Configuration

Container	40'HC
Pieces per Pallet	30
Pallets per Container	28
Pieces per Container	840

The specification and key features described in this datasheet may deviate slightly and are not guaranteed. Due to on-going innovation, research and product enhancement, RECOM Solar reserves the right to make any adjustment to the information described herein at any time without notice. Please always obtain the most recent version of the datasheet which shall be duly incorporated into the binding contract made by the parties governing all transactions related to the purchase and sale of the products described herein. Please read the safety and installation instructions before using the modules.