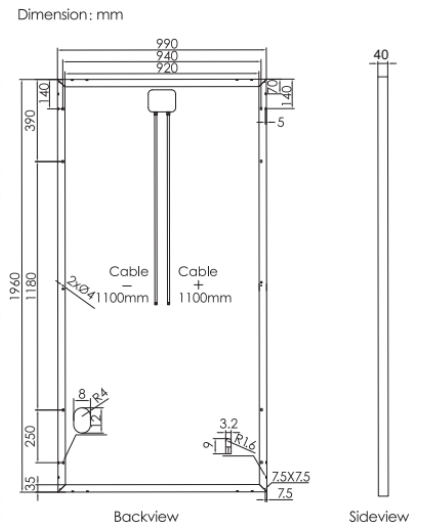


Mono Poly

## LP156\*156-M-72

### Rated Power 365-375W



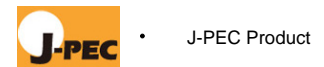
| Product Series        | LP156*156-M-72 |        |        |
|-----------------------|----------------|--------|--------|
| Power                 | 365W           | 370W   | 375W   |
| Open Circuit Voltage  | 47.88V         | 48.09V | 48.30V |
| Short Circuit Current | 9.84A          | 9.92A  | 10.04A |
| Maximum Power Voltage | 39.20V         | 39.40V | 39.60V |
| Maximum Power Current | 9.31A          | 9.39A  | 9.47A  |
| Module Efficiency     | 18.8%          | 19.1%  | 19.3%  |



•10-YEAR 90% Maximum Output

•25-YEAR 80% Maximum Output

| Product Characteristics |                 |                   |                                |
|-------------------------|-----------------|-------------------|--------------------------------|
| Weight                  | 21.5kg          | Junction Box      | IP67                           |
| Module Size             | 1960*990*40mm   | Frame             | Aluminum Alloy                 |
| Cell Amount             | 72 pcs          | Cable             | 4mm <sup>2</sup> ,Length1100mm |
| Cell Size               | 156.75*156.75mm | Connection        | (Compatible with)MC4           |
| Maximum System Voltage  | 1000/1500V      | Application Level | Class A                        |



- Salt Spray Certificate
- IEC61701 (Salt Mist Corrosion Test)

- TUV PID Certificate

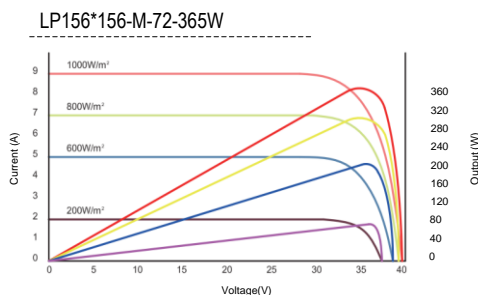
- TUV Certificate

| Packing Configuration |                               |                       |            |
|-----------------------|-------------------------------|-----------------------|------------|
| Modules/Pallet        | 26 pieces                     | Modules/40' container | 624 pieces |
| Packing Description   | 24 Pallets, Total=26 X 24=624 |                       |            |

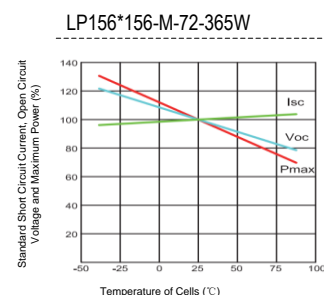
| Temperature Characteristics |           | Maximum Rating        |               |
|-----------------------------|-----------|-----------------------|---------------|
| NOCT                        | 45±2°C    | Output Tolerance      | 0~+3%W        |
| Temp Coefficient of ISC     | +0.06%/°C | Operating Temperature | -40°C ~+85°C  |
| Temp Coefficient of VOC     | -0.30%/°C | Wind Load/Snow Load   | 2400pa/5400pa |
| Temp Coefficient of Pmax    | -0.40%/°C | Fuse Current          | 15A           |

**365W**  
~  
**375W** •Output 365W-375W

Current - Voltage Curve at Various Light Levels



Output at Various Temperatures

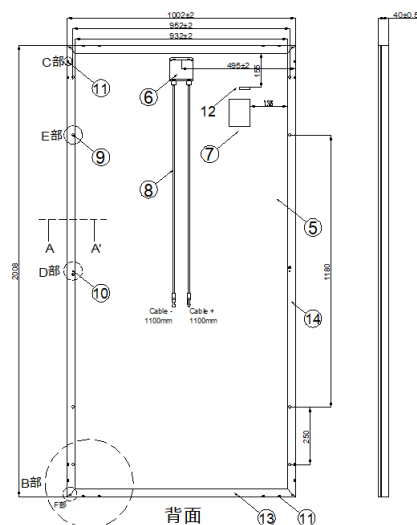


Mono

Poly

## LP156\*156-M-72

### Rated Power 380-390W



#### Product Series

LP156\*156-M-72

|                       | 380W   | 385W   | 390W   |
|-----------------------|--------|--------|--------|
| Power                 | 380W   | 385W   | 390W   |
| Open Circuit Voltage  | 48.51V | 48.70V | 48.90V |
| Short Circuit Current | 10.16A | 10.24A | 10.32A |
| Maximum Power Voltage | 39.80V | 40.00V | 40.20V |
| Maximum Power Current | 9.55A  | 9.63A  | 9.70A  |
| Module Efficiency     | 18.9%  | 19.1%  | 19.4%  |

#### Product Characteristics

|                        |                 |                   |                                  |
|------------------------|-----------------|-------------------|----------------------------------|
| Weight                 | 22.5kg          | Junction Box      | IP67                             |
| Module Size            | 2008*1002*40mm  | Frame             | Aluminum Alloy                   |
| Cell Amount            | 72 pcs          | Cable             | 4mm <sup>2</sup> , Length 1100mm |
| Cell Size              | 158.75*158.75mm | Connection        | (Compatible with)MC4             |
| Maximum System Voltage | 1000/1500V      | Application Level | Class A                          |

#### Packing Configuration

|                     |                               |                       |            |
|---------------------|-------------------------------|-----------------------|------------|
| Modules/Pallet      | 26 pieces                     | Modules/40' container | 572 pieces |
| Packing Description | 22 Pallets, Total=26 X 22=572 |                       |            |

#### Temperature Characteristics

|                          |           |                       |               |
|--------------------------|-----------|-----------------------|---------------|
| NOCT                     | 45±2°C    | Maximum Rating        |               |
| Temp Coefficient of ISC  | +0.06%/°C | Output Tolerance      | 0~+3%W        |
| Temp Coefficient of VOC  | -0.30%/°C | Operating Temperature | -40°C~+85°C   |
| Temp Coefficient of Pmax | -0.40%/°C | Wind Load/Snow Load   | 2400pa/5400pa |
|                          |           | Fuse Current          | 15A           |



•10-YEAR 90% Maximum Output

•25-YEAR 80% Maximum Output



• J-PEC Product



• Salt Spray Certificate  
• IEC61701  
(Salt Mist Corrosion Test)



• TUV PID Certificate

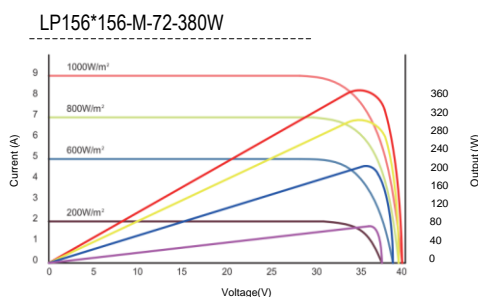


• TUV Certificate

**380W**  
~  
**390W**

• Output 380W-390W

Current - Voltage Curve at Various Light Levels



Output at Various Temperatures

