

**Bifacial Half-cell Series  
Mono Module**

**SR-M660HB**      SR-M660305HB  
 SR-M660310HB  
 SR-M660315HB  
 SR-M660320HB  
 SR-M660325HB  
 SR-M660330HB

**305~330W**



0~3% positive tolerance



3.2mm high transmission,  
low iron tempered AR glass



Better performance under  
low light environment



Withstand wind loads  
up to 2400Pa and snow  
loads up to 5400Pa

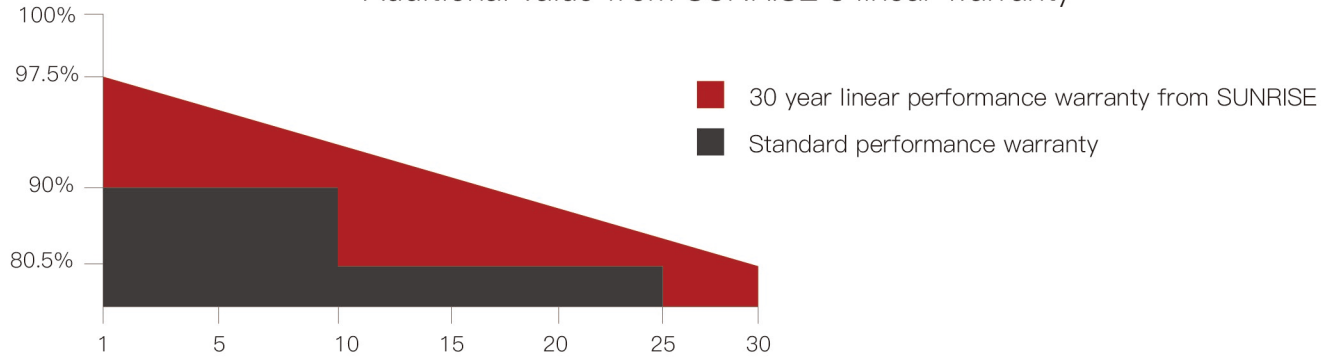


30 year leading linear  
performance warranty



PID-free

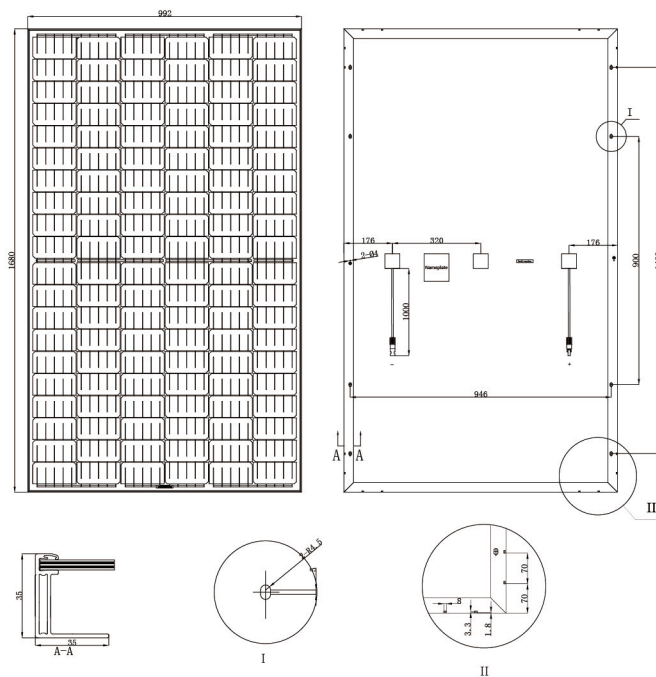
Additional value from SUNRISE's linear warranty



Module Type		SR-M660305HB	SR-M660310HB	SR-M660315HB	SR-M660320HB	SR-SRM660325HB	SR-SRM660330HB
Test Environment		STC NOCT	STC NOCT	STC NOCT	STC NOCT	STC NOCT	STC NOCT
Tolerance	(%)	0~+3		0~+3		0~+3	
Module Efficiency	(%)	18.34		18.64		19.8	
Maximum Power	Pmax(W)	305	227	310	230	315	233
Open Circuit Voltage	Voc(V)	39.93	37.4	40.41	37.63	40.75	37.95
Short Circuit Current	Isc(A)	9.84	7.95	9.9	8.02	9.97	8.08
Maximum Power Voltage	Vm(V)	33.02	30.59	33.31	30.74	33.59	31
Maximum Power Current	Im(A)	9.29	7.45	9.36	7.51	9.42	7.56
Cell Type	(mm)	156.75×78.375(Mono-Crystalline Silicon)					
Number of Cells	(Pcs)	120(6×20)					
Maximum System Voltage	(V)	DC1000					
Temp. Coeff. of Voc	(%/°C)	-0.35					
Temp. Coeff. of Isc	(%/°C)	0.05					
Temp. Coeff. of Pm	(%/°C)	-0.45					
Operating Temperature	°C	-40 to 85					
Nominal Operating Cell Temperature (NOCT)	°C	45±2					
Max. Series Fuse	(A)	15					
Pressure Bearing	(Pa)	5400					
Wind Bearing	(Pa)	2400					

STC:Irradiance 1000W/m<sup>2</sup>,Cell temperature 25°C , AM1.5  
 NOCT:Irradiance 800W/m<sup>2</sup>,Ambient temperature 20°C ,Wind speed 1m/s

## ENGINEERING DRAWINGS

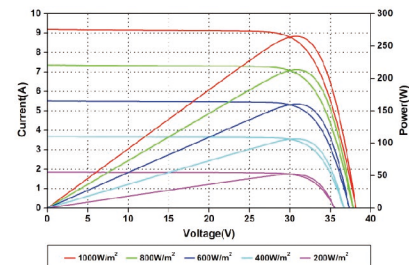


Manufactured in China

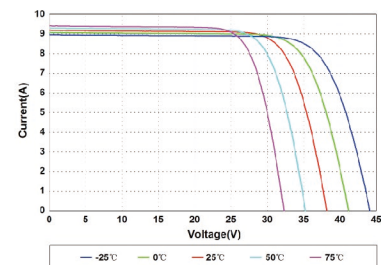
## MATERIAL DETAILS

Frame	Anodized aluminum
Glass	3.2mm low-iron tempered sudee glass
Cell	6×20 pcs 156.75x78.375mm mono solar cell
Junction Box	Rated Current≥15A,Ip≥67,TUV & UL
Cable&Connector	4mm <sup>2</sup> .MC4 or MC4 compatible

## IV CURVES



Current-Voltage and Power-Voltage Curves at Different Irradiances



Current-Voltage Curves at Different Temperatures

## PACKING DETAILS

Dimension	(mm)	1680×992×35
Weight	(kg)	19.2
Loading Capacity		360 pcs/20'GP 858 pcs/40'HC
Packing	pcs/pallet	30