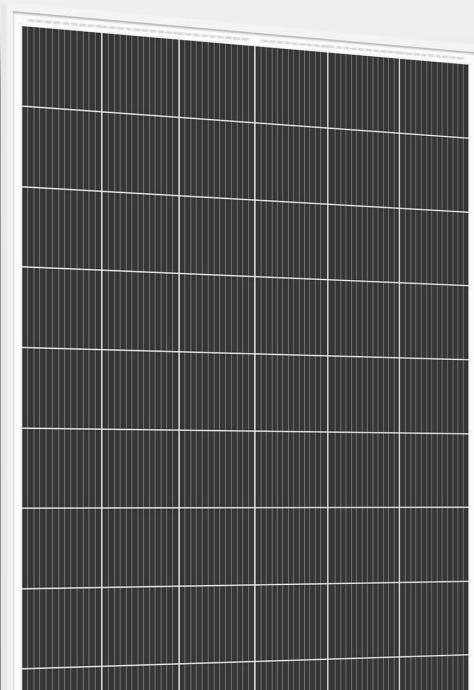


LATEST



### L Series Cast-mono Solar Module

SR-M660L	SR-M660300L
300~320W	SR-M660305L
	SR-M660310L
	SR-M660315L
	SR-M660320L



Reduce BOS cost



Combined with 12BB technology



Low light induced degradation



Withstand wind loads up to 2400Pa and snow loads up to 5400Pa

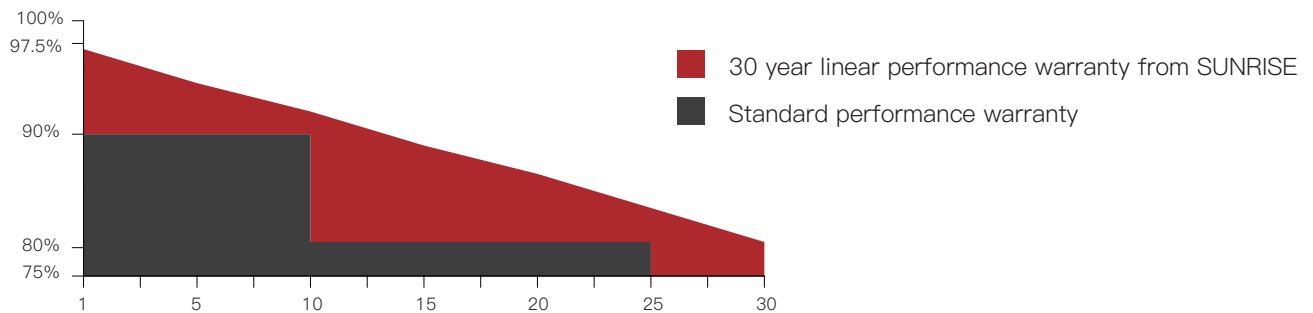


0~3% positive tolerance



PID-free

### Additional value from SUNRISE linear warranty



SUNRISE ENERGY CO., LTD

TEL:+86-519-81688389

Web:www.sunriseenergy.cn

E-mail:info@sunriseenergy.cn

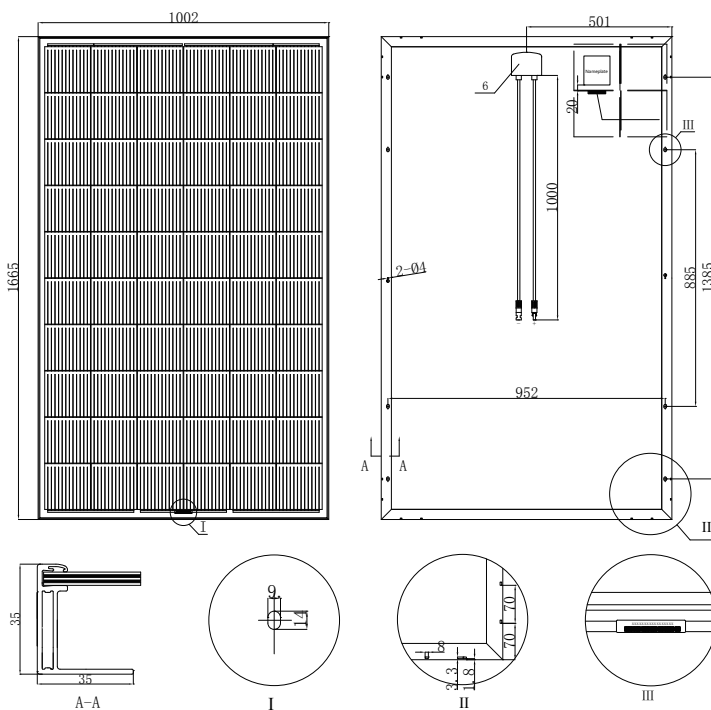
ADD:No.20 Tongzi River West Road, Zhonglou Development Zone, Changzhou, Jiangsu

Module Type		SR - M660300L		SR - M660305L		SR - M660310L		SR - M660315L		SR - M660320L	
Test Environment		STC	NOCT	STC	NOCT	STC	NOCT	STC	NOCT	STC	NOCT
Tolerance	(%)	0~+3		0~+3		0~+3		0~+3		0~+3	
Module Efficiency	(%)	17.99		18.29		18.59		18.88		19.18	
Maximum Power	P <sub>max</sub> (W)	300	226	305	229	310	233	315	237	320	241
Open Circuit Voltage	V <sub>oc</sub> (V)	39.91	36.91	40.17	37.16	40.4	37.37	40.65	37.6	40.88	37.81
Short Circuit Current	I <sub>sc</sub> (A)	9.75	8.1	9.84	8.17	9.89	8.21	10.05	8.34	10.16	8.43
Maximum Power Voltage	V <sub>m</sub> (V)	32.63	30.67	32.84	30.86	33.03	31.04	33.23	31.23	33.43	31.42
Maximum Power Current	I <sub>m</sub> (A)	9.2	7.3	9.29	7.37	9.39	7.45	9.48	7.52	9.58	7.6
Cell Type	(mm)	158.75×158.75(12BB Cast Mono-Crystalline Silicon)									
Number of Cells	(Pcs)	60(6×10)									
Maximum System Voltage	(V)	DC1000									
Temp. Coeff. of Voc	(%/°C)	-0.35									
Temp. Coeff. of Isc	(%/°C)	0.05									
Temp. Coeff. of P <sub>m</sub>	(%/°C)	-0.45									
Operating Temperature	°C	-40 to 85									
Nominal Operating Cell Temperature (NOCT)	°C	45±2									
Max. Series Fuse	(A)	15									
Pressure Bearing	(Pa)	5400									
Wind Bearing	(Pa)	2400									

STC: Irradiance 1000W/m<sup>2</sup>, Cell temperature 25°C, AM1.5

NOCT: Irradiance 800W/m<sup>2</sup>, Ambient temperature 20°C, Wind speed 1m/s

## ENGINEERING DRAWINGS

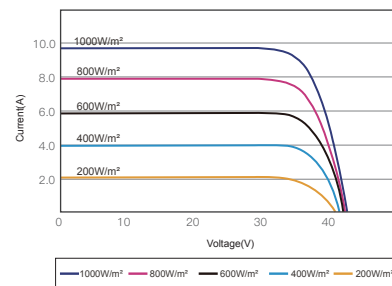


Manufactured in China

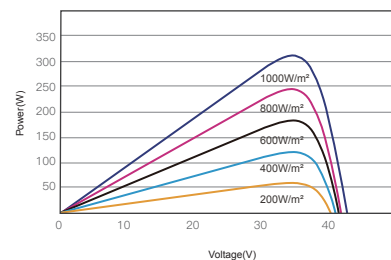
## MATERIAL DETAILS

Frame	Anodized aluminum
Glass	3.2mm low-iron tempered sudee glass
Cell	6×10 pcs 158.75mm mono solar cell
Junction Box	Rated Current ≥15A, I <sub>p</sub> ≥67, TUV & UL
Cable&Connector	4mm <sup>2</sup> , MC4 or MC4 compatible

## IV CURVES



I-V CURVES OF PV MODULE(310W)



P-V CURVES OF PV MODULE(310W)

## PACKING DETAILS

Dimension	(mm)	1665×1002×35
Weight	(kg)	19
Loading Capacity		348 pcs/20'GP    924 pcs/40'HC
Packing	pcs/pallet	30