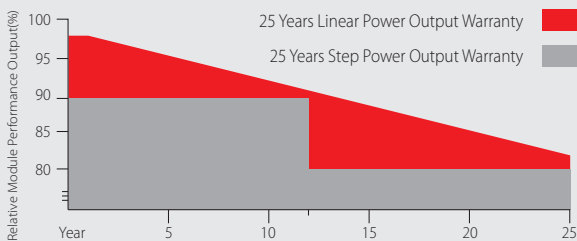
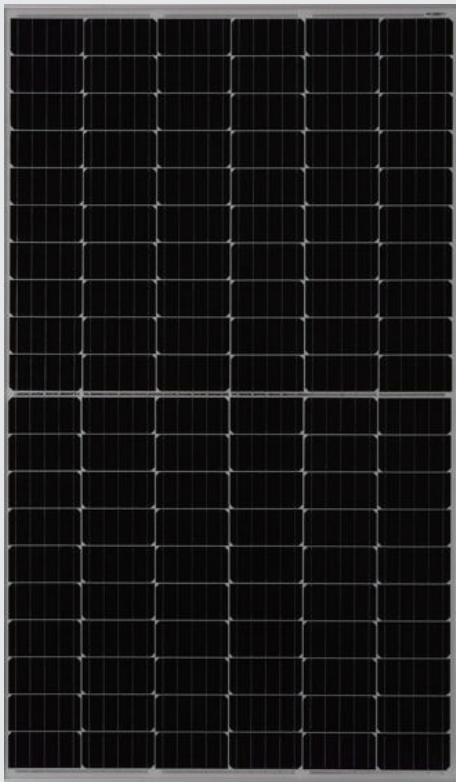


Einnova Solarline

invented for solar



Half cut Mono crystalline Solar Module

ESM 310/315/320/325/330/335H

FEATURES

- Positive power tolerance up to 5w
- Heavy snow load up to 5400 Pa and wind load up to 3800Pa
- IP68 junction box is available for long term weather endurance
- Salt mist, ammonia and blowing sand resistance, apply to seaside, farm and desert areas
- Selective materials and rigid process effectively control Potential Induced Degradation (PID)
- Total quality control and complete traceability of Material by Shop Floor Control (SFC)

WARRANTY

- 12 Years Product Workmanship Warranty
- 12 Years Minimum 90% Power Output
- 25 Years Minimum 80% Power Output

China Jiangsu
International Group Ltd.

5 West Beijing Road,
Nanjing, 210008, China

+86-(0)25-84792033
+86-(0)25-84705923

info@einnova-solarline.com
www.einnova-solarline.com

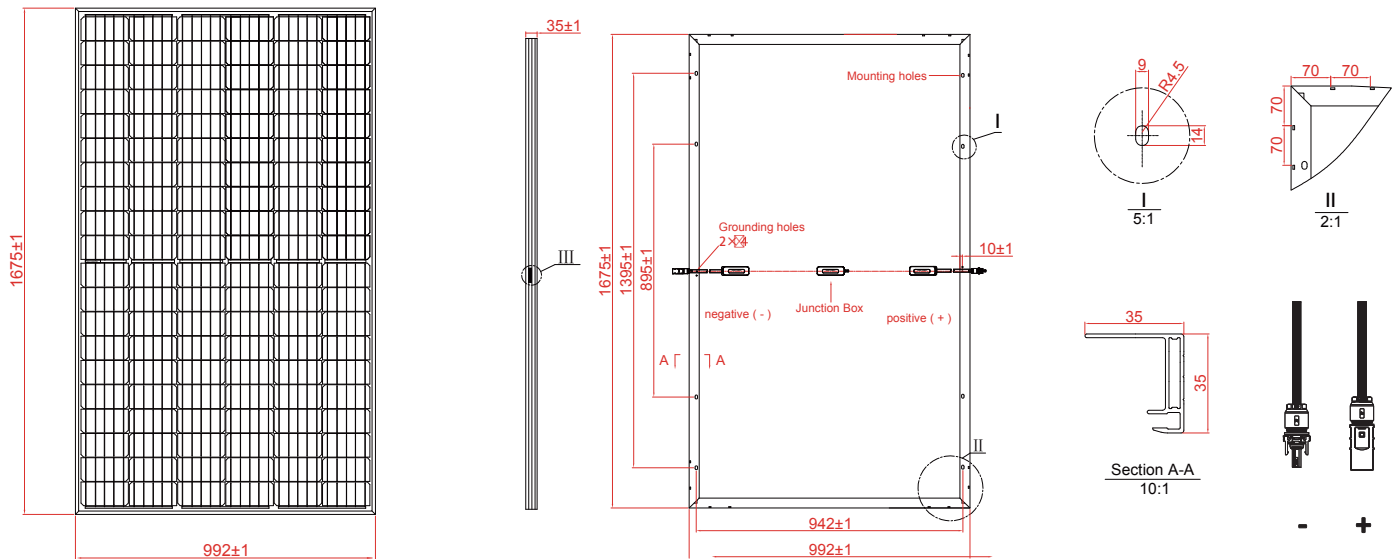
EN

The specifications are subject to change without prior notice.

Half cut Mono crystalline Solar Module

ESM 310/315/320/325/330/335H

Einnova Solarline
invented for solar



Electrical Specification

| Model Type | Unit | ESM 310H | ESM 315H | ESM 320H | ESM 325H | ESM 330H | ESM 335H |
|-----------------------------|------|-------------------------|----------|----------|----------|----------|----------|
| Maximum Power (Pmax) | W | 310 | 315 | 320 | 325 | 330 | 335 |
| Module Efficiency | % | 18.7 | 19.0 | 19.3 | 19.6 | 19.9 | 20.2 |
| Open Circuit Voltage (Voc) | V | 40.09 | 40.15 | 40.20 | 40.25 | 40.30 | 40.35 |
| Short Circuit Current (Isc) | A | 9.86 | 10.00 | 10.14 | 10.28 | 10.42 | 10.56 |
| Maximum Power Voltage (Vmp) | V | 33.09 | 33.18 | 33.26 | 33.34 | 33.43 | 33.51 |
| Maximum Power Current (Imp) | A | 9.37 | 9.49 | 9.62 | 9.75 | 9.87 | 10.00 |
| Maximum System Voltage | V | ICE 1000VDC/UL1500(VDC) | | | | | |
| Maximum Series Fuse Rating | A | 18 | | | | | |

Standard Test Conditions (STC) of irradiance of 1000 W/m², spectrum AM 1.5 and cell temperature of 25°C.

The NOCT is obtained under the Test Conditions: 800W/m², 20°C ambient temperature, AM 1.5 Spectrum, 1m/s wind speed.

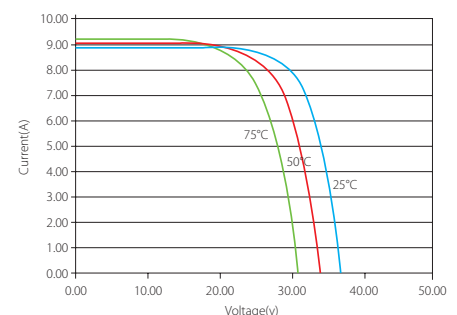
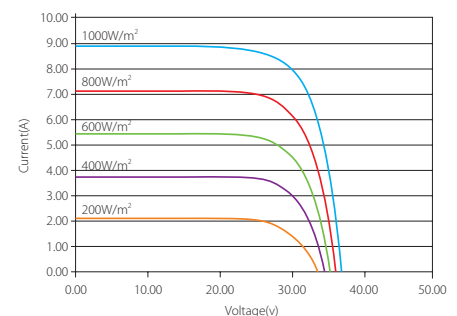
Mechanical Specification

| | |
|----------------------------------|----------------------------|
| Module Dimension (mm) | 1675×992×35 |
| Cell Dimension (mm) | 156.75 x 78.375 |
| Number of Cell | 120 |
| Weight (kgs) | 19kg |
| Maximum Load (TUV) (Pascal) | 5400 |
| Junction Box and Cable connector | IP68 rated; MC4 compatible |
| Back-sheet Color | White or Black |
| Frame Color | Silver or Black |

Temperature Characteristics

| | |
|---|--------------|
| Nominal Operating Cell Temperature (NOCT) | 45 +/- 2 °C |
| Temperature Coefficient (Pmax) | -0.367% / °C |
| Temperature Coefficient (Voc) | -0.320% / °C |
| Temperature Coefficient (Isc) | 0.107% / °C |
| Operating Temperature | -40~85 °C |

IV CURVE



The specifications are subject to change without prior notice.