



Maysun Solar

Polycrystalline PV Module

MS(260-290)P-60 Series

- ▶ High PID resist performance
- ▶ Excellent low light performance with advanced surface texturing and back surface field.
- ▶ Multi-busbar design decreases the risk of the cell micro-cracks and fingers broken.
- ▶ Lower series resistance/improved light harvesting enable high conversion efficiency and more power output.

260 270 275 280 285 290 System voltage 1000V/1500V standard EN

ELECTRICAL SPECIFICATIONS

STC rated output (P _{mpp})*	260 Wp	270 Wp	275 Wp	280 Wp	285 Wp	290 Wp
PV Module size	1650*992*35 MM					
Standard sorted output						
Warranted power output STC (P _{nominal})	260 Wp	270 Wp	275 Wp	280 Wp	285 Wp	290 Wp
Rated voltage (V _{mpp}) at STC	30.88 V	31.08 V	31.12 V	31.16 V	31.50 V	31.71 V
Rated current (I _{mpp}) at STC	8.43 A	8.70 A	8.85 A	8.99 A	9.05 A	9.15 A
Open circuit voltage (V _{oc}) at STC	37.72 V	38.00 V	38.45 V	38.85 V	38.70 V	39.05 V
Short circuit current (I _{sc}) at STC	8.95A	9.45 A	9.52 A	9.67 A	9.72 A	9.87 A
Module efficiency	16.0%	16.6%	16.9%	17.2%	17.5%	17.9%
Rated output (P _{mpp}) at NOCT	195.0 Wp	202.5 Wp	206.3 Wp	210.1 Wp	216.3 Wp	220.6 Wp
Rated voltage (V _{mpp}) at NOCT	27.94 V	28.12 V	28.15 V	28.17 V	28.75 V	28.17 V
Rated current (I _{mpp}) at NOCT	6.98 A	7.20 A	7.33 A	7.46 A	7.53 A	7.76 A
Open circuit voltage (V _{oc}) at NOCT	34.46 V	34.71 V	35.13 V	35.16 V	35.53 V	35.76 V
Short circuit current (I _{sc}) at NOCT	7.54 A	7.96 A	8.02 A	8.09 A	8.12 A	8.19 A

Temperature coefficient (P _{mpp})	- 0.407%/K	Maximum system voltage (IEC)	1000V _{dc} / 1500V _{dc}
Temperature coefficient (I _{sc})	+0.049%/K	Number of diodes	3
Temperature coefficient (I _{mpp})	- 0.000%/K	Maximum series fuse rating	15 A
Temperature coefficient (V _{mpp})	- 0.408%/K		
Temperature coefficient (V _{oc})	- 0.310%/K		
Normal operating cell temperature (NOCT)	43±2°C		

* Measurement tolerance +/- 3%



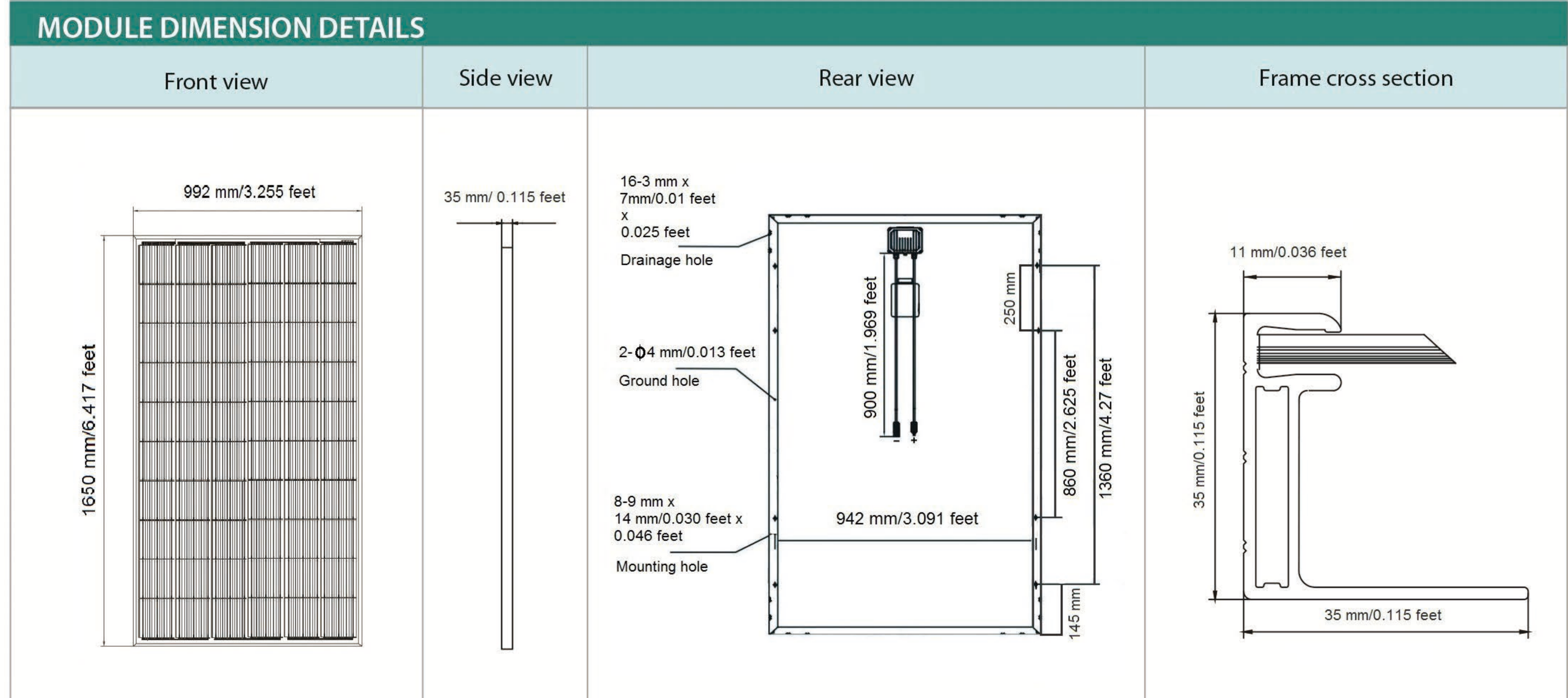
RELATED PARAMETERS

Cell type	Polycrystalline
Number of cells / cell arrangement	60 / 6 x10
Cells dimension	6"
Packing unit	30 modules
Weight of packing unit (for container)	557 kg / 1228 lbs

MECHANICAL SPECIFICATIONS

Outer dimensions (L x W x H)	1650 x 992 x 35 mm 64.96 x 39.06 x 1.38 in
Frame technology	Aluminum, silver anodized
Module composition	Glass / EVA / Backsheet (white)
Weight (module only)	18 kg / 39.68 lbs
Front glass thickness	3.2 mm / 0.13 in
Junction box IP rating	IP 65/67
① Cable length(IEC)	600/900 mm / 23.62/35.43 in
Cable diameter (IEC)	12 AWG /4 mm ²
② Maximum load capacity	5400 Pa
Fire performance (IEC)	Class C
Connector type (IEC)	MC4 compatible

Refer to Maysun Solar crystalline installation manual.

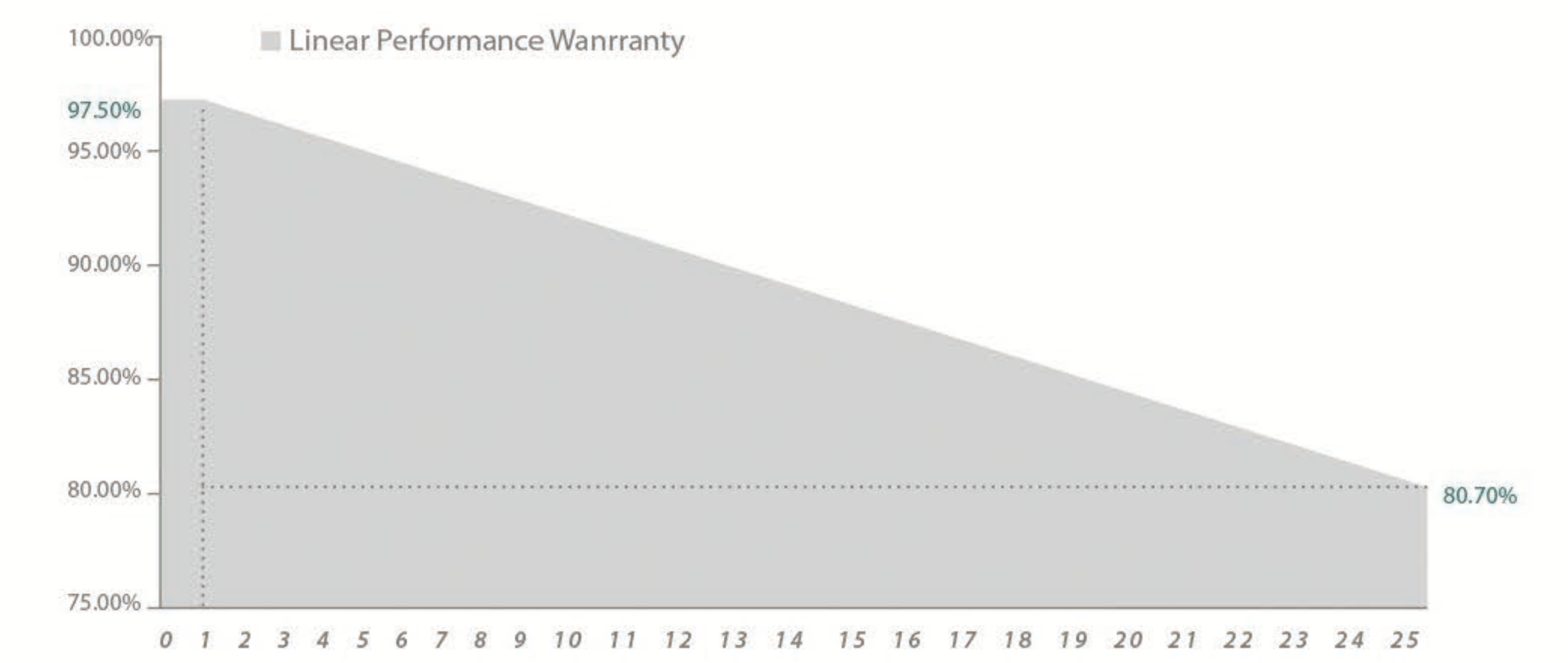


Maysun Solar FZCO Reserves the right of final interpretation. Specifications and designs included in this datasheet are subject to change without notice.

Maysun Solar FZCO
Address: No.FZS2AB01, Jebel Ali, Dubai, UAE
Website: www.maysunsolar.com

QUALIFICATION AND LINEAR WARRANTIES

Product standard	IEC61215, 61730
Extended product warranty	12 years
Output decline 3%/year performance P _{mpp} (STC)	1 st year
Output decline 0.7%/year performance P _{mpp} (STC)	2 nd - 25 th years



I-V Curves of PV module MS260P-60 at various solar irradiance

