

* V means 1500V module

HT72-156P-M HT72-156P(V)-M

POWER OUTPUT

355W / 360W 365W / 370W / 375W



- Module Efficiency: 19.33%
- No of Cells: 72 (6 × 24)
- Weight: 22.5kg
- Dimension: 1920mm × 992mm × 40mm



● (Optional)
Design of Water
Leakage Trough

Polycrystalline
156.75 × 156.75mm

Shanghai Aerospace Automobile
Electromechanical Co., Ltd.
website: www.ht-saae.com



Factory :
Lianyungang ShenZhou New Energy Co., Ltd.
Turkey HT Solar Energy Joint Stock Company

10Ys
Products
Warranty



MBB The optimized number and width of main gate lines, Maximize the light receiving area of components and Reduce component power consumption

25Ys
Warranty on
power output



Designed for high voltage systems of up to 1500 VDC, increasing the string length of solar systems and saving on BoS costs

PID
PID Resistant

EL
Microcrack
resistant
Double glass
structure enhance
reliability, triple EL
tested of high
quality control.



All the modules are sorted and packaged by amperage, reducing mismatch losses and maximizing system output.



Entire module certified to with stand extreme wind (2400 Pa) and snow loads (5400 Pa)

5W

Positive tolerance 0/+5w guaranteed

Comprehensive and first-rate certification system

IEC61215: 2016, IEC61730: 2016 Latest Standard
ISO9001, ISO14001 and OHSAS18001,
meeting the highest international standards
Strict quality control

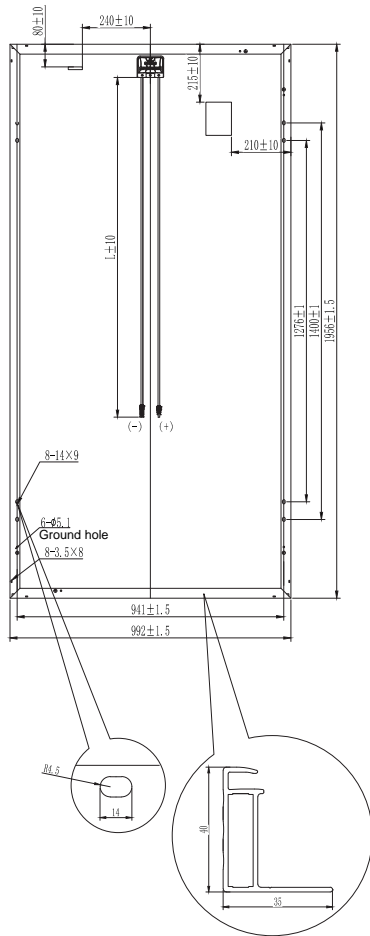


IEC 61215
IEC 61730
Regular Production
Surveillance
www.tuv.com

MULTIWAY

NEW

Engineering Drawing



Electrical Characteristics

Module	HT72-156P-M / HT72-156P(V)-M				
Maximum Power at STC(Pmax)	355W	360W	365W	370W	375W
Open-Circuit Voltage(Voc)	47.1V	47.3V	47.5V	47.7V	47.8V
Short-Circuit Current(Isc)	9.92A	10.02A	10.11A	10.21A	10.31A
Optimum Operating Voltage (Vmp)	39.4V	39.7V	40V	40.3V	40.6V
Optimum Operating Current(Imp)	9.02A	9.08A	9.13A	9.19A	9.25A
Module Efficiency	18.30%	18.55%	18.81%	19.07%	19.33%
Power Tolerance	0 ~ +5W				
Maximum System Voltage	1000V / 1500V DC(IEC)				
Maximum Series Fuse Rating	15A				
Operating Temperature	-40 °C to + 85 °C				

*STC: Irradiance 1000W/m², module temperature 25, AM=1.5
Optional black frame or white frame module according to customer requirements

NOCT

Module	HT72-156P-M / HT72-156P(V)-M				
Maximum Power	262W	273W	277W	266W	269W
Open Circuit Voltage (Voc)	44.2V	44.8V	44.9V	44.4V	44.6V
Short Circuit Current (Isc)	8.01A	8.25A	8.33A	8.09A	8.16A
Maximum Power Voltage (Vmp)	37V	37.8V	38.1V	37.3V	37.6V
Maximum Circuit Current (Imp)	7.08A	7.22	7.27	7.13	7.15
NOCT	45°C±2°C				

*NOCT: Irradiance 800W/m², ambient temperature 20 °C, wind speed 1 m/s

Mechanical Characteristics

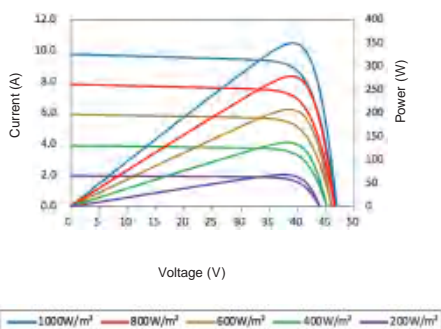
Solar Cells	Polycrystalline 156.75 x 156.75mm
No. of Cells	72 (6 x 12)
Dimensions	1956mm x 992mm x 40mm
Weight	22.5kg
Front Glass	High transmission tempered glass
Frame	Anodized aluminium alloy
Junction Box	IP67
Cable	4mm ² (IEC)
Connectors	MC4 / MC4 Compatible
Packaging Configuration	27pcs / box, 648pcs / 40'HQ Container

Temperature Characteristics

Temperature Coefficient of Pmax	γ (Pm)	-0.41%/K
Temperature Coefficient of Voc	β (Voc)	-0.32%/K
Temperature Coefficient of Isc	α (Isc)	0.050%/K

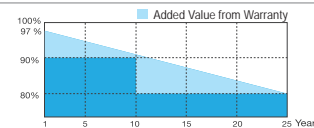
I-V Curves

Current-Voltage & Power-Voltage Curve



Warranty

- 10-year product warranty
- 25-year warranty on power output
- Specific information is referred to the product quality guarantee



Information Box