

* V means 1500V module

HT60-156M-M
HT60-156M(V)-M

POWER OUTPUT

305W / 310W / 315W
320W / 325W



- Module Efficiency: 19.9%
- Roof Cells: 60 (6 × 10)
- Weight: 18.5g
- Dimensions: 1640mm × 992mm × 35mm



Monocrystalline
158.75 × 158.75mm

• (Optional)
Design of Water
Leakage Trough

Shanghai Aerospace Automobile
Electromechanical Co., Ltd.
website: www.ht-saae.com



Factory :
Lianyungang ShenZhou New Energy Co., Ltd.
Turkey HT Solar Energy Joint Stock Company

10Ys
Products
Warranty



MBB The optimized number and width of main gate lines, Maximize the light receiving area of components and Reduce component power consumption

25Ys
Warranty on
power output



Designed for high voltage systems of up to 1500 VDC, increasing the string length of solar systems and saving on BoS costs

PID
PID Resistant

EL
Microcrack
resistant
Double glass
structure enhance
reliability, triple EL
tested of high
quality control.



All the modules are sorted and packaged by amperage, reducing mismatch losses and maximizing system output.

Entire module
certified to with
stand extreme wind
(2400 Pa) and snow
loads (5400 Pa)

5W

Positive tolerance
0/+5w guaranteed

Comprehensive and first-rate
certification system

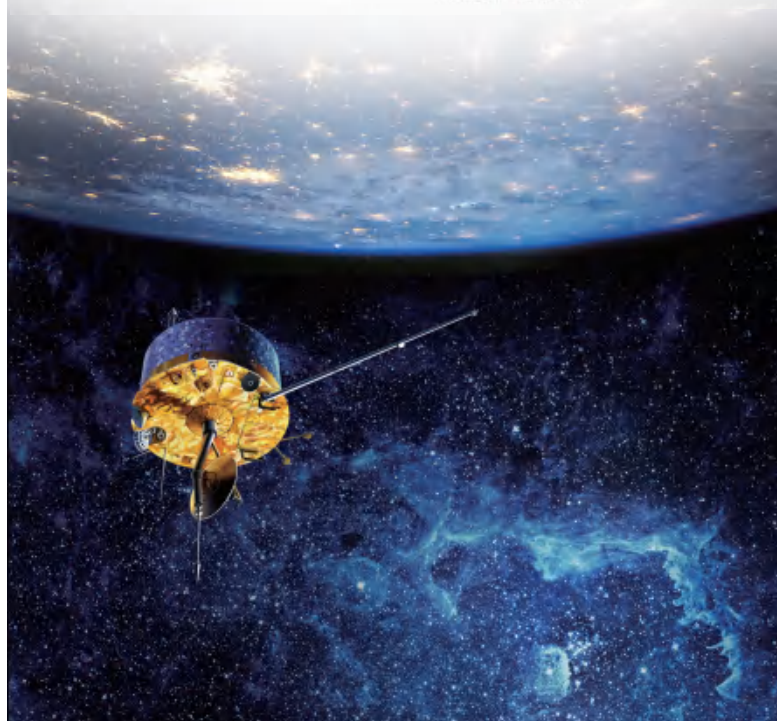
IEC61215: 2016, IEC61730: 2016 Latest Standard
ISO9001, ISO14001 and OHSAS18001,
meeting the highest international standards
Strict quality control



IEC 61215
IEC 61730
Regular Production
Surveillance
www.tuv.com

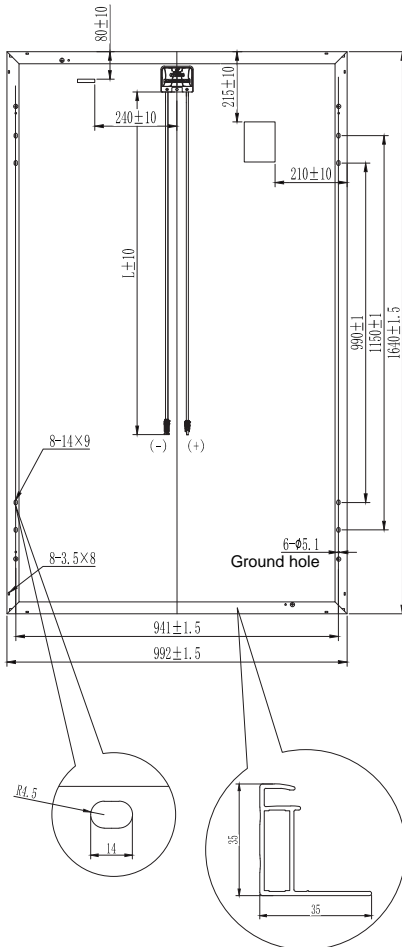
MULTIWAY

NEW



* Copyright@2018V3 Plus Specifications are subject to change without further notification

Engineering Drawing



Electrical Characteristics

Module	HT60-156M-M / HT60-156M(V)-M				
Maximum Power at STC(Pmax)	305W	310W	315W	320W	325W
Open-Circuit Voltage(Voc)	40V	40.2V	40.4V	40.6V	40.8V
Short-Circuit Current(Isc)	10.02A	10.14A	10.25A	10.36A	10.47A
Optimum Operating Voltage (Vmp)	33V	33.2V	33.4V	33.6V	33.8V
Optimum Operating Current(Imp)	9.26A	9.35A	9.45A	9.54A	9.63A
Module Efficiency	18.75%	19.05%	19.36%	19.67%	19.98%
Power Tolerance	0 ~ +5W				
Maximum System Voltage	1000V / 1500V DC(IEC)				
Maximum Series Fuse Rating	15A				
Operating Temperature	-40 °C to +85 °C				

*STC: Irradiance 1000W/m², module temperature 25, AM=1.5
 Optional black frame or white frame module according to customer requirements

NOCT

Module	HT60-156M-M / HT60-156M(V)-M				
Maximum Power	226W	230W	233W	237W	241W
Open Circuit Voltage (Voc)	37.8V	38V	38.2V	38.4V	38.6V
Short Circuit Current (Isc)	8.09A	8.19A	8.28A	8.37A	8.45A
Maximum Power Voltage (Vmp)	31.2V	31.4V	31.6V	31.7V	31.9V
Maximum Circuit Current (Imp)	7.24A	7.32A	7.37A	7.48A	7.55A
NOCT	45°C ±2°C				

*NOCT: Irradiance 800W/m², ambient temperature 20°C, wind speed 1 m/s

Mechanical Characteristics

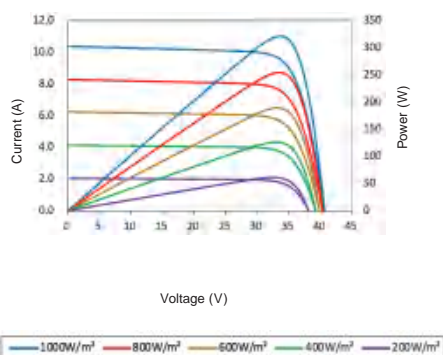
Solar Cells	Monocrystalline 156.75 × 156.75mm
No. of Cells	60 (6 × 10)
Dimensions	1640mm×992mm×35mm
Weight	18.5kg
Front Glass	High transmission tempered glass
Frame	Anodized aluminium alloy
Junction Box	IP67
Cable	4mm ² (IEC)
Connectors	MC4 / MC4 Compatible
Packaging Configuration	30pcs / box, 840pcs / 40'HQ Container

Temperature Characteristics

Temperature Coefficient of Pmax	γ (Pm)	-0.39%/K
Temperature Coefficient of Voc	β (Voc)	-0.29%/K
Temperature Coefficient of Isc	α (Isc)	0.049%/K

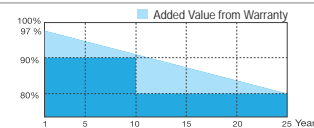
I-V Curves

Current-Voltage & Power-Voltage Curve



Warranty

- 10-year product warranty
- 25-year warranty on power output
- Specific information is referred to the product quality guarantee



Information Box