

GOLDI_60GN1 Monocrystalline Module



Key Features

- Excellent module conversion efficiency of up to 19.09%.
- Up to +2% positive power output guaranteed.
- Reducing equipment loss increases the power generation in overall system.
- Loss minimization due to excellent temperature co-efficient.

- BOS cost Reduction for 1500 VDC System by connecting more modules in a string.
- Better performance even at low irradiance condition.
- Higher specific yield.

Quality & Reliability

- Manufactured in an ISO 9001:2015, ISO 14001:2015, OHSAS 18001:2007 certified facility.
- Manufactured using high grade raw materials from reputed international suppliers adopting a stringent quality criteria.
- PID resistant (IEC 62804).

- Salt mist and ammonia corrosion resistant (IEC 61701 & IEC 62716).
- IP67/IP68 rated junction box for long-term weather endurance.
- 25 years output warranty.
- Certified for hail resistance.
- Certified with IEC & BIS.

Technical Data for GOLDI_60GN1 - Monocrystalline Module

Electrical Parameter at STC

Module Type	GOLDI060FWpPRC24				
Capacity rating – Pmax(Wp)	290	295	300	305	310
Power Tolerance (%)	0 - 2	0 - 2	0 - 2	0 - 2	0 - 2
Module efficiency (%)	17.86	18.17	18.48	18.79	19.09
Rated voltage - Vmp(V)	32.10	32.35	32.65	32.87	33.05
Rated current - Imp(A)	9.04	9.12	9.19	9.28	9.38
Open circuit voltage - Voc(V)	39.65	39.85	40.10	40.40	40.60
Short circuit current - Isc(A)	9.36	9.45	9.53	9.62	9.71

Under Standard Test Conditions (STC) of irradiance 1000 W/m², spectrum AM 1.5 and cell temperature of 25°C. Except Pmax, all other parameters have a tolerance of ±3%.

Electrical Parameter at NOCT

Capacity rating - Pmax(Wp)	215.52	219.12	222.85	226.55	230.25
Rated voltage - Vmp(V)	29.78	30.01	30.29	30.49	30.66
Rated current - Imp(A)	7.24	7.30	7.36	7.43	7.51
Open circuit voltage - Voc	36.95	37.14	37.37	37.65	37.84
Short circuit current - Isc(A)	7.58	7.65	7.72	7.79	7.86

NOCT irradiance of 800 W/m², ambient temperature of 20°C, Wind speed 1m/sec

Guarantees and certifications

Product warranty**	10 years
Performance guarantee**	Limited warranty for power output :- 90% for 10 years and 80% for 25 years
Product Certificates	IEC 61215, IEC 61730, IEC 61701, IEC 62716, CE, BIS

Mechanical Specification

Solar cells	60 pcs monocrystalline Silicon(PERC), 5BB
Encapsulation	Ultra - clear PID free EVA (Ethylene-Vinyl-Acetate)
Backside	UV protected reflective backsheets
Frame	Silver Anodized Aluminium Alloy (screwless)
Front glass	3.2 mm, High Transmission, AR Coated Tempered Glass
Dimensions	(L) 1640mm x (W) 990 mm x (H) 35mm
Weight	18.3kg
J-box	IP 67/IP68 certified 4-rail, 3 diodes junction box
Cable	Solar cable 400mm to 1200 mm length, 4 mm ²
Connectors	MC4 compatible connectors
Application Class	Class A
Electrical Safety	Class II
Fire Safety	Class C (Type 1)
Surface load	(snow load 5400 Pa, wind load 2400 Pa).

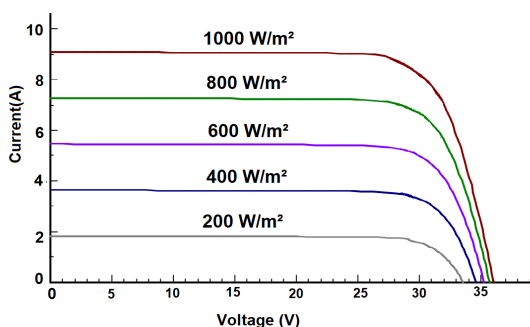
Temperature Coefficients (TC)

Temperature Coefficient (Voc)	-0.29% /°C
Temperature Coefficient (Isc)	0.05% /°C
Temperature Coefficient (Pmax)	-0.38% /°C

Permissible Operating Conditions

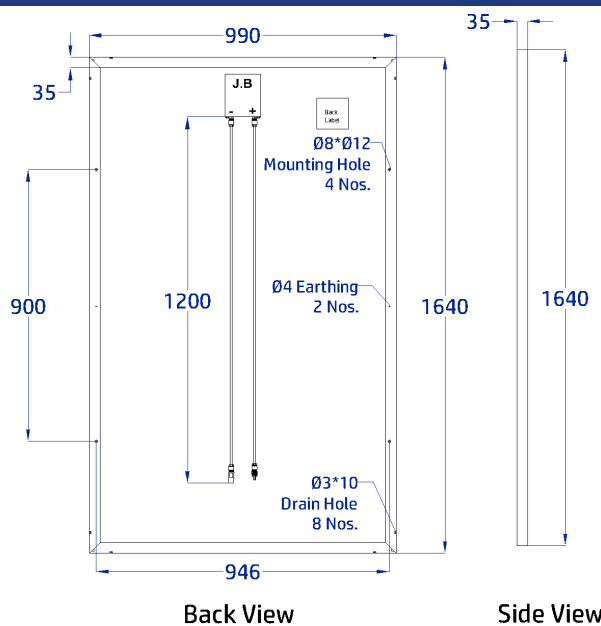
Temperature range	-40°C to + 85°C
Maximum system voltage	1500/1000 VDC
NOCT	45± 2°C
Hail resistance	Maximum diameter of 25 mm with velocity 23 m/s

IV Curve



- For handling & installation instructions refer Goldi Solar Installation Manual available on Company website.
- Before placing order confirm your requirement with our sales representative.
- The electrical data given here is for reference purpose only.
- Dispose-off the product as E-Waste after end of its working life.
- ** Refer to Goldi Solar's warranty document for terms and conditions.
- Due to constant product modifications, Goldi Solar reserves the right to amend the above specifications without prior notice.

Drawing (Measurements are in mm)



Container	20' GP	40' HC
Pallets/ container	10	28
Modules/ Container	300	840

www.goldi.one
info@goldi.one
 India Toll : 1800 833 5511