

AstroNova™

Profitable for Decades



270W~280W

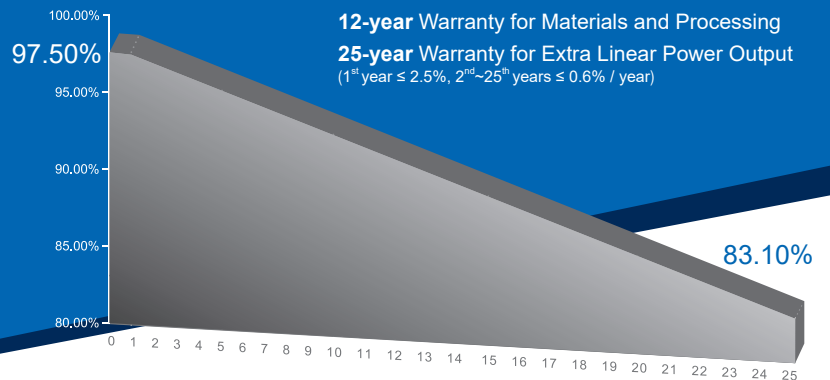
5BB-Polycrystalline PV Module

CHSM6610P Series (156.75)

CHSM6610P/HV Series (156.75)

CHSM6610P max system voltage 1000V standard

CHSM6610P/HV max system voltage 1500V standard



KEY FEATURES

- OUTPUT POSITIVE TOLERANCE**
 Guaranteed 0~+5W positive tolerance ensures power output reliability.
- PID RESISTANCE**
 Excellent PID resistance at 96 hours (@85°C /85%) test, and also can be improved to meet higher standards for the particularly harsh environment.
- EXCELLENT STATIC MECHANICAL LOAD CAPABILITY**
 Certified to withstand: front load (5400 Pa) and back load (2400 Pa).
- HIGHER RELIABILITY AND DURABILITY**
 Effectively deals with harsh environments, such as sand, salt mist and ammonia resistance.
- PASSED HAIL TEST**
 Certified to hail resistance: ice ball size (d=45mm) and ice ball velocity (v=30.7m/s).
- EXCELLENT LOW-LIGHT PERFORMANCE**
 With the deep textured ARC glass and cell surface texturing process, achieve the excellent performance at the haze, cloudy days and other low light conditions.

COMPREHENSIVE CERTIFICATES



First solar company which passed the TUV Nord IEC/TS 62941 certification audit.

For Global Market



ASTRONERGY
A CHNT COMPANY

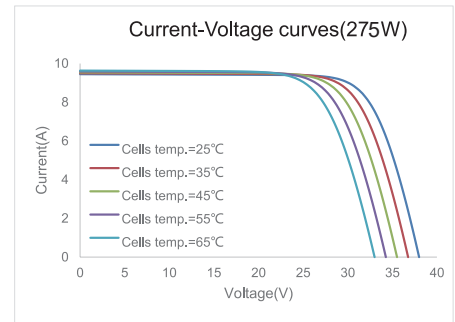
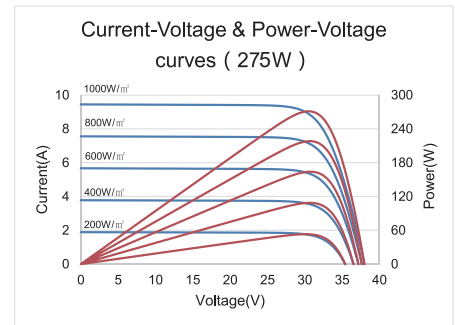
ELECTRICAL SPECIFICATIONS

STC rated output (P_{mpp})*	270 Wp	275 Wp	280 Wp
Rated voltage (V_{mpp}) at STC	31.08 V	31.12 V	31.20 V
Rated current (I_{mpp}) at STC	8.70 A	8.85 A	8.99 A
Open circuit voltage (V_{oc}) at STC	38.00 V	38.45 V	38.69 V
Short circuit current (I_{sc}) at STC	9.45 A	9.52 A	9.59 A
Module efficiency	16.5%	16.8%	17.1%
Rated output (P_{mpp}) at NMOT	202.5 Wp	206.3 Wp	210.0 Wp
Rated voltage (V_{mpp}) at NMOT	28.12 V	28.15 V	28.22 V
Rated current (I_{mpp}) at NMOT	7.20 A	7.33 A	7.44 A
Open circuit voltage (V_{oc}) at NMOT	34.71 V	35.13 V	35.35 V
Short circuit current (I_{sc}) at NMOT	7.96 A	8.02 A	8.08 A
Temperature coefficient (P_{mpp})	- 0.407%/°C		
Temperature coefficient (I_{sc})	+0.049%/°C		
Temperature coefficient (V_{oc})	- 0.310%/°C		
Nominal module operating temperature (NMOT)	43±2°C		
Maximum system voltage (IEC/UL)	1000V _{DC} or 1500V _{DC}		
Number of diodes	3		
Junction box IP rating	IP 67		
Maximum series fuse rating	15 A		

STC: Irradiance 1000W/m², Cell Temperature 25°C, AM=1.5

NMOT: Irradiance 800W/m², Ambient Temperature 20°C, AM=1.5, Wind Speed 1m/s

CURVE



MECHANICAL SPECIFICATIONS

Outer dimensions (L x W x H)	1650 x 992 x 35 mm 64.96 x 39.06 x 1.38 in
Frame technology	Aluminum, silver anodized
Module composition	Glass / EVA / Backsheet (white)
Front glass thickness	3.2 mm / 0.13 in
① Cable length (IEC/UL)	900 mm / 35.43 in
Cable diameter (IEC/UL)	4 mm ² / 12 AWG
② Maximum mechanical test load	5400 Pa (front) / 2400 Pa (back)
Fire performance (IEC/UL)	Class C (IEC) or Type 1 (UL)
Connector type (IEC/UL)	MC4 compatible

① Option: 900(+)/600(-) mm or 1000 mm for defined projects in advance.

② Refer to Astronergy Crystalline Silicon PV Module Installation Manual or contact technical department.
Maximum Mechanical Test Load=1.5×Maximum Mechanical Design Load.

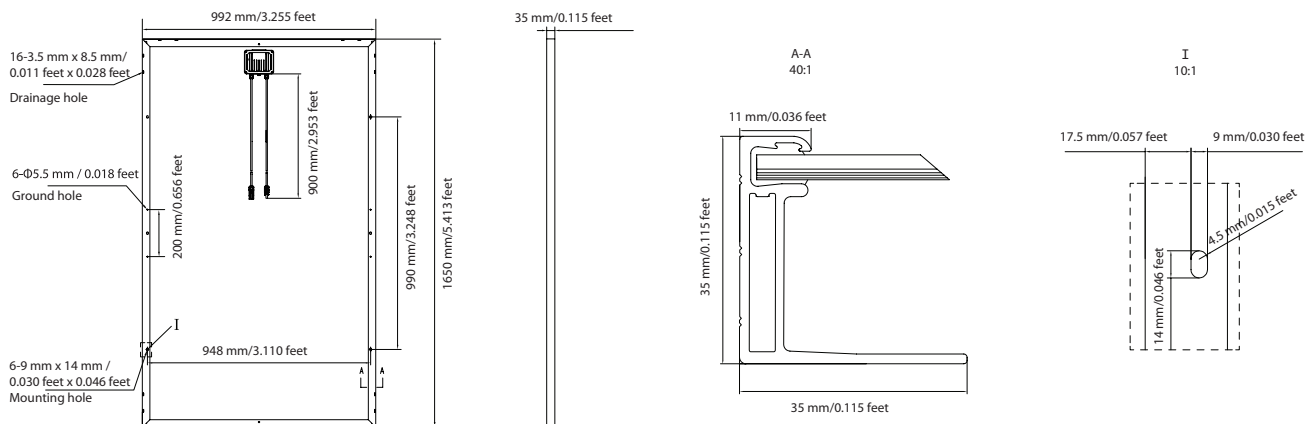
PACKING SPECIFICATIONS

① Weight (module only)	18.4 kg / 40.57 lbs
② Packing unit	31 pcs / box
Weight of packing unit (for 40'HQ container)	609 kg / 1343 lbs
Number of modules per 40'HQ container	868 pcs

① Tolerance +/- 1.0kg

② Subject to sales contract

MODULE DIMENSION DETAILS



© Chint Solar (Zhejiang) Co., Ltd. Reserves the right of final interpretation. please contact our company to use the latest version for contract.