



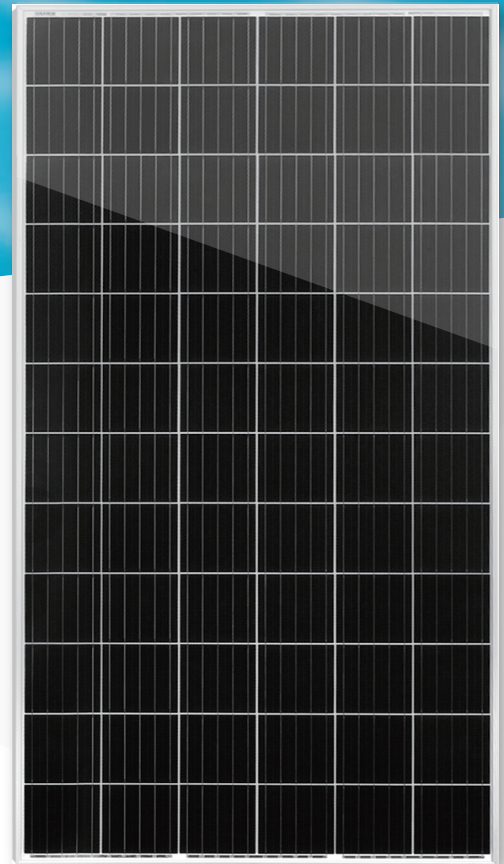
SpolarPV
Easy Invest, More Returns

SPM6-72L

380-400 Watt

MONO CRYSTALLINE MODULE

- SP380M6-72L
- SP385M6-72L
- SP390M6-72L
- SP395M6-72L
- SP400M6-72L



20.17%

Module efficiency



Product warranty

400 W

Highest power output



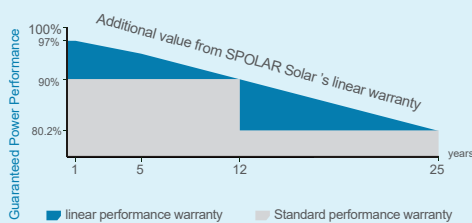
Linear power warranty

0 ~ +5W

Positive power tolerance

Key Features

Linear Performance Warranty



ISO9001:2016 ISO14001:2016
OHSAS18001:2011 certified factory.
IEC61215 IEC61730 certified products.



www.spolarpv.com



High Efficiency

Higher module conversion efficiency benefit from Passivated Emitter Rear Contact (PERC) technology.



PID Resistant

Excellent Anti-PID performance guarantee limited power degradation for mass production.



Low-light Performance

Advanced glass and cell surface texture design ensure excellent performance in low light environment.



Severe Weather Resilience

Certified to withstand: wind load (2400 Pascal) and snow load (5400 Pascal).



Durability against extreme environmental conditions

High salt mist and ammonia resistance.

Electrical Characteristics at Standard Test Conditions (STC)

Module Type	SP380M6-72L	SP385M6-72L	SP390M6-72L	SP395M6-72L	SP400M6-72L
Maximum Power -Pmax (W)	380	385	390	395	400
Maximum Power Voltage - Vmp (V)	39.59	39.9	40.21	40.48	40.66
Maximum Power Current - Imp (A)	9.60	9.65	9.70	9.76	9.84
Open-circuit Voltage - Voc (V)	48.75	49.04	49.35	49.64	49.89
Short-circuit Current - Isc (A)	10.12	10.17	10.22	10.27	10.31
Module Efficiency STC (%)	19.3%	19.5%	19.8%	20.0%	20.17%

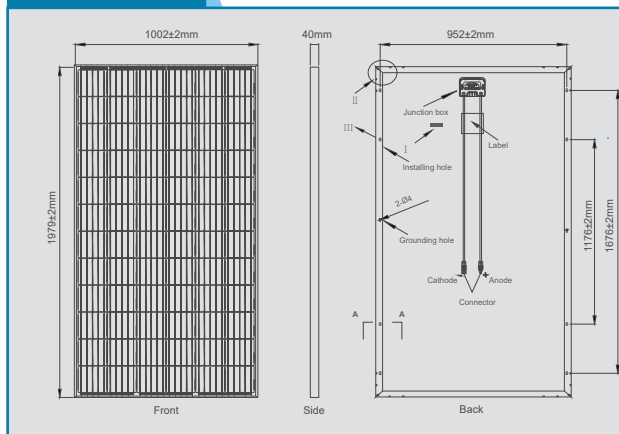
Electrical Characteristics at Normal Operating Cell Temperature (NOCT)

Module Type	SP380M6-72L	SP385M6-72L	SP390M6-72L	SP395M6-72L	SP400M6-72L
Maximum Power -Pmax (W)	281	285	289	292	298
Maximum Power Voltage - Vmp (V)	37.34	37.64	37.92	38.21	38.64
Maximum Power Current - Imp (A)	7.53	7.57	7.61	7.65	7.71
Open-circuit Voltage - Voc (V)	46.15	46.47	46.78	47.09	47.26
Short-circuit Current - Isc (A)	7.99	8.03	8.07	8.11	8.21
Power tolerance	0~+5W	Operating Temperature(°C)		-40 C ~+85 C	
Temperature coefficients of Pmax	-0.38%/C	Maximum system voltage		1000/1500V	
Temperature coefficients of Voc	-0.29%/C	Maximum series fuse rating		15A	
Temperature coefficients of Isc	0.05%/C	Nominal operating cell temperature		45±2 C	

Mechanical Characteristics

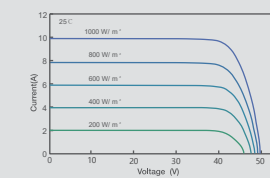
Cell Type	Mono-crystalline PERC 158.75×158.75mm
No.of cells	72 (6×12)
Dimensions	1979×1002×40mm
Weight	22.0 kg
Front Glass	3.2mm, High Transmission, Low Iron, Tempered Glass
Frame	Anodized Aluminium Alloy
Junction Box	IP67 Rated
Output Cables	1×4.0mm ² , Length:900mm or Customized Length
Packaging Configuration	26pcs/pallet , 52-56pcs/stack, 572-616pcs/40'HQContainer (Two pallets=One stack)

Dimensions



IV-Curves

Current-Voltage Curve under different irradiance



Current-Voltage Curve under different working temperatures

