

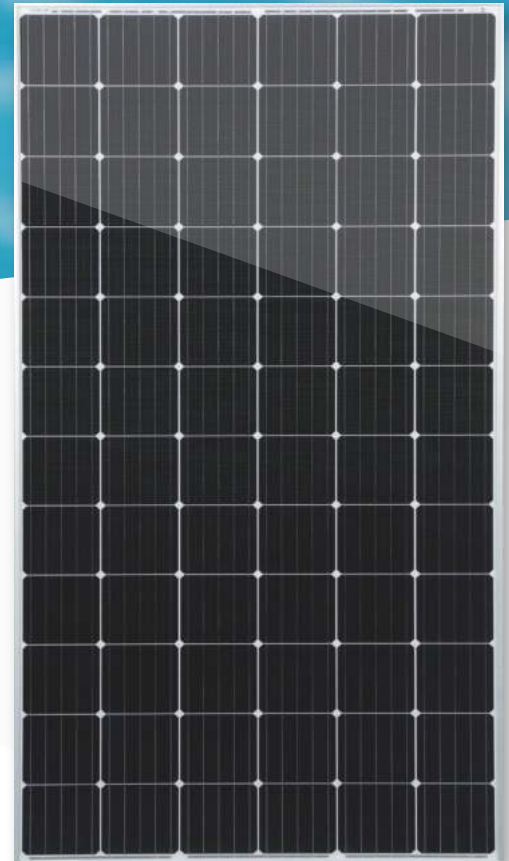
# SPM6-72 340-385 Watt

## MONO CRYSTALLINE MODULE

- SP340M6-72
- SP345M6-72
- SP350M6-72
- SP355M6-72
- SP360M6-72
- SP365M6-72
- SP370M6-72
- SP375M6-72
- SP380M6-72
- SP385M6-72



**SpolarPV**  
Easy Invest, More Returns



### 19.84%

Module efficiency



Product warranty

### 385 W

Highest power output



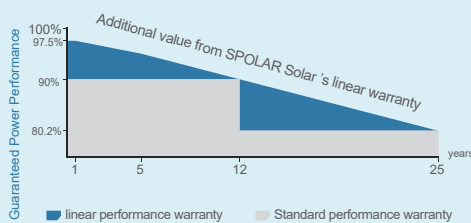
Linear power warranty

### 0 ~ +5W

Positive power tolerance

### Key Features

#### Linear Performance Warranty



#### High Efficiency

Higher module conversion efficiency benefit from Passivated Emitter Rear Contact (PERC) technology.



#### PID Resistant

Excellent Anti-PID performance guarantee limited power degradation for mass production.



#### Low-light Performance

Advanced glass and cell surface texture design ensure excellent performance in low light environment.



#### Severe Weather Resilience

Certified to withstand: wind load (2400 Pascal) and snow load (5400 Pascal).



#### Durability against extreme environmental conditions

High salt mist and ammonia resistance.



ISO9001:2016 ISO14001:2016  
OHSAS18001:2011 certified factory.  
IEC61215 IEC61730 certified products.

[www.spolarpv.com](http://www.spolarpv.com)

## Electrical Characteristics at Standard Test Conditions (STC) / Normal Operating Cell Temperature (NOCT)

Module Type	SP340M6-72	SP345M6-72	SP350M6-72	SP355M6-72	SP360M6-72
Maximum Power -Pmax (W)	340 / 253	345 / 258	350 / 262	355 / 266	360 / 270
Maximum Power Voltage - Vmp (V)	38.2 / 35.2	38.4 / 37.0	38.6 / 35.8	38.8 / 36.1	38.9 / 36.3
Maximum Power Current - Imp (A)	8.91 / 7.19	8.98 / 6.98	9.07 / 7.32	9.15 / 7.37	9.26 / 7.43
Open-circuit Voltage - Voc (V)	46.5 / 43.4	47.3 / 43.8	46.9 / 43.8	47.0 / 44.1	47.2 / 44.4
Short-circuit Current - Isc (A)	9.45 / 7.63	9.31 / 7.38	9.60 / 7.74	9.69 / 7.81	9.76 / 7.86
Module Efficiency STC (%)	17.52%	17.78%	18.04%	18.30%	18.55%

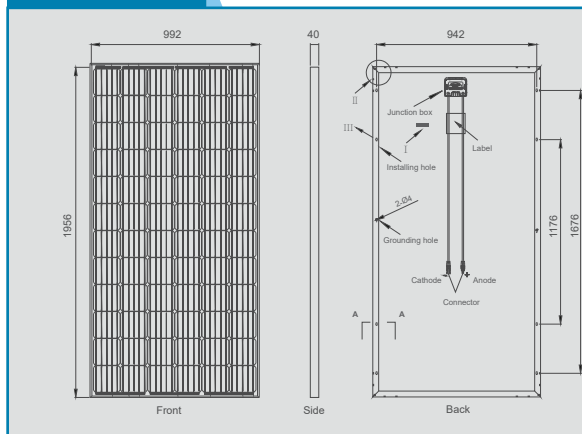
## Electrical Characteristics at Standard Test Conditions (STC) / Normal Operating Cell Temperature (NOCT)

Module Type	SP365M6-72	SP370M6-72	SP375M6-72	SP380M6-72	SP385M6-72
Maximum Power -Pmax (W)	365 / 272	370 / 274	375 / 278	380 / 282	385 / 285
Maximum Power Voltage - Vmp (V)	39.55 / 36.5	39.83 / 36.68	40.11 / 36.93	40.39 / 37.19	40.66 / 37.70
Maximum Power Current - Imp (A)	9.24 / 7.46	9.29 / 7.48	9.35 / 7.53	9.41 / 7.58	9.47 / 7.56
Open-circuit Voltage - Voc (V)	47.6 / 44.7	48.17 / 45.55	48.43 / 45.68	48.72 / 45.96	48.99 / 46.26
Short-circuit Current - Isc (A)	9.82 / 7.92	10.06 / 8.13	10.13 / 8.12	10.19 / 8.21	10.25 / 8.23
Module Efficiency STC (%)	18.81%	19.07%	19.33%	19.58%	19.84%
Power tolerance	0~+5W		Operating Temperature(°C)		-40°C~+85°C
Temperature coefficients of Pmax	-0.38%/°C		Maximum system voltage		1000/1500V
Temperature coefficients of Voc	-0.33%/°C		Maximum series fuse rating		20A
Temperature coefficients of Isc	0.05%/°C		Nominal operating cell temperature		45±2°C

## Mechanical Characteristics

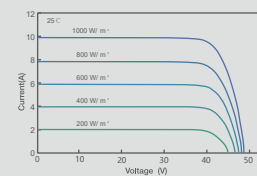
Cell Type	Mono-crystalline 156.75×156.75mm
No.of cells	72 (6×12)
Dimensions	1956×992×40mm
Weight	21.5 kg
Front Glass	3.2mm, High Transmission, Low Iron, Tempered Glass
Frame	Anodized Aluminium Alloy
Junction Box	IP67 Rated
Output Cables	1×4.0mm <sup>2</sup> , Length:900mm or Customized Length
Packaging Configuration	26pcs/pallet , 52-56pcs/stack, 624-672pcs/40'HQContainer ( Two pallets=One stack )

## Dimensions



## IV-Curves

Current-Voltage Curve under different irradiance



Current-Voltage Curve under different working temperatures

