



SpolarPV
Easy Invest, More Returns

SPHM6-72L 395-415 Watt

MONO CRYSTALLINE MODULE

- SP395HM6-72L
- SP400HM6-72L
- SP405HM6-72L
- SP410HM6-72L
- SP415HM6-72L

20.61%

Module efficiency



Product warranty

415 W

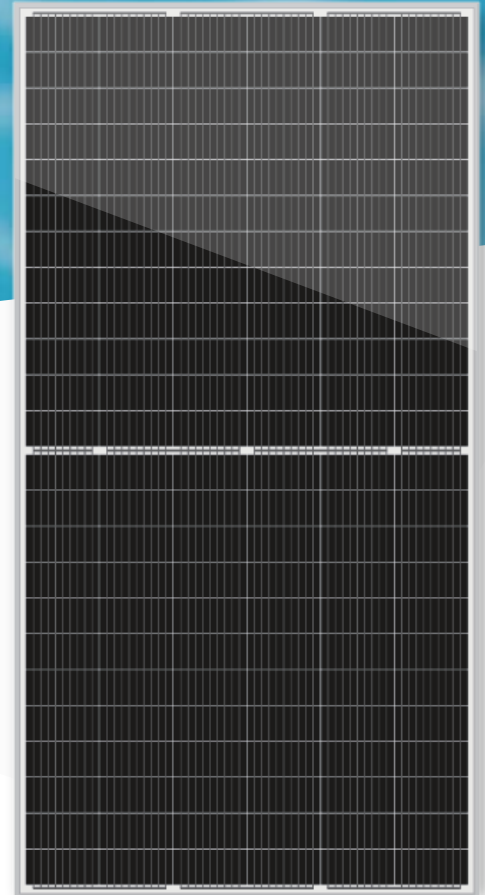
Highest power output



Linear power warranty

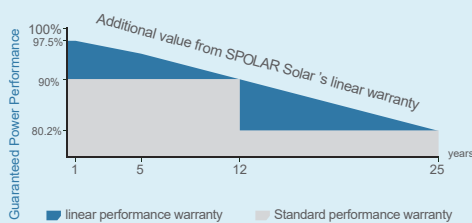
0 ~ +5W

Positive power tolerance



Key Features

Linear Performance Warranty



High Efficiency

Higher module conversion efficiency benefit from Passivated Emitter Rear Contact (PERC) technology.



PID Resistant

Excellent Anti-PID performance guarantee limited power degradation for mass production.



Low-light Performance

Advanced glass and cell surface texture design ensure excellent performance in low light environment.



Severe Weather Resilience

Certified to withstand: wind load (2400 Pascal) and snow load (5400 Pascal).



Durability against extreme environmental conditions

High salt mist and ammonia resistance.



ISO9001:2016 ISO14001:2016
OHSAS18001:2011 certified factory.
IEC61215 IEC61730 certified products.



www.spolarpv.com

Electrical Characteristics at Standard Test Conditions (STC)

Module Type	SP395HM6-72L	SP400HM6-72L	SP405HM6-72L	SP410HM6-72L	SP415HM6-72L
Maximum Power -Pmax (W)	395	400	405	410	415
Maximum Power Voltage - Vmp (V)	41.07	41.28	41.46	41.76	41.96
Maximum Power Current - Imp (A)	9.62	9.69	9.77	9.82	9.89
Open-circuit Voltage - Voc (V)	49.48	49.71	49.94	50.12	50.51
Short-circuit Current - Isc (A)	10.39	10.46	10.53	10.67	10.74
Module Efficiency STC (%)	19.61%	19.86%	20.11%	20.36%	20.61%

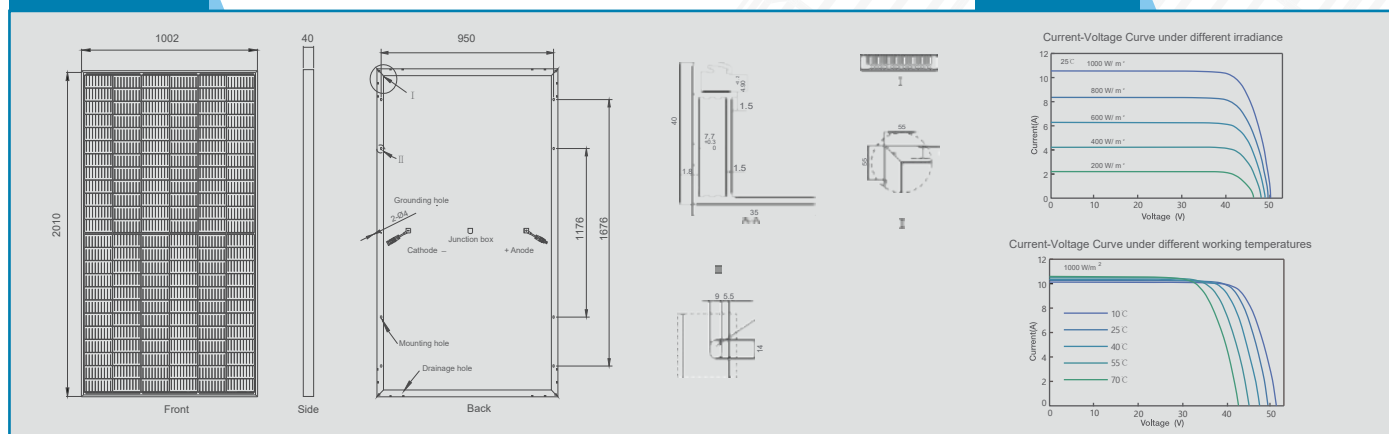
Electrical Characteristics at Normal Operating Cell Temperature (NOCT)

Module Type	SP395HM6-72L	SP400HM6-72L	SP405HM6-72L	SP410HM6-72L	SP415HM6-72L
Maximum Power -Pmax (W)	295	298	302	304	307
Maximum Power Voltage - Vmp (V)	38.23	38.43	38.60	38.81	38.91
Maximum Power Current - Imp (A)	7.71	7.76	7.82	7.83	7.89
Open-circuit Voltage - Voc (V)	46.87	47.09	47.31	47.63	48.23
Short-circuit Current - Isc (A)	8.38	8.44	8.50	8.52	8.54
Power tolerance	0~+5W		Operating Temperature(°C)		-40 C ~+85 C
Temperature coefficients of Pmax	-0.37%/C		Maximum system voltage		1500V
Temperature coefficients of Voc	-0.32%/C		Maximum series fuse rating		20A
Temperature coefficients of Isc	0.05%/C		Nominal operating cell temperature		45±2C

Mechanical Characteristics

Cell Type	Mono-crystalline PERC 158.75×79.38mm
No.of cells	144 (6×24)
Dimensions	2018×996/1002×40mm
Weight	22.5 kg
Front Glass	3.2mm, High Transmission, Low Iron, Tempered Glass
Frame	Anodized Aluminium Alloy
Junction Box	IP68 Rated
Output Cables	1×4.0mm ² , Length:300mm or Customized Length
Packaging Configuration	26pcs/pallet , 52-56pcs/stack, 572-616pcs/40'HQContainer (Two pallets=One stack)

Dimensions



IV-Curves