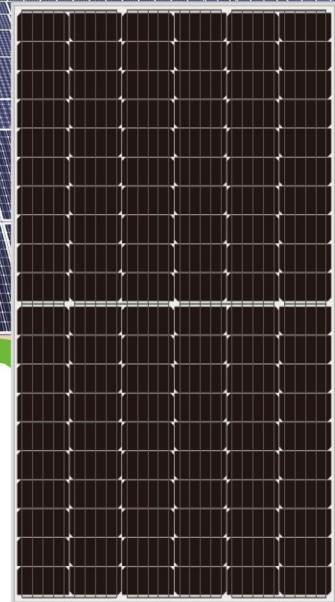




Enjoy Sunshine Enjoy Life



MONOCRYSTALLINE SOLAR MODULE

MONOCRYSTALLINE 120-CELL SERIES

The solar panel characteristics



1500 Voltage
1500V system voltage design, compared with 1000V system greatly reduces BOS cost.



5BB
More uniform current collection ability, reduce the current heat loss of the battery inside the module; Beautiful appearance, more suitable for roof installation.



PID Resistant
Tested in accordance to the draft standard IEC 62804, our PV modules have demonstrated resistance against PID(Potential Induced Degradation), which translates to security for your investment.



Low light performance
Through the use of excellent glass and battery surface velvet technology to achieve low light environment excellent performance.



Load Capacity
The whole assembly has been certified with wind load of 2400Pa and snow load of 5400Pa, pass extra 8000Pa snow resistance.



Customizable
Solar panels can be customized as your requirements.

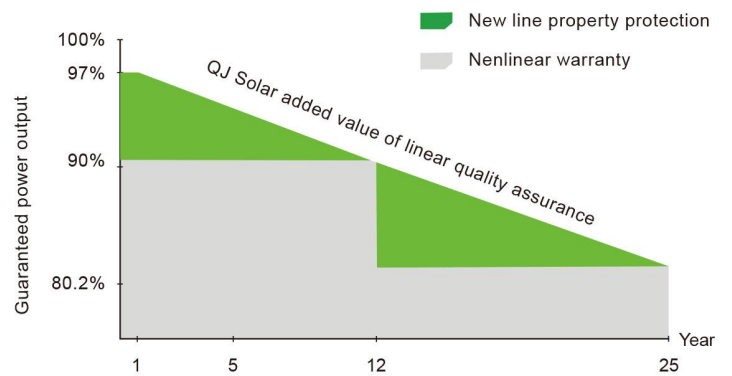
QJ Solar linear warranty



10 Years
Limited Product Warranty



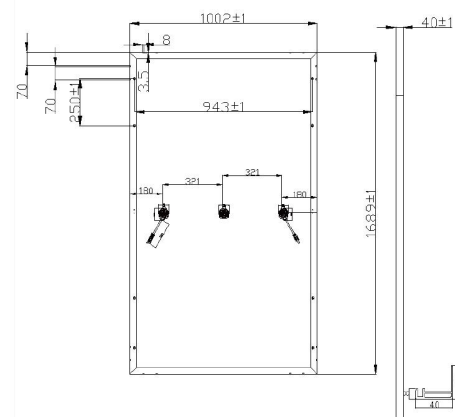
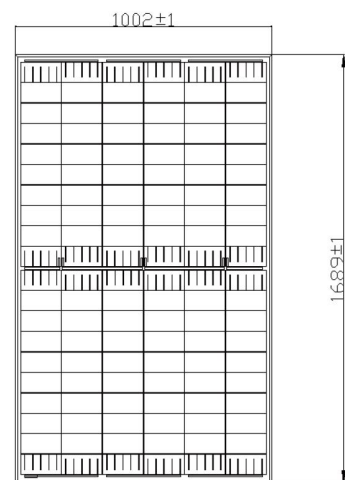
25 Years
Performance Warranty



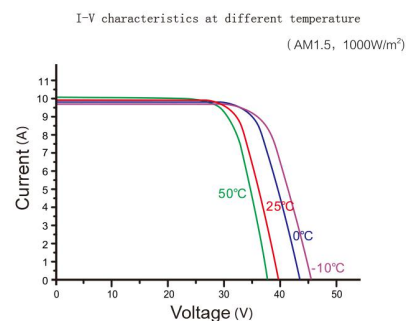
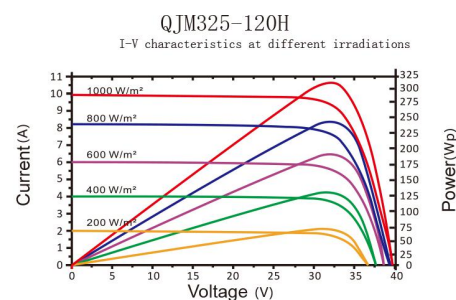
MONOCRYSTALLINE 120-CELL SERIES



Module Diagram:



Electrical Curves:



ELECTRICAL PERFORMANCE

Module Type			QJM325 -120H	QJM330 -120H	QJM335 -120H	QJM340 -120H
Power output	P_{max}	W_p	325	330	335	340
Power output tolerance	ΔP_{max}	W	0 + 3			
Voltage at Pmax	V_{mpp}	V	33.4	33.6	33.8	34.1
Current at Pmax	I_{mpp}	A	9.73	9.83	9.92	9.98
Open-circuit voltage	V_{oc}	V	40.75	40.99	41.24	41.61
Short-circuit current	I_{sc}	A	10.29	10.39	10.51	10.57
Module Efficiency	$Eff.$	$\%$	19.2	19.50	19.79	20.09

TEMPERATURE & MAXIMUM RATINGS

Temperature coefficient of Pmax	-0.39%/°C
Temperature coefficient of Voc	-0.32%/°C
Temperature coefficient of Isc	0.055 %/°C
Operational Temperature	-45 °C ~ +85 °C
Maximum System Voltage	1000/1500VDC
Max Series Fuse Rating	15A

MECHANICAL CHARACTERISTICS

Front cover (material / thickness)	low-iron, high transmission, tempered AR coated glass, 3.2mm
Backsheet (color)	white/black
Solar Cell (quantity / material / dimension)	120(6*10+6*10), monocrystalline, 158.75*158.75mm
Frame (material / color)	anodized aluminum alloy, silver/black
Junction box (protection degree)	IP67, 3 Schottky bypass diodes
Cables & Plug connectors	300mm, 4mm² & MC4 compatible
Module Dimensions (L / W / H)	1689*1002*35mm/40mm
Module Weight	18.7/19kg

PACKING DETAILS

Container	20' GP	40' GP
Pieces per pallet	30PCS	30PCS
Pallets per container	12P	26P
Pieces per container	360PCS	780PCS

QJ SOLAR Cixi City Rixing Electronics Co., Ltd.

Add: Jietang Industrial Park, Zhouxiang Town, Cixi City, Zhejiang Province, China.
Tel: 86-574-63441748 Fax: 86-574-63456148
Email: sales@qjsolar.com Web.: www.qjsolar.com

