



LEAPTON
SOLAR

Monocrystalline

Polycrystalline

LP166*166-M-66-MH

Rated Power 400-420W



9BB Cell
More uniform current collection capability, reducing the current heat loss of the internal cells.



Low Light Features
Higher performance under low light environment.



Higher Output Power
The output power of 132 half-cells Monocrystalline modules is up to 420W.



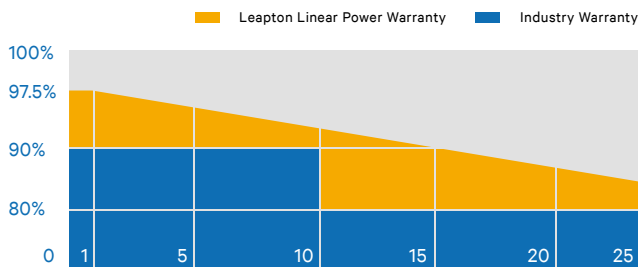
PID Protection
Ensure the attenuation probability caused by PID phenomenon is minimized.



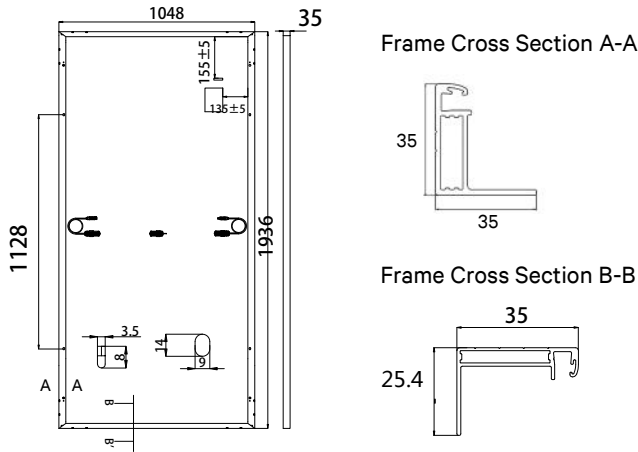
Harsh Environmental Adaptability
Strict salt spray and ammonia corrosion test by TUV Nord.



Load Capacity
Mechanical load tests including wind load 2400 Pa and snow load 5400 Pa done by TUV Nord.



MECHANICAL DIAGRAMS



SPECIFICATIONS

Weight	21kg
Dimensions	1936mm*1048mm*35mm
Cell Amount	66*2 pcs
Maximum System Voltage	1000/1500V
Junction Box	IP68
Frame	Aluminum Alloy
Cable	4mm ² , Landscape: N 1200mm/P 1200mm Portrait: N 150mm/P 300mm
Connector	MC4 compatible
Application Level	Class A

ELECTRICAL PARAMETERS AT STC

Power	400W	405W	410W	415W	420W
Open Circuit Voltage	44.80V	45.00V	45.20V	45.40V	45.60V
Short Circuit Current	11.08A	11.17A	11.26A	11.35A	11.44A
Maximum Power Voltage	38.38V	38.58V	38.78V	38.98V	39.18V
Maximum Power Current	10.40A	10.49A	10.58A	10.67A	10.74A
Module Efficiency	19.7%	20.0%	20.2%	20.5%	20.7%

* Under Standard Test Conditions (STC) of irradiance of 1000 W/m², spectrum AM 1.5 and cell temperature of 25°C.

ELECTRICAL PARAMETERS AT NMOT

Power	300W	304W	308W	311W	315W
Open Circuit Voltage	42.56V	42.76V	42.96V	43.16V	43.36V
Short Circuit Current	8.81A	8.88A	8.95A	9.02A	9.09A
Maximum Power Voltage	36.36V	36.56V	36.76V	36.86V	37.06V
Maximum Power Current	8.25A	8.32A	8.39A	8.46A	8.51A
Module Efficiency	14.8%	15.0%	15.2%	15.3%	15.5%

* Under Nominal Module Operating Temperature (NMOT), irradiance of 800 W/m², spectrum AM 1.5, ambient temperature 20°C, wind speed 1 m/s.

TEMPERATURE CHARACTERISTICS

NMOT	41±3°C	Temp Coefficient of ISC	+0.05%/°C
Temp Coefficient of VOC	-0.28%/°C	Temp Coefficient of Pmax	-0.36%/°C

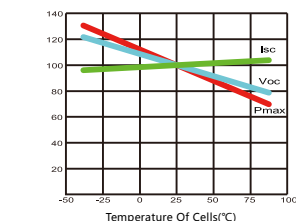
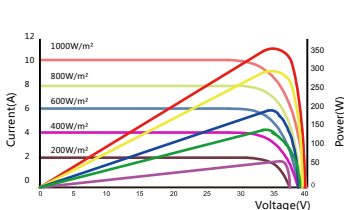
PACKING CONFIGURATION

Modules/Pallet	31 Pieces	Modules/40'Container	804 Pieces
Packing Description	24 Pallets, Total=(31+31+5)x12=804 Pieces		

CHARACTERISTICS

LP166*166-M-66-MH-400W

LP166*166-M-66-MH-400W



MAXIMUM RATING

Output Tolerance	0~+5W
Operating Temperature	-40°C~+85°C
Wind Load/Snow Load	2400pa/5400pa
Fuse Current	20A



Headquarter : Leapton Energy Co., Ltd.

☞ Tosei Bldg. 6F, 1-2-1 Aioi-cho, Chuo-ku Kobe-shi, Hyogo, 650-0025, Japan

☎ +81-78-382-3182

🌐 www.leaptonenergy.jp

Manufacturer : Leapton Solar (Changshu) Co., Ltd.

☞ No.55, Sunshine Avenue, Changshu City, Jiangsu, China

☎ +86-512-88800068

✉ info@leaptonenergy.com

🌐 www.leaptonpv.com