



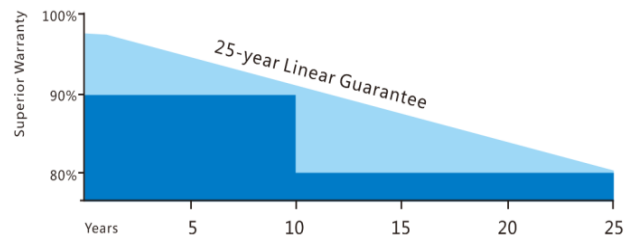
#### Key Features

- Power output: Positive tolerance of up to 5W
- 100%EL 2 times-inspection ensures modules are defect free
- Anti-reflective and self-cleaning surface reduces power loss from dirt and dust
- Certified to withstand increased snow loads of up to 5400Pa and wind loads of up to 2400Pa
- High performance and power output in low solar irradiation

#### Comprehensive Certificates

- IEC61215, IEC61730, UL1703,
- TUV, UL, JET, INMETRO, CE, IEC
- ISO9001:2015
- ISO14001:2015
- OHSAS 18001:2007

#### Superior Warranty



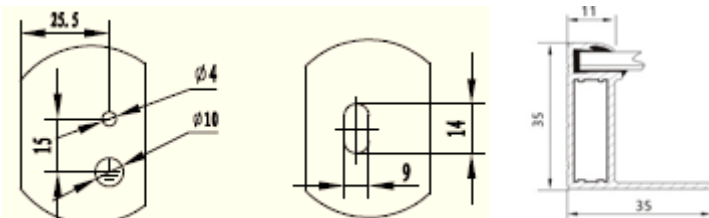
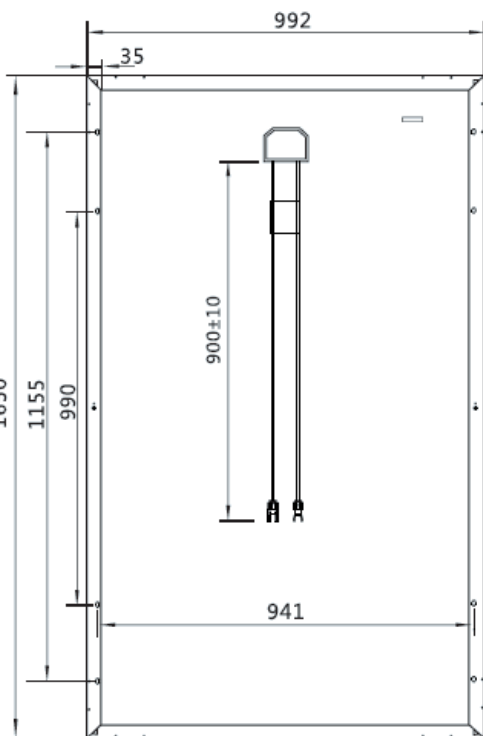
#### 25-year Linear Power Output Warranty

Power output\* shall not exceed:

For Mono-crystalline Modules: 3.0 % in the first year, thereafter 0.68% per year, ending with 80.68% in the 25th year after the Warranty Start Date;

For Poly-crystalline Modules: 2.5 % in the first year, thereafter 0.70% per year, ending with 80.7% in the 25th year after the Warranty Start Date.

\*measured at STC



## LN260(30)M-5-XXX(285W-300W)

## Mono / 5 Busbar / 60pcs

### Electrical Parameters@STC

Pmax (W) 0~+5W	Umpp (V)	Impp(A)	Uoc (V) ±3%	Isc(A) ±3%	FF	Module Efficiency	Max System Voltage	Max Series Fuse
285	32.39	8.8	38.78	9.48	77.53%	17.41%	1000V	15A
290	32.66	8.88	39.01	9.58	77.61%	17.72%	1000V	15A
295	32.86	8.98	39.3	9.67	77.65%	18.02%	1000V	15A
300	33.08	9.07	39.54	9.77	77.67%	18.33%	1000V	15A

### Temperature Parameter

Temperature Cycling Range:	-40°C ~ +85°C
Normal Module Operating Temperature:	42±2 °C
Temperature Coefficient of Isc:	0.0630%/°C
Temperature Coefficient of Voc :	-0.3450%/°C
Temperature Coefficient of Pmax :	-0.4503%/°C

### Mechanical Data

Module Dimension:	1650×992×35mm
Weight:	18.5kg
Snow/Wind Load:	5400/2400 Pa
Number of Cells:	60pcs
Thickness of Glass:	3.2mm
Junction Box:	IP68, 3 Diodes
Connector:	HTC-16, IP68

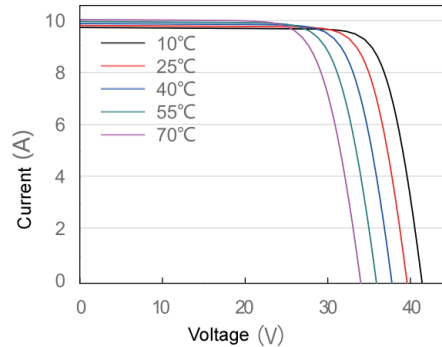
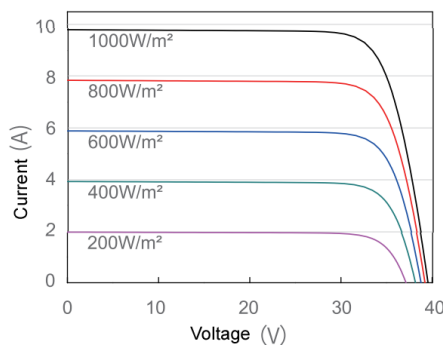
### Guarantee

10-year warranty on materials & workmanship  
 25-year linear power output warranty

### Packaging Configuration

Modules Per Pallet:	31pcs
Modules Per 40' HQ:	868pcs

### 300W Mono Module I-V Curve



STC: Irradiance 1000W/m<sup>2</sup>    Temperature 25°C    AM=1.5  
 NMOT: Irradiance 800W/m<sup>2</sup>    Temperature 20°C    Wind Speed 1m/s



Specifications subject to technical changes and tests, Linuo Power reserves the right of final interpretation.