

60-cell Half-cell Poly Module Series

275W/280W/285W/290W/295W

10
Years

Product warranty

25
Years

Linear power
output
warranty



High output efficiency

PID Free ensuring high efficiency output of the system.



Superior weak light effect

Excellent module efficiency in the weak light conditions.



Excellent loading capacity

Passed mechanical load testing 5400Pa



Strong adaptability

Passed TUV salt mist and ammonia resistance testing.



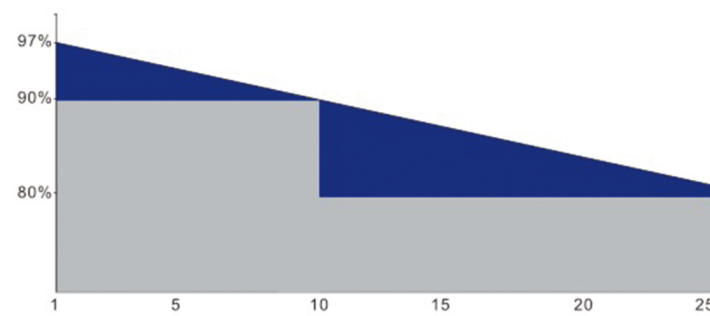
Easy Installation

Suitable for a variety of applications



Durability

High quality raw materials and fine workmanship



GREEN ENERGY PRODUCTS

SPECIFICATION

Module	YS275SP-120	YS280SP-120	YS285SP-120	YS290SP-120	YS295SP-120
Maximum Power (Pmax W)	275	280	285	290	295
Open-circuit Voltage (Voc V)	37.95	38.14	38.31	38.48	38.65
Maximum Power Voltage (Vmp V)	31.22	31.47	31.71	31.91	32.14
Short-circuit Current (ISC A)	9.29	9.38	9.47	9.56	9.65
Maximum Power Current (Imp A)	8.81	8.90	8.99	9.09	9.18
Module Efficiency STC (%)	16.3	16.6	16.9	17.2	17.5
Power Tolerance	0~+5W				
Temperature coefficients of Isc (A-Isc)	+0.054%° C				
Temperature coefficients of Voc (B-Voc)	-0.300%° C				
Temperature coefficients of Pmax (C-Pmp)	-0.370%° C				
Standard Testing Condition (STC)	Irradiance 1000W/m ² , Cell Temperature 25° C, AM1.5G				

Remark: The technical specification belongs to 60-cell half-cell poly module series only.

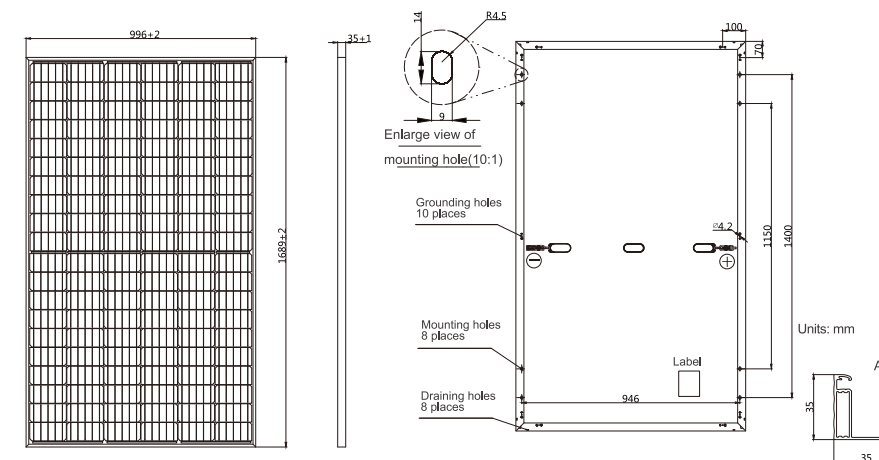
SPECIFICATION

Module Type	Polycrystalline
Dimension	1689 ± 2 * 996 ± 2 * 35 ± 1 (mm)
Weight	18.7kg ± 3%
No. of Cells	120 (pcs)
Packing	31sets/ctn

APPLICATION

Maximum System Voltage	1000V/1500V DC(IEC)
Operating Temperature	-40°C ~ +85°C
Maximum Series Fuse Rating	20A
Nominal Operating Cell Temperature (NOCT)	45 ± 2°C
Application Class	Class A

Engineering Drawing

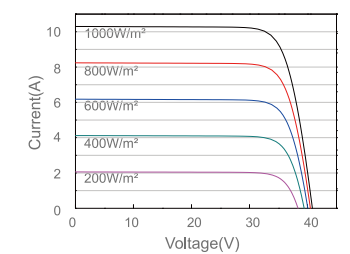


Front

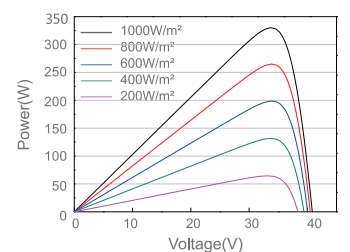
Frame Size

Linear Characteristic

Current-Voltage Curve



Power-Voltage Curve



Tel: +86 753 2880123

Email: info@gdyssolar.com

Web: www.gdyssolar.com

Guangdong Yaosheng Solar Technology Co., Ltd.

www.gdyssolar.com

YS SOLAR reserves the final right for explanation on any of the information presented hereby.