

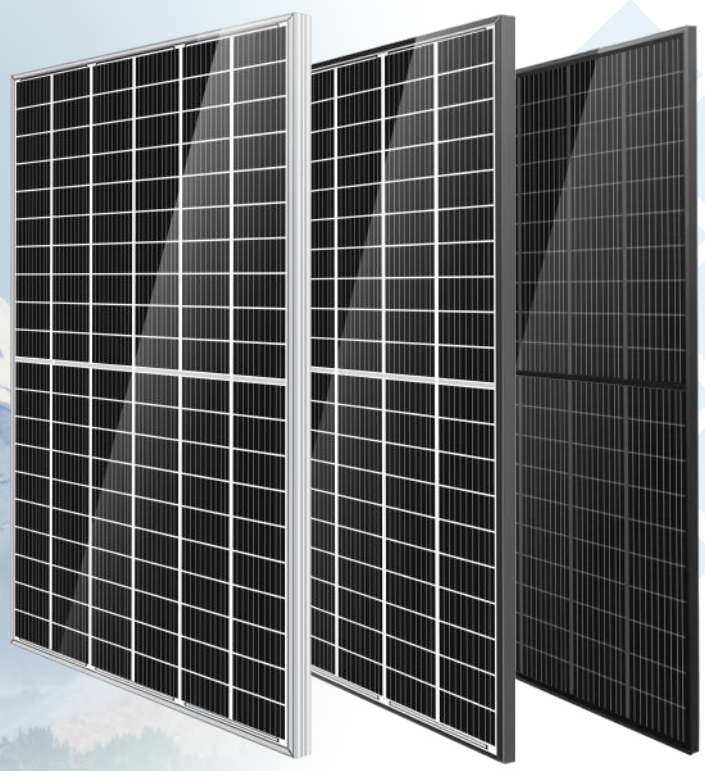


Monocrystalline

Polycrystalline

# LP158\*158-M-60-MH

Rated Power 330-345W



**9BB Cell**  
More uniform current collection capability, reducing the current heat loss of the internal cells.



**Low Light Features**  
Higher performance under low light environment.



**Higher Output Power**  
The output power of 120 half-cells Monocrystalline modules is up to 345W.



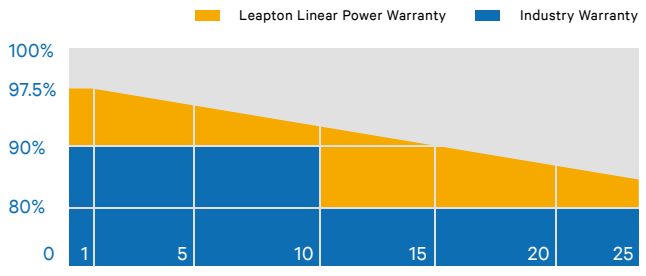
**PID Protection**  
Ensure the attenuation probability caused by PID phenomenon is minimized.



**Harsh Environmental Adaptability**  
Strict salt spray and ammonia corrosion test by TUV Nord.



**Load Capacity**  
Mechanical load tests including wind load 2400 Pa and snow load 5400 Pa done by TUV Nord.



J-PEC Product



• IEC61215  
• IEC61730



• Salt Spray Certificate  
• IEC61701  
(Salt Mist Corrosion Test)



• TUV PID Certificate

Headquarter : Leapton Energy Co., Ltd.

Tosei Bldg. 6F, 1-2-1 Aioli-cho, Chuo-ku Kobe-shi, Hyogo, 650-0025, Japan

Manufacturer : Leapton Solar (Changshu) Co., Ltd.

No.9, Sunshine Avenue, Changshu City, Jiangsu, China

+81-78-382-3182

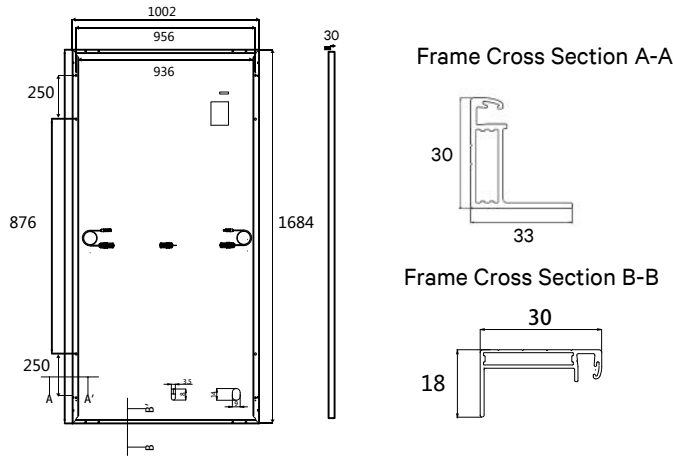
www.leaptonenergy.jp

+86-512-88800068

info@leaptonenergy.com

www.leaptonpv.com

### MECHANICAL DIAGRAMS



### SPECIFICATIONS

Weight	19kg
Dimensions	1684mm*1002mm*30mm
Cell Dimensions	158*158mm
Cell Amount	60*2 pcs
Maximum System Voltage	1000/1500V
Junction Box	IP68
Frame	Aluminum Alloy
Cable	4mm <sup>2</sup> , Landscape: N 1100mm/P 1100mm Portrait: N 150mm/P 300mm
Connector	MC4 compatible
Application Level	Class A

### ELECTRICAL PARAMETERS AT STC

Power	330W	335W	340W	345W
Open Circuit Voltage	40.60V	40.80V	41.10V	41.30V
Short Circuit Current	10.40A	10.50A	10.60A	10.65A
Maximum Power Voltage	33.80V	34.00V	34.20V	34.40V
Maximum Power Current	9.76A	9.85A	9.94A	10.03A
Module Efficiency	19.6%	19.9%	20.1%	20.4%

\* Under Standard Test Conditions (STC) of irradiance of 1000 W/m<sup>2</sup>, spectrum AM 1.5 and cell temperature of 25°C.

### ELECTRICAL PARAMETERS AT NMOT

Power	249W	253W	257W	261W
Open Circuit Voltage	38.20V	38.40V	38.70V	38.90V
Short Circuit Current	8.39A	8.46A	8.55A	8.62A
Maximum Power Voltage	31.40V	31.60V	31.80V	32.00V
Maximum Power Current	7.93A	8.01A	8.08A	8.16A
Module Efficiency	14.8%	15.0%	15.2%	15.5%

\* Under Nominal Module Operating Temperature (NMOT), irradiance of 800 W/m<sup>2</sup>, spectrum AM 1.5, ambient temperature 20°C, wind speed 1 m/s.

### TEMPERATURE CHARACTERISTICS

NMOT	41±3°C	Temp Coefficient of ISC	+0.05%/°C
Temp Coefficient of VOC	-0.28%/°C	Temp Coefficient of Pmax	-0.36%/°C

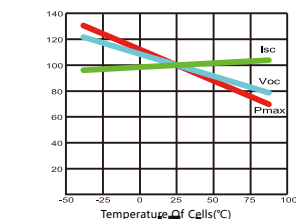
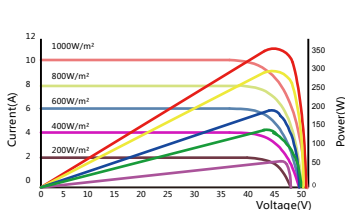
### PACKING CONFIGURATION

Modules/Pallet	36 Pieces	Modules/40'Container	1027 Pieces
Packing Description	26 Pallets, Total=(36+36+7)x13=1027 Pieces		

### CHARACTERISTICS

LP158\*158-M-60-MH-330W

LP158\*158-M-60-MH-330W



### MAXIMUM RATING

Output Tolerance	0~+5W
Operating Temperature	-40°C~+85°C
Wind Load/Snow Load	2400pa/5400pa
Fuse Current	15A



Headquarter : Lepton Energy Co., Ltd.

Tosei Bldg. 6F, 1-2-1 Aioi-cho, Chuo-ku Kobe-shi, Hyogo, 650-0025, Japan

Manufacturer : Lepton Solar (Changshu) Co., Ltd.

No.9, Sunshine Avenue, Changshu City, Jiangsu, China

+81-78-382-3182

www.leptonenergy.jp

+86-512-88800068

info@leptonenergy.com

www.leptonpv.com