

Steca XPC

1400-12, 2200-24, 2200-48

The Steca XPC series of inverters combine a very high overload capacity with the capability to operate highly critical loads.

Other important features of these high-quality inverters are their powerful device protection and their low own consumption. The Steca XPCs combine a sine wave inverter, four-stage battery charger and transfer system in one device, therefore making them also suitable for hybrid systems. The built-in multifunctional contact enables you, for example, to switch on and off diversion loads for excess power or start a diesel generator to recharge batteries.

Product features

- True sine wave voltage
- Excellent overload capabilities
- Optimal battery protection
- Adjustable integrated battery charger
- Automatic load detection
- Best reliability
- Can be used as a back-up system or uninterruptible power supply (UPS)
- Multifunction contact
- Ultra-fast transfer relay

Electronic protection functions

- Deep discharge protection
- Battery overvoltage shutdown
- Overtemperature and overload protection
- Short circuit protection
- Reverse polarity protection by internal fuse
- Acoustic alarm at deep discharge or overheating

Displays

- 7 LEDs show operating states
- ~ for operation, fault messages

Operation

- Main switch
- Adjustable load detection
- Programming by buttons

Options

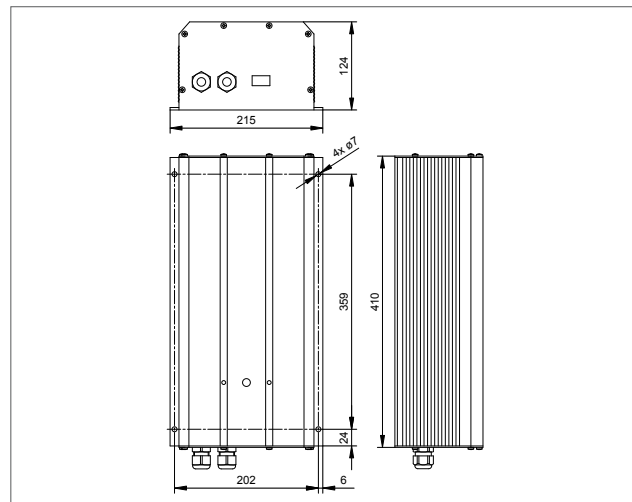
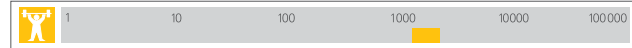
- Type with 230 V / 60 Hz
- Type with 115 V / 60 Hz
- Model with protective lacquered mainboard
- Protection cover C-IP23 to raise the degree of protection
- Remote control RCC-01
- CFC-01 cable entry for strain relief and protection of connections
- Temperature sensor CT35 to correct the voltage thresholds according to the current battery temperature

Certificates

- Compliant with European Standards (CE)
- RoHS compliant



1,400 W...2,200 W



	1400-12	2200-24	2200-48
Characterisation of the operating performance			
System voltage	12 V	24 V	48 V
Continuous power	1,100 VA	1,600 VA	1,600 VA
Power 30 min.	1,400 VA	2,200 VA	2,200 VA
Power 5 sec.	3,300 VA	4,800 VA	4,800 VA
Max. efficiency	94 %	95 %	95 %
Own consumption standby / ON	0.6 W / 4 W	0.9 W / 7 W	1.3 W / 7 W
Input side			
Input voltage	adjustable: 150 V AC ... 230 V AC		
Charging current adjustable	0 A ... 45 A	0 A ... 37 A	0 A ... 20 A
Max. current on transfer system	16 A		
Switching time transfer relay	< 40 ms		
Battery side			
Battery voltage	9.5 V ... 16 V	19 V ... 32 V	38 V ... 64 V
Battery monitoring	LVD, HVD, floating and equalisation voltage adjustable by user via optional remote control RCC-01		
AC output side			
Output voltage	230 V AC +0 / -10 % (true sine wave)		
Output frequency	50 Hz +/-0.05 % (crystal controlled)		
Load detection (standby)	adjustable: 1 W ... 25 W		
Operating conditions			
Ambient temperature	-20 °C ... +55 °C		
Fitting and construction			
Cable length battery	165 cm		
Degree of protection	IP 20 / with optional top cover: IP 22		
Dimensions (X x Y x Z)	215 x 410 x 124 mm		
Weight	11.7 kg	12.6 kg	

Areas of application:



Technical data at 25 °C / 77 °F