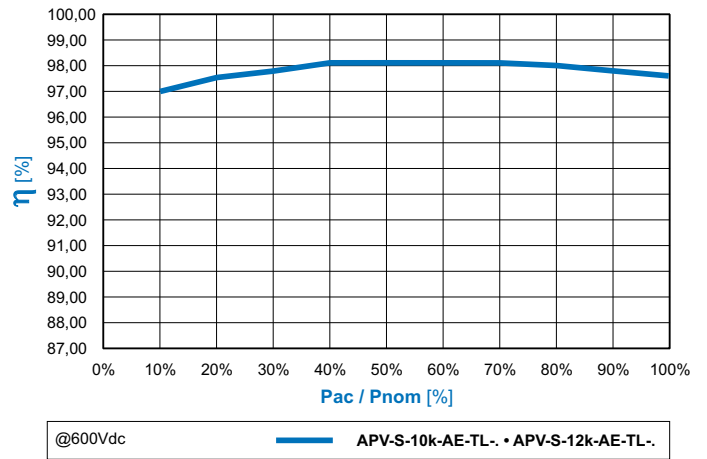


Size APV-S-10k/12k-AE-TL- • Dimensions and weight - Technical data

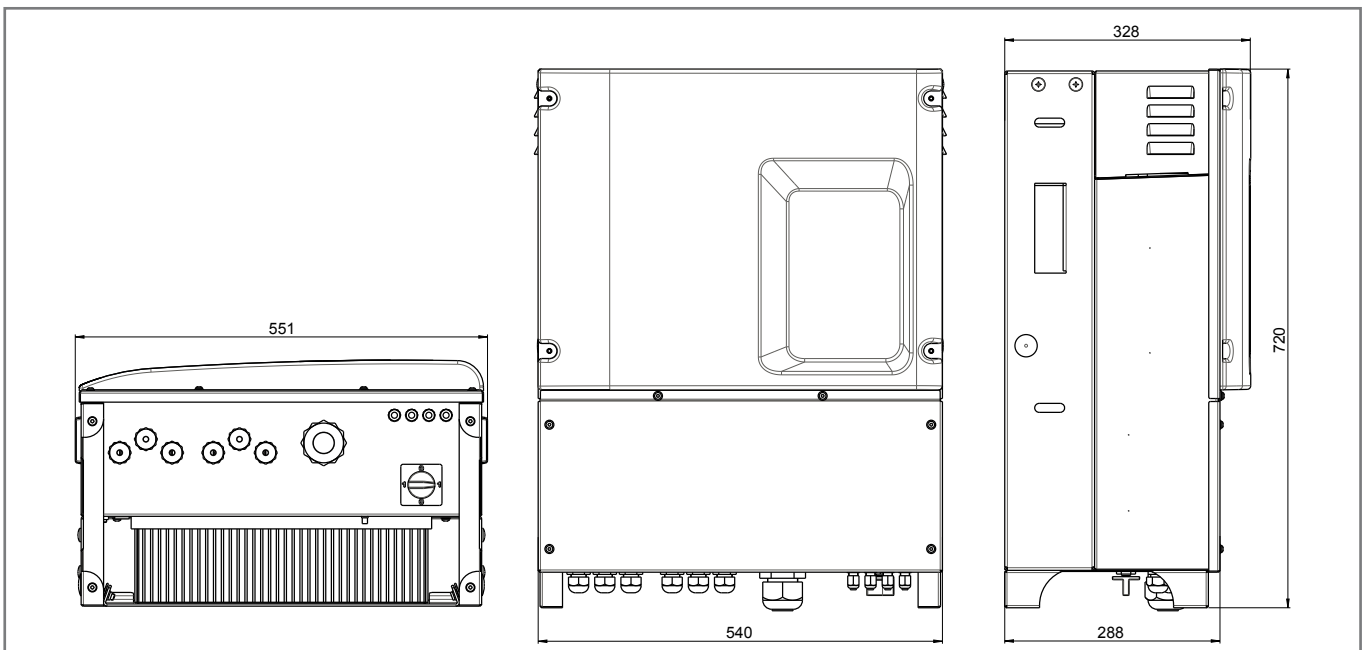


5 years
warranty

APV-S-10K/12k-AE-TL- efficiency curve.



Dimensions and weight



APV-S- Model		10k-AE-TL-1	10k-AE-TL-2	12k-AE-TL-1	12k-AE-TL-2
Dimensions (W x H x D): Width x Height x Depth	[mm]	551 x 720 x 328			
	[inches]	21.7 x 28.3 x 11.3			
weight	[kg] [lbs]	60,5	60,5	60,5	60,5

Technical data

String inverter - APV-S- Model			10k-AE-TL-1	10k-AE-TL-2	12k-AE-TL-1	12k-AE-TL-2
DC INPUT						
Maximum DC voltage	U _{DC max}	[V]	1000			
MPPT range (@ maximum power)		[V]	350 ... 800		420 ... 800	350 ... 800
Start-up voltage		[V]	> 200			
Rated DC link voltage	U _{NOM}	[V]	650			
MPPT number	N. MPPT		1	2	1	2
Number of strings for each MPPT	N.		3	2	3	2
Maximum DC current per MPPT	I _{DC max}	[A]	33.7	22.5	33.7	22.5
Connection type			Standard terminals with pressure spring			
AC OUTPUT						
Rated AC power (from cosphi -0,9 to cosphi 0,9)	P _{NOM AC}	[kW]	10	10	12	12
AC Rated current / Max current	I _{AC max}	[A]	14.4 / 16	14.4 / 16	17.3 / 19.2	17.3 / 19.2
AC voltage	U _{AC}	[V]	400V 3-phases + Neutral (output voltage range 320 ... 480 ⁽¹⁾)			
Grid frequency	f _{AC}	[Hz]	50/60 (output frequency range 47...53/ 57...63 ⁽¹⁾)			
Grid connection			TN-C / TN-S / TN-C-S / TT			
THDI	THD grid	[%]	≤ 3			
Power factor (settable)	cosphi		± 0.8			
Connection type			Standard terminals with pressure spring			
EFFICIENCY RATING						
Maximum efficiency		[%]	98.1	98.1	98.1	98.1
European efficiency (Euro ETA)		[%]	97.7	97.7	97.7	97.7
PROTECTIONS						
Interface protection (grid monitor)			Integrated (Excluded models for Italy)			
Anti-Islanding			Integrated (Where required by local regulations)			
Insulation control			Integrated			
Residual current monitoring			Integrated			
Reverse DC polarity protection			Integrated			
AC/DC overvoltage category			Type 3 SPD standard with thermal protection and DC side indication			
DC Injection control			Integrated			
DC circuit breaker (optional)			Circuit breaker under load (-S models)			
DC Fuses and String failure detection (option)			12A fuses on both poles of each string + Current sensors for each string (-F models)			
GENERAL DATA						
Tipo display			2 alphanumeric lines display (KB)			
Tipo di raffreddamento			Natural convection			
Certification			CE; VDE V 0126-1-1, VDE-AR-N 4105; CEI 0-21, CEI 0-16 ed. III; RD 661 – RD1699; South African Grid code, NRS 097-2-1.			

(1) The output voltage and frequency interval may vary according to the network connection standard.