



Movable Power Station

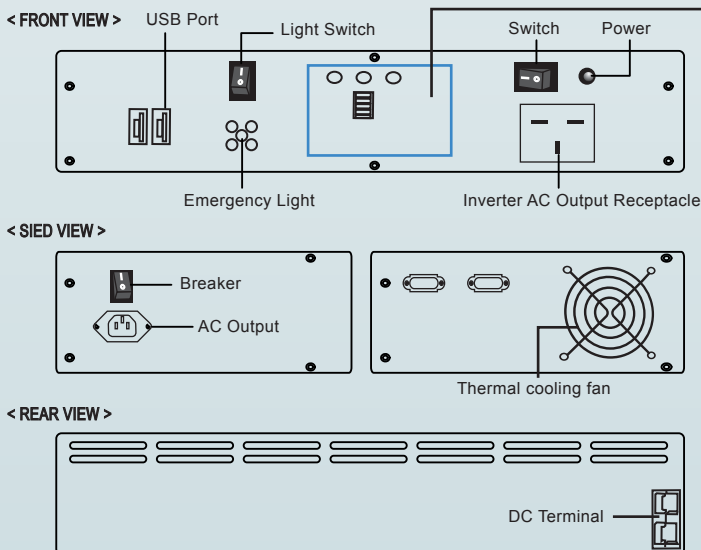
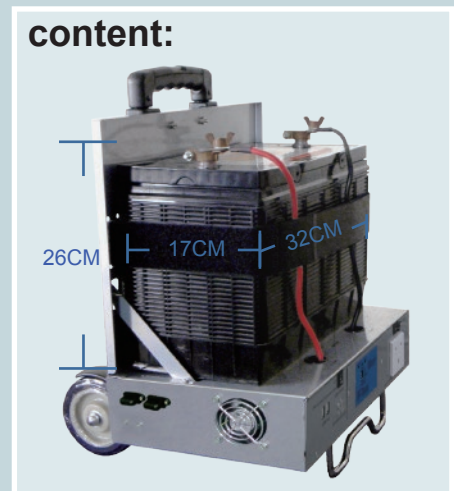
HT-T-M1000



T (trolley series)--Inverter/Charger with trolley and battery box: 1000W inverter with 10A charger + 20A solar charger controller (option) + 100A lead acid battery (Recommended/ Option).

- (1) USB port. (5V / 2A)
- (2) Switch mode design.
- (3) Bypass function.
- (4) Max. 100Ah battery space.
- (5) Inverter re-start function.
- (6) 3-stage charger design --- bulk, absorption, float.
- (7) Wide volt range operation (90~135V, 180~265V)
- (8) Durable and corrosion resistant construction.
- (9) Transformer isolated for safety.
- (10) Compact and dexterous dimension design.
- (11) Emergency backup light (LED) function.
- (12) 20A PWM solar charger controller – option.
- (13) A Movable power system --- Modified sine wave inverter with multistage 10A battery charger.
- (14) Complete protection design --- overload, overtemp, short circuit, high/low volt ...etc.

content:



Inverter ON AC IN

Charger

Battery Volt & Charger Step


14V
13V
12V
11V
10V (Fault)

Charger Step —
Bulk: 40% graph flash
Absorption: 60% graph flash
Float: 100% graph flash

Fault (red):
No battery, low input volt,
high input volt, overtemp,
overload, short circuit.



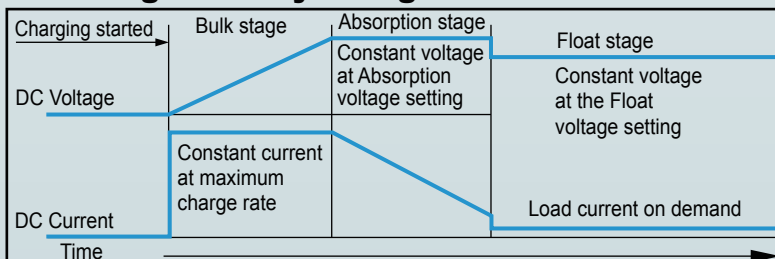
SPECIFICATION

Model No.:	HT-T-M1000-12
Inverter	
DC input volt:	12V
Volt range:	10-16VDC
Surge power:	2000W
Continuous power:	1000W
Wave form:	Modified Sine Wave 
AC voltage:	100V / 120V / 230V
Frequency:	50/60Hz±3%
AC Regulation:	±8%(100V:±10%)
No load current draw:	0.6A
Bat. low alarm:	10.5±0.5V
Bat.low shutdown:	10±0.5V
Over voltage:	16±0.5V
Bat .Polarity Reverse:	Fuse burn out
Over load:	Re-start 1 time, shutdown if failed
Bypass function:	Yes
Charger	
Output current:	10A
AC input volt:	120V(90-135V) / 230V(180-265V)
Charging type:	multistage
Bulk stage:	14.5±0.5V, 10A
Absorption stage:	14.5±0.5V, 10A-1A
Float stage:	13.6±0.5V, min. 0.5A
Frequency:	45-65Hz
Recommended Battery Type:	Lead acid
Recommended Battery Size:	40-160AH
PROTECTION	
Over load protection:	Yes
Over temp protection:	Yes
Inverter input reverse protection:	Fuse blow
Charger output reverse protection:	Fuse blow
Inverter output short circuit protection:	Shut-off
Over temperature:	55°C ±5°C
ENVIRONMENT	
Working temp.:	-15°C ~45°C
Storage temp.:	-25°C ~70°C
Working humidity:	20%~90% RH non-condensing
Storage humidity:	-30°C~ 70°C, 10~95% RH
Temp. Coefficient:	±0.05%/°C(0~55°C)
OTHERS	
Dimension(LxWxH):	403x340x455mm
Net weight:	9.0kgs(without battery)

Optional

EXTRA FUNCTION	
Model no.	HT-T-M1000SC-12
Solar charger controller:	20A(PWM)
Net weight:	9.2kgs

multistage Battery Charger



socket type :

