



Kenjitsu Elite KEPV2000SS
Single phase-220V 2KW

Elite



Single phase Solar inverter
5 years warranty

力
KENJITSU



Kenjitsu Elite PV Inverter

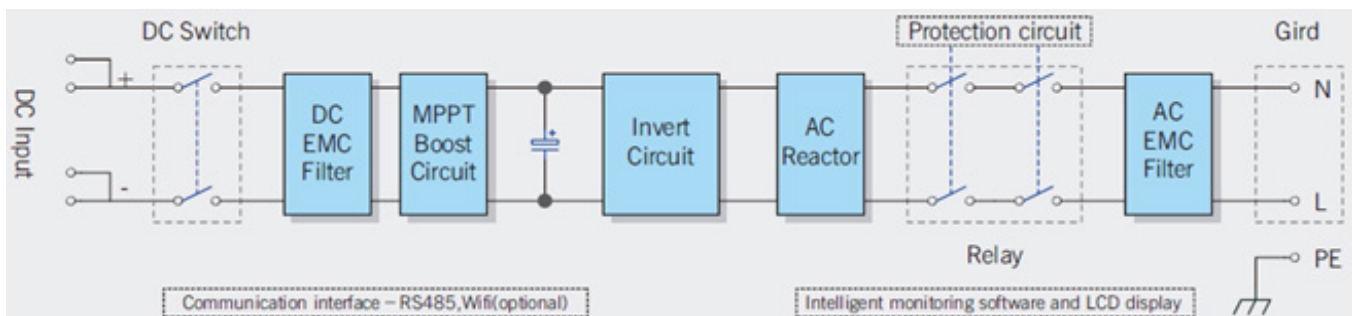
Single phase-220V String-type Inverter series is the ideal solution for roof-top solar system solution.

With the characteristics of high efficiency and reliability, compact design and easy installation, it is applicable to distribute power generation

Features:

- Transformer-less design and Compact in Size
- Harshpest IP65 industrial protection.
- Provide Single and Double MPP Trackers for different application demands.
- Firmware is upgradable via RS232 port.
- Parallel up to 50 units via RS485 port
- Comply with latest VDE AR N4105 standard
- MPP efficiency > 99.9%
- Maximum efficiency > 97.5%
- Mimic LCD display
- Versatile Communication Interface options, Standard RS485, RS485/WiFi and Ethernet/WiFi may reach up to your utmost request.

Internal KEPV2000 Diagram



Inverter Model	KEPV2000SS
Input (DC)	
Max. PV power [W]	2400W
Max. DC voltage [V]	450
Max. input current [A]	11A
Number of MPPtrackers /Strings per MPP tacker	1/1
MPPT voltage range(at rated power) [V]	150-450
Shutdown voltage /Start voltage [V]	70 / 120
Output (AC)	
AC nominal power [W]	2000W
Max. AC power [W]	2200W
Max. AC current [A]	11A
Rated AC voltage/ range (V)	220V(L-N,G) /150-262
AC grid frequency / range [Hz]	60+/-0.5%
Power factor (cosφ), adjustable	0.9 leading... 0.9 lagging adjustable
Total harmonic distortion (THDi)	<3%
Efficiency	
Max. Efficiency	96.00%
Euro-efficiency	95%
MPPT efficiency	99.90%
Protection	
DC Reverse Polarity Protection	Yes
DC Swtch for each MPPT	Yes
AC Short Circuit Protection	Yes
Output overvoltage protection- Varistors	Yes
Ground fault monitoring	Yes
Grid Monitoring	Yes
Islanding protection	Yes
General Data	
Dimension WXHXD(mm)	335×580×170
Weight [kg]	13.5
Operating temperature range [°C]	-20~+60(derating above 72°C)
Ingress Protection	IP65
Topology	Transformerless
Internal consumption(night) [W]	<2
Cooling Method	Fan
Noise (typical) [dB]	<35
Communication Interface	RS485 / WIFI(optional)
Alarm	LCD, LED
Monitoring Software	KS Monitor
Parallel UP to how many uints	32
Standard Warranty (year)	5
Certification	CE /TUV