



Mercury Series Single-phase String Inverters PM-1500~3000TL-SS



Exquisite Trustworthy Intelligent Profitable



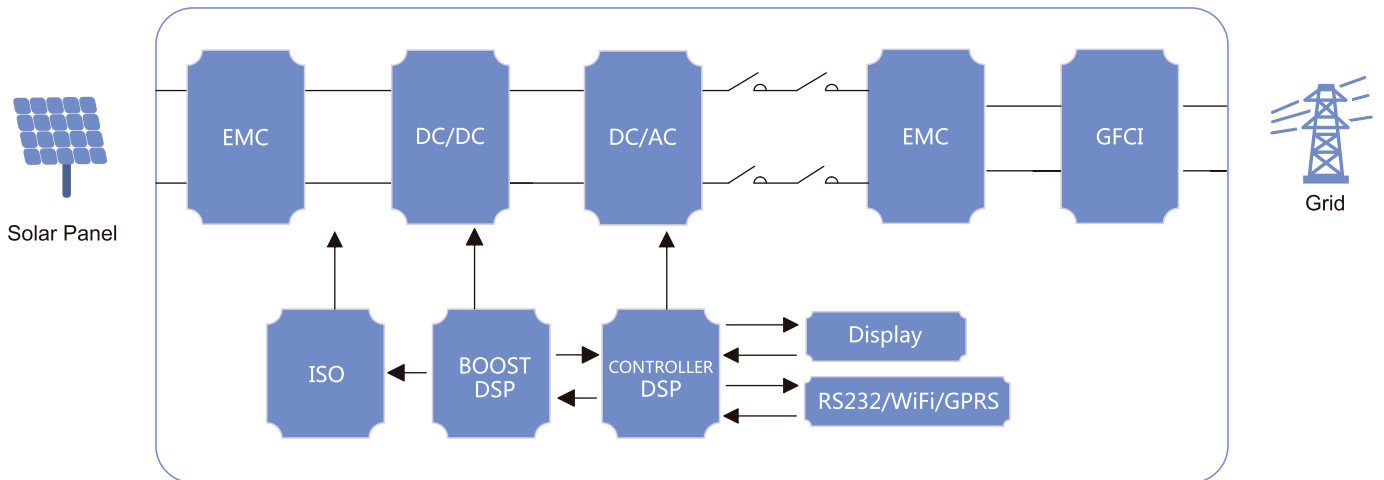
FEATURES

FEATURES
Components from world class suppliers
Automotive class PCB technology
Optimized thermal design
Silicone Rubber Gaskets & Seals
Integrated enclosure design
Integrated air valve
1000 hours of neutral salt spray testing
User friendly interface
Intelligent monitoring system

ADVANTAGES
Longer MTBF (Mean Time Between Failures)
Higher quality guaranteed
Lower heat generation Faster heat dissipation
High performance sealing
High performance sealing possible Less chance of moisture invasion
Reduction of condensation
Suitable for harsh environments
Easy to operate
Easy to manage and maintain

BENEFITS
More electricity output Less down time
Reliable and stable under severe conditions
Lower internal operation temperature Longer component life
Reliable and stable under severe conditions
Suitable for humid operation environments
Operable in more applications: fishing ponds, agricultural area, greenhouses, coastal areas
Easy installation and maintenance possible
Data analysis Less maintenance

CIRCUIT DIAGRAM





Mercury Series Single-phase String Inverters PM-1500~3000TL-SS



TECHNICAL DATA

Model	PM-1500TL-SS	PM-2000TL-SS	PM-2500TL-SS	PM-3000TL-SS
Input (DC)				
Max. DC Power	1600W	2100W	2600W	3200W
Max. Input Voltage	500V	500V	500V	500V
MPP Voltage Range/Nominal Input Voltage	140V-400V/380V	170V-400V/380V	185V-450V/380V	228V-450V/380V
MPP Voltage Range for Nominal Power	100V-450V	100V-450V	100V-450V	100V-450V
Startup Voltage	110V	110V	110V	110V
Max. Input Current per String	11.5A	12.5A	14A	14A
Shortcircuit Current	13.5A	14.5A	16A	16A
Number of Independent MPP Inputs	1	1	1	1
Output (AC)				
Rated Power	1500W	2000W	2500W	3000W
Max. Apparent AC Power	1500VA	2000VA	2500VA	3000VA
Nominal AC Voltage	220V/230V/240V	220V/230V/240V	220V/230V/240V	220V/230V/240V
Nominal AC Voltage Range	180V-277V	180V-277V	180V-277V	180V-277V
AC Power Frequency	50Hz/60Hz	50Hz/60Hz	50Hz/60Hz	50Hz/60Hz
Max. Output Current	6.8A	9.1A	11.4A	13.6A
Power Factor	0.9 ind...0.9 cap	0.9 ind...0.9 cap	0.9 ind...0.9 cap	0.9 ind...0.9 cap
Total Harmonic Distortion (THD)	<3%	<3%	<3%	<3%
Feed-in Phases/Connection Phases	L+N+PE	L+N+PE	L+N+PE	L+N+PE
Efficiency				
Max. Efficiency	96.8%	97.1%	97.2%	97.2%
European Weighted Efficiency	96.0%	96.0%	96.2%	96.4%
Protective Devices				
DC Reverse Polarity Protection		Yes		
DC Switch		Optional		
AC Over Current Protection		Yes		
Ground Fault Monitoring		Yes		
Grid Monitoring		Yes		
Residual Current Monitoring Unit		Yes		
General Data				
Dimensions (W/H/D)		326*349*135		
Weight		10.5kg		
Operating Temperature Range		-25°C...60°C		
Noise Emission (typical)		<=25dB(A)		
Max. Operating Altitude		4000m (>3000m derating)		
Standby Losses		<0.5W		
Topology		Transformerless		
Cooling Concept		Natural Convection		
Degree of Protection (according to IEC 60529)		IP65		
Relative Humidity		0-100%, no condensation		
Feature				
AC Connection Type		MC/Amphenol/Phoenix		
DC Connection Type		Plug-in connector		
Display		LCD Light		
Interface		RS232 (WiFi/GPRS Optional)		
Warranty: 5/10 years		Standard/Optional		
Certifications & Standards		CE, VDE-AR-N4105, CQC, SAA		

