

SSC250K (L) PV Inverter

SSC Series

With efficient low-frequency isolation design, the SSC series inverters are applied to large-scale photovoltaic power plants. The paralleling mode and wide input DC voltage range brings the power plant design more flexible. The perfect thermal design guarantees cooling efficiency and stable operation. Equipment maintenance is more convenient with the user-friendly menu , powerful data storage & processing .



High Yields:

- Maximum efficiency of 98.4%
- Best tracking efficiency with, advanced MPP tracking

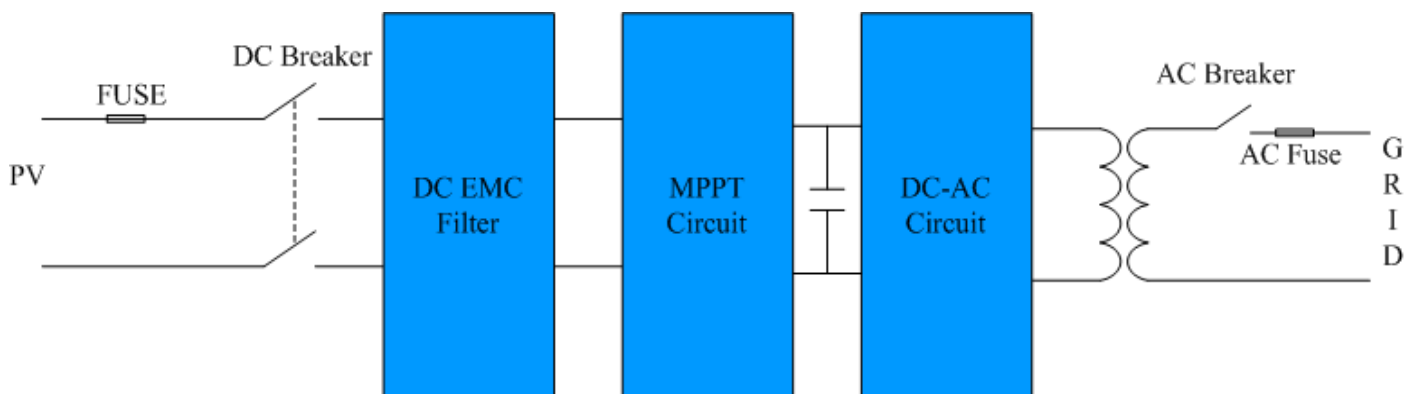
Reliable:

- Low Voltage Ride Through
- PC board isolation within the cabinet
- Galvanic isolation
- Dual intelligent, data processing, detecting and protection

User-friendly:

- Unified interface management, and modular design
- Multilingual LCD display
- Support RS485 , Ethernet and GPRS

Diagram :



Technical data

Model	SSC250K	SSC250KL
Input Data		
Max. DC Voltage	1000 Vdc	
MPPT Voltage Range	450-820 Vdc	
Max. DC input power	285kW	
Max. Input current	600A	
Number of Parallel Inputs	5	
Number of MPP Trackers	1	
Output Data		
Nominal AC Output Power (kW)	250	
Max. Output Power (KW)	275	
Nominal Output Current (A)	365	535
Max Output Current (A)	400	589
Nominal AC Output Voltage (Vac)	400	270
AC Output voltage range (Vac)	360-440	243-297
AC Grid frequency range (Hz)	50	
Power Factor (cosφ)	0.9 (leading) ~0.9 (lagging)	
THDI	<3%,	
Max. efficiency	97.3%	98.4%
Euro. efficiency	96.8%	98.0%
MPPT. efficiency	99.9%	99.9%
General data		
Operating Temperature(°C)	-25°C ~ +60°C(derated power above50°C)	
Altitude (m)	6000(derated power above 3000m)	
Noise typical [dB(A)]	<65	
Operating Consumption (W)	<100	
Electrical Isolation	Transformer	Transformerless
Cooling Concept	Fan Cooling	
Protect Level	IP20	
Communication	RS485	
Dimension (W×D×H) (mm)	1985*900*1850	1000*900*1850
Weight (Kg)	1750	890