

# SSP3118C Series

## Wall Mounted Integrated Solar Power Inverter System

1-5KVA



### Product snapshot:

Model : 1-5KVA
Nominal Voltage : 220/230VAC
Nominal Frequency : 50/60HZ
Output Power Factor: 0.8

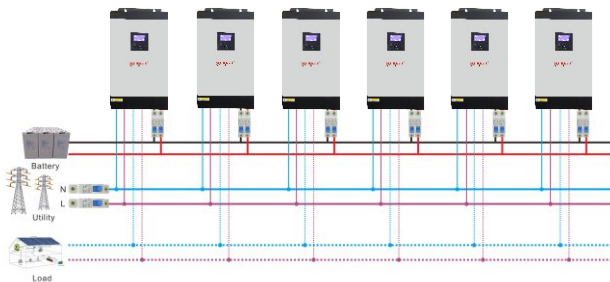
### Key Features:

- Pure sine wave inverter
- Cold start function
- Auto restart while AC is recovering
- Overload and short circuit protection
- Optional remote panel available
- Selectable charging current based on applications
- Configurable AC/Solar input priority via LCD setting
- Compatible to mains voltage or generator power
- Smart battery charger design for optimized battery performance
- Parallel operation with up to 6 units only available for 4KVA/5KVA
- Selectable input voltage range for home appliances and personal computers

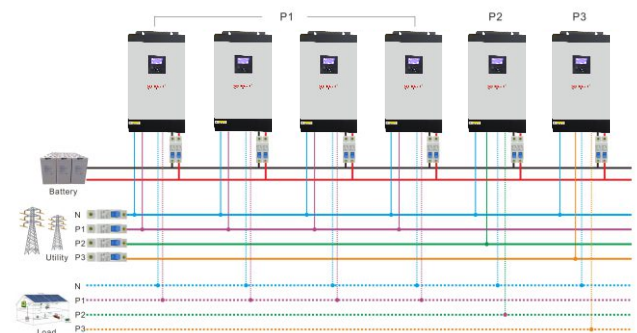


GPRS Remoter Monitor  
Optional

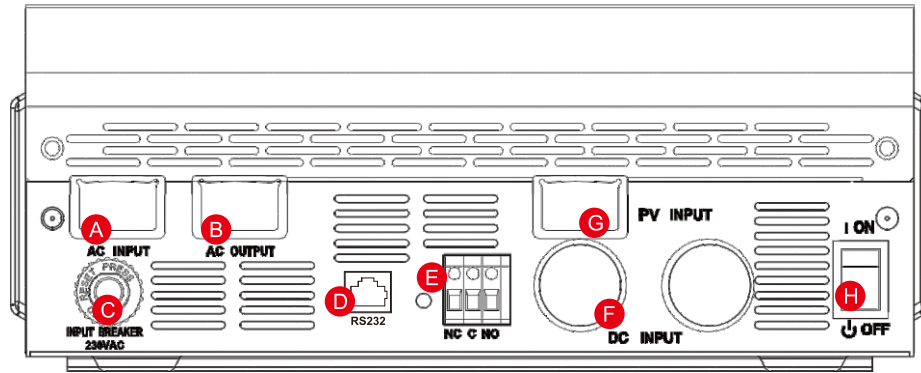
#### ■ Single phase output up to 24kw using 6 units



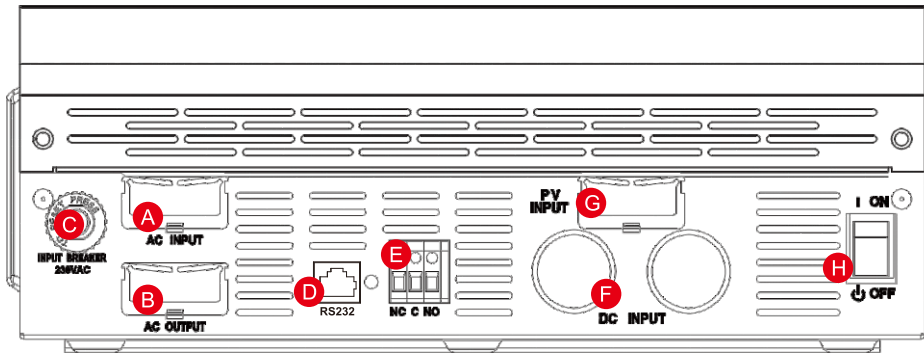
#### ■ Three phase output using either 3 units (12kw) or max 6 units (24kw)



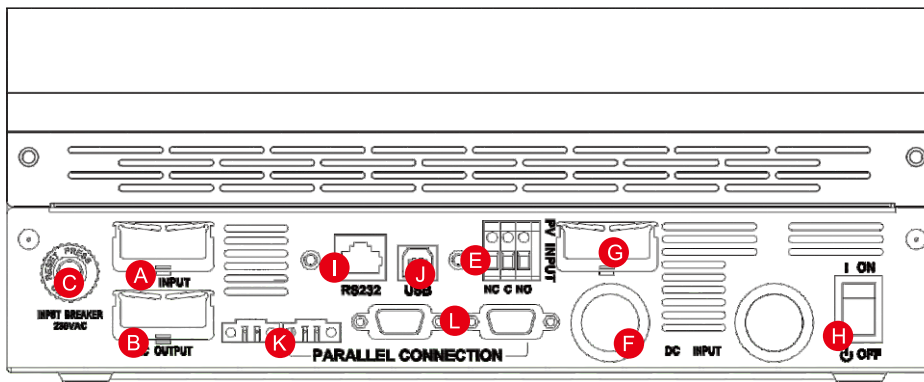
Function Description:



SSP3118C 1KVA



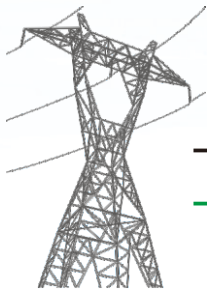
SSP3118C 2-3KVA



SSP3118C 4-5KVA

- |                                   |                              |  |
|-----------------------------------|------------------------------|--|
| <b>A</b> AC input                 | <b>E</b> Dry contact         | <b>I</b> RS232 COMMUNICATION PORT                                  |
| <b>B</b> AC output                | <b>F</b> DC Output           | <b>J</b> USB communication port(optinal)                           |
| <b>C</b> Circuit breaker          | <b>G</b> PV input            | <b>K</b> Current sharing cable<br>(only for parallel model)        |
| <b>D</b> RS232 COMMUNICATION PORT | <b>H</b> Power on/off switch | <b>L</b> Parallel communication cable<br>(only for parallel model) |

Parallel operation with up to 6 units only available for 4KVA/5KVA



Input

Input

Input

AC Load

**Built-in MPPT**

**Wall Mounted**



**SSP3118C1****Wall Mounted Integrated Solar Power Inverter technical specification****Built-in PWM Solar controller**

MODEL	C1 1K-1250	C1 2K-2450	C1 3K-2450	C1 4K-4850	C1 5K-4850
Rated Power	1000VA/800W	2000VA/1600W	3000VA/2400W	4000VA/3200W	5000VA/4000W
<b>INPUT</b>					
Voltage	230 VAC				
Selectable Voltage Range	170-280 VAC (For Personal Computers) 90-280 VAC (For Home Appliances)				
Frequency Range	50 Hz/60 Hz (Auto sensing)				
<b>OUTPUT</b>					
AC Voltage Regulation (Batt. Mode)	230VAC $\pm$ 5%				
Surge Power	2000VA	4000VA	6000VA	8000VA	10000VA
Efficiency (Peak)	90%	93%			
Transfer Time	10 ms (For Personal Computers) 20 ms (For Home Appliances)				
Waveform	Pure sine wave				
<b>BATTERY</b>					
Battery Voltage	12 VDC	24 VDC			48 VDC
Floating Charge Voltage	13.5 VDC	27 VDC			54 VDC
Overcharge Protection	15.5 VDC	31 VDC			60 VDC
<b>SOLAR CHARGER &amp; AC CHARGER</b>					
Maximum PV Array Open Circuit Voltage	50 VDC	60 VDC			105 VDC
Standby Power Consumption	1W	2W			2W
Maximum Solar Charge Current	50A	50A			50A
Maximum AC Charge Current	20A	30A			60A
Maximum Charge Current	50A	50A			110A
<b>PHYSICAL</b>					
Dimension, D x W x H (mm)	100 x 240 x 318	105 x 272 x 355		120 x 295 x 468	
Net Weight (kgs)	5.0	6.4	6.9	9.8	
<b>OPERATING ENVIRONMENT</b>					
Humidity	5% to 95% Relative Humidity(Non-condensing)				
Operating Temperature	0°C to 55°C				
Storage Temperature	-15°C to 60°C				

STANDARD:EN 62109-1:2010 EN 62109-2:2011 EN 62040-1:2008+A1:2013 IEC 62109-1:2010 IEC 62109-2:2011

Note:Product specifications are subject to change without further notice.

## SSP3118C2

### Wall Mounted Integrated Solar Power Inverter technical specification

#### Built-in MPPT Solar controller

MODEL	C2 1K-2425	C2 2K-2425	C2 3K-2425	C2 4K-4860	C2 5K-4860
Rated Power	1KVA/800W	2KVA/1600W	3KVA/2400W	4KVA/3200W	5KVA/4000W
<b>INPUT</b>					
Voltage	230 VAC				
Selectable Voltage Range	170-280 VAC (For Personal Computers) 90-280 VAC (For Home Appliances)				
Frequency Range	50 Hz/60 Hz (Auto sensing)				
<b>OUTPUT</b>					
AC Voltage Regulation (Batt. Mode)	230VAC ± 5%				
Surge Power	2000VA	4000VA	6000VA	8000VA	10000VA
Efficiency (Peak)	90%	93%			
Transfer Time	10 ms (For Personal Computers) 20 ms (For Home Appliances)				
Waveform	Pure sine wave				
<b>BATTERY</b>					
Battery Voltage	24 VDC		48 VDC		
Floating Charge Voltage	27 VDC		54 VDC		
Overcharge Protection	31 VDC		60 VDC		
<b>SOLAR CHARGER &amp; AC CHARGER</b>					
Maximum PV Array Power	600W		600W	3000W	3000W
MPPT Range @ Operating Voltage	30 ~ 66VDC		30 ~ 66VDC	60 ~ 115VDC	
Maximum PV Array Open Circuit Voltage	75VDC		75VDC	145VDC	
Maximum Solar Charge Current	25A		25A	60A	60A
Maximum AC Charge Current	20A	30A	30A	60A	
Maximum Charge Current	25A	30A	30A	120A	120A
	AC charger and solar charger can't work at the same time.				
Maximum Efficiency	98%				
Standby Power Consumption	2 W				
<b>PHYSICAL</b>					
Dimension, D x W x H (mm)	105 x 272 x 355			120 x 295 x 468	
Net Weight (kgs)	6.8		7.4	11	
<b>OPERATING ENVIRONMENT</b>					
Humidity	5% to 95% Relative Humidity(Non-condensing)				
Operating Temperature	0°C to 55°C				
Storage Temperature	-15°C to 60°C				

STANDARD: safety: IEC60950-1-1/IEC62040-1-1/ AS 62040-1-1, EMC; IEC62040-2 / AS62040-2/EN50091-2 CLASS, Design and test: IEC62040-3 / AS 62040-3

Note: Product specifications are subject to change without further notice.

# SSP3118C4

## Wall Mounted Integrated Solar Power Inverter technical specification

### Built-in MPPT Solar controller

MODEL	C4 2K-2460	C4 3K-2460	C4 4K-4860	C4 5K-4860
Rated Power	2KVA/1600W	3KVA/2400W	4KVA/3200W	5KVA/4000W
<b>INPUT</b>				
Voltage	230 VAC			
Selectable Voltage Range	170-280 VAC (For Personal Computers) 90-280 VAC (For Home Appliances)			
Frequency Range	50 Hz/60 Hz			
<b>OUTPUT</b>				
AC Voltage Regulation (Batt. Mode)	230VAC ± 5%			
Surge Power	4000VA	6000VA	8000VA	10000VA
Efficiency (Peak)	93%			
Transfer Time	10 ms (For Personal Computers) 20 ms (For Home Appliances)			
Waveform	Pure sine wave			
<b>BATTERY</b>				
Battery Voltage	24 VDC		48 VDC	
Floating Charge Voltage	27 VDC		54 VDC	
Overcharge Protection	31 VDC		62 VDC	
<b>SOLAR CHARGER &amp; AC CHARGER</b>				
Maximum PV Array Power	1500W		3000W	3000W
MPPT Range @ Operating Voltage	30 ~ 115VDC		60 ~ 115VDC	
Maximum PV Array Open Circuit Voltage	145VDC		145VDC	
Maximum Solar Charge Current	60A		60A	60A
Maximum AC Charge Current	20/30A	30A	60A	60A
Maximum Charge Current	60A		120A	120A
Maximum Efficiency	98%			
Standby Power Consumption	2W			
<b>PHYSICAL</b>				
Dimension, D x W x H (mm)	295 x 140 x 440		295 x 140 x 540	
Net Weight (kgs)	11.5		13.5	
<b>OPERATING ENVIRONMENT</b>				
Humidity	5% to 95% Relative Humidity(Non-condensing)			
Operating Temperature	0°C to 55°C			
Storage Temperature	-15°C to 60°C			

STANDARD:EN 62109-1:2010 EN 62109-2:2011 EN 62040-1:2008+A1:2013 IEC 62109-1:2010 IEC 62109-2:2011

Note:Product specifications are subject to change without further notice.