



**Features**

- Transformerless with the three level Topology
- Dual MPPT inputs accommodating wide voltage range
- Compact structure design
- Max efficiency up to 98.3%
- PV input intelligent conjunction (optional)

**Flexibility**

- Indoors and outdoors usage (IP65)
- Easy installation and free maintenance
- RS485/WiFi(optional) communication
- Multi-lingual display with large LCD screen

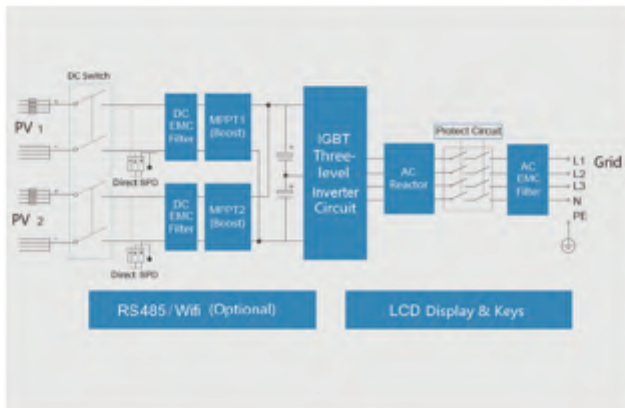
**Reliability**

- Reliable protection for over/under voltage, anti-islanding, short circuit, overload, etc.
- 5-year quality warranty extends to 15 years (optional)
- Comply with NB/T 32004-2013,CQC etc.

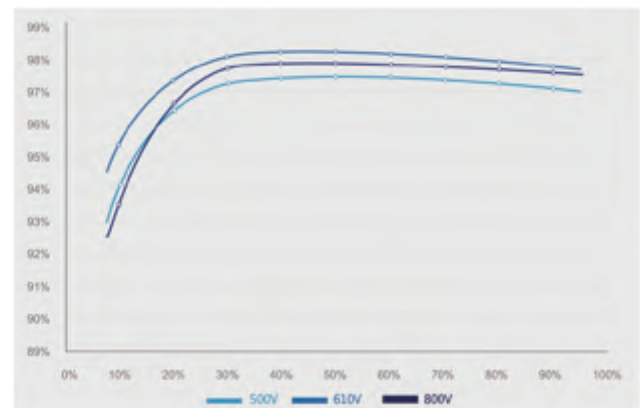
# ST 25000/28000/30000/40000 TL



**DIAGRAM**



**EFFICIENCY**



**Technical Data**

Inverter Model	ST25000TL	ST28000TL	ST30000TL	ST40000TL
<b>Input (DC)</b>				
Recommend Max DC power	26500W	30000W	32000W	40000W
Max DC voltage	1000V	1000V	1000V	1000V
Full load MPPT voltage range /Rated voltage	450-800V/610V	470-800V/610V	500-800V/610V	580-850V/720V
Max input current per MPPT	32A/32A	32A/32A	32A/32A	35A/35A
Start up voltage /On-grid voltage	160V/250V	160V/250V	160V/250V	160V/250V
Number of MPP trackers /Strings per tracker	2/4	2/4	2/4	2/4
<b>Output (AC)</b>				
AC nominal power(@230V,50HZ)	25000W	28000W	30000W	40000W
Max nominal apparent power	27500VA	30800VA	33000VA	40000VA
Longtime Overload	10%	10%	10%	10%
Nominal AC voltage	3/N/PE;220/380V	3/N/PE;220/380V	3/N/PE;220/380V	3/PE/277/480
	3/N/PE;230/400V	3/N/PE;230/400V	3/N/PE;230/400V	
	3/N/PE;240/415V	3/N/PE;240/415V	3/N/PE;240/415V	
AC voltage range	176 ~ 276V	176 ~ 276V	176 ~ 276V	235 ~ 304V
AC grid frequency	50HZ/60HZ	50HZ/60HZ	50HZ/60HZ	50HZ/60HZ
Max output current	42A	47A	50A	50A
Power factor(adjustable)	0.8leading-0.8lagging	0.8leading-0.8lagging	0.8leading-0.8lagging	0.8leading-0.8lagging
Harmonics(THD)	< 3%	< 3%	< 3%	< 3%
<b>Efficiency</b>				
Max efficiency	98.3%	98.3%	98.3%	98.5%
Euro efficiency	98.0%	98.0%	98.0%	98.2%
MPPT efficiency	99.9%	99.9%	99.9%	99.9%
<b>General data</b>				
Net dimensions (W/H/D)	580/800/200mm	580/800/200mm	580/800/200mm	580/800/200mm
Gross dimensions (W/H/D)	940/720/455mm	940/720/455mm	940/720/455mm	940/720/455mm
Net weight / Gross weight	60/90Kg	60/90Kg	60/90Kg	61/90Kg
Operating temperature range	-25°C~60°C	-25°C~60°C	-25°C~60°C	-25°C~60°C
Degree of protection (according to IEC 60529)	IP65	IP65	IP65	IP65
Climatic category (according to IEC 60721-3-4)	4K4H	4K4H	4K4H	4K4H
Internal consumption: (night)	< 1W	< 1W	< 1W	< 1W
Cooling concept	Fan	Fan	Fan	Fan
PV connection	Common Connector/Intelligent Conjunction (Optional)			
Noise (typical)	< 50 dB	< 50 dB	< 50 dB	< 50 dB
Altitude	< 3000m			
Communication(RS485/WiFi)	Yes/Opt.	Yes/Opt.	Yes/Opt.	Yes/Opt.
Warranty(5 / 10 / 15 years)	Yes/Opt./Opt.	Yes/Opt./Opt.	Yes/Opt./Opt.	Yes/Opt./Opt.