

# Jupiter Series Three-phase String Inverters

## P J-4K / 5K / 6K / 8K / 10K / 11K / 12KTL-DT

- ◇ Exquisite
- ◇ Trustworthy
- ◇ Intelligent
- ◇ Profitable



### FEATURES

- Components from world class suppliers
- Automotive class PCB technology
- Optimized thermal design
- Optimized algorithm
- Integrated enclosure & silicone rubber sealing
- Integrated air valve
- 1000 hours of neutral salt spray testing
- User friendly interface
- Intelligent monitoring system

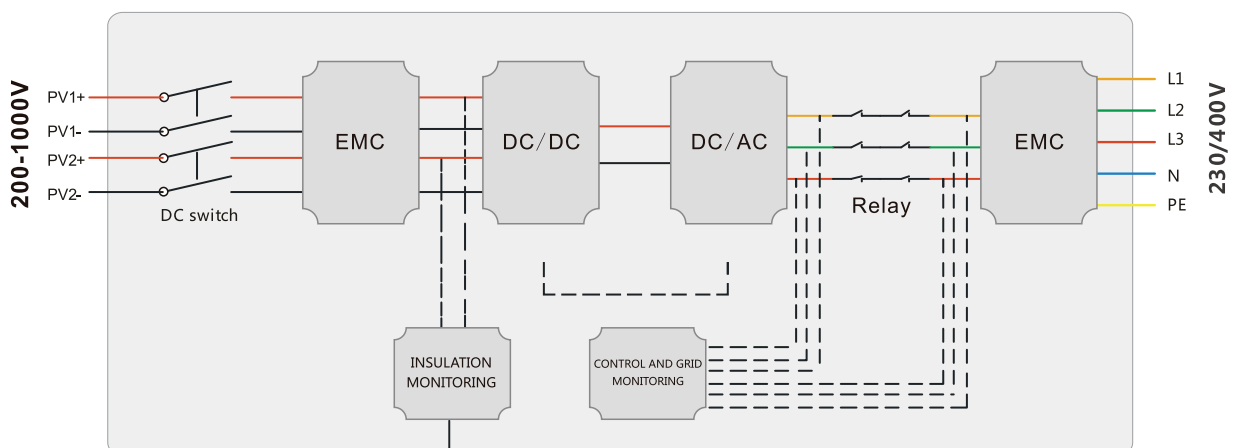
### ADVANTAGES

- Longer MTBF (Mean Time Between Failures)
- Higher quality guaranteed
- Lower heat generation  
Faster heat dissipation
- Accurate real-time tracking in wide voltage/frequency range
- High performance sealing possible  
Less chance of moisture invasion
- Reduction of condensation
- Suitable for harsh environments
- Easy to operate
- Easy to manage and maintain

### BENEFITS

- More electricity output  
Less down time
- Reliable and stable under severe conditions
- Lower internal operation temperature  
Longer component life
- High efficiency and reliability
- Reliable and stable under severe conditions
- Operationable in more applications: fishing ponds, agricultural area, greenhouses, coastal areas
- Easy installation and maintenance possible
- Data analysis  
Less maintenance

### CIRCUIT DIAGRAM



# Jupiter Series Three-phase String Inverters

## PJ-4K / 5K / 6K / 8K / 10K / 11K / 12KTL-DT

### TECHNICAL DATA

MODEL	PJ-4KTL-DT	PJ-5KTL-DT	PJ-6KTL-DT	PJ-8KTL-DT	PJ-10KTL-DT	PJ-11KTL-DT	PJ-12KTL-DT
<b>Input (DC)</b>							
Max. DC Power	4800W	6000W	7200W	9600W	12000W	13200W	14400W
Max. Input Voltage	1000Vdc						
MPP Operation Voltage Range/Nominal Input Voltage	200 - 950 Vdc / 600Vdc						
Startup Voltage	200Vdc						
Max. Input Current per String	11A/11A						
Short-circuit Current	13A/13A						
Number of Independent MPP Inputs	2						
Max. Inverter Backfeed Current to Array	0A						
<b>Output(AC)</b>							
Rated Power	4000W	5000W	6000W	8000W	10000W	11000W	12000W
Max. Apparent AC Power	4400VA	5500VA	6600VA	8800VA	11000VA	12100VA	13200VA
Nominal AC Voltage	220V/230V/240V						
AC Power Frequency	180V/277V						
Max. Output Current	6.4Aac	8.0Aac	9.6 Aac	12.8 Aac	15.9 Aac	17.5 Aac	19.1 Aac
Power Factor Range	0.8 ind...0.8 cap						
Total Harmonic Distortion(THD)	< 3%	< 3%	< 3%	< 3%	< 3%	< 3%	< 3%
Feed-in Phases/Connection Phases	3W/N/PE	3W/N/PE	3W/N/PE	3W/N/PE	3W/N/PE	3W/N/PE	3W/N/PE
Inrush Current(Peak and Duration)	3.3Apeak@7.8ms	4.8Apeak@7.8ms	4.8Apeak@7.8ms	5.2Apeak@7.8ms	5.3Apeak@7.8ms	5.4Apeak@7.8ms	5.5Apeak@7.8ms
Max. Output Fault Current	Integrated						
Max. Output Overcurrent Protection	Integrated						
<b>Efficiency</b>							
Max. Efficiency	>98.0%	>98.0%	>98.0%	>98.1%	>98.1%	>98.1%	>98.2%
European Weighted Efficiency	>97.4%	>97.4%	>97.4%	>97.6%	>97.6%	>97.6%	>97.8%
<b>Protective Devices</b>							
DC Reverse Polarity Protection	Yes						
DC Switch	Optional						
AC Over Current Protection	Yes						
Ground Fault Monitoring	Yes						
Grid Monitoring	Yes						
Residual Current Monitoring Unit	Yes						
<b>General Data</b>							
Dimensions ( W / H / D )	525x 410x190mm						
Weight	20.5 kg	20.5 kg	20.5 kg	20.5 kg	21kg	21kg	21kg
Operating Temperature Range	-25°C ... +60°C						
Noise Emission (typical)	< =35dB(A)						
Max. Operating Altitude	>2000m derating						
Standby Losses	<1W						
Topology	Transformerless						
Cooling Concept	Natural Convection						
Degree of Protection (according to IEC 60529)	IP 65						
Protective class	Class I						
DC overvoltage-category	II						
AC overvoltage-category	III						
Relative Humidity	0-100%, no condensation						
DC Connection Type	MC/Amphenol/Phoenix						
AC Connection Type	Plug-in Connector						
Display	3.5 Inch LCD						
Interface	RS 485 (WiFi/GPRS Optional)						
Warranty	5/10 years(Optional)						
Certificates and approvals	VDE AR-N-4105, VDE 0126-1-1+A1, CE, NB/T32004-2013						

\*The AC voltage and frequency range may vary due to local regulations.

PurpleRubik New Energy Technology Co., Ltd.

Add: R1208, Building A, No.116 Chengyang Rd. Suzhou, China 215000 / Tel: +86 400 928 1628 / Email: customercare@purplerubik.com

