

CP-3150-HA-UD/10~35

MV Turnkey Station for 1500V Utility PV Plant



More power generation

Multiple MPPTs decreasing mismatch loss
High DC input and AC output voltage decreasing cable line loss
High system efficiency with maximum inverter efficiency 99%



Low system cost

IP54 container solution Integrated with MV transformer
Auxiliary power supply and communication integrated
High DC/AC ratio up to 1.5



High reliability

String-level monitoring and diagnosis
Redundancy design for cooling fans and control power supply
Industry oriented design for harsh environment

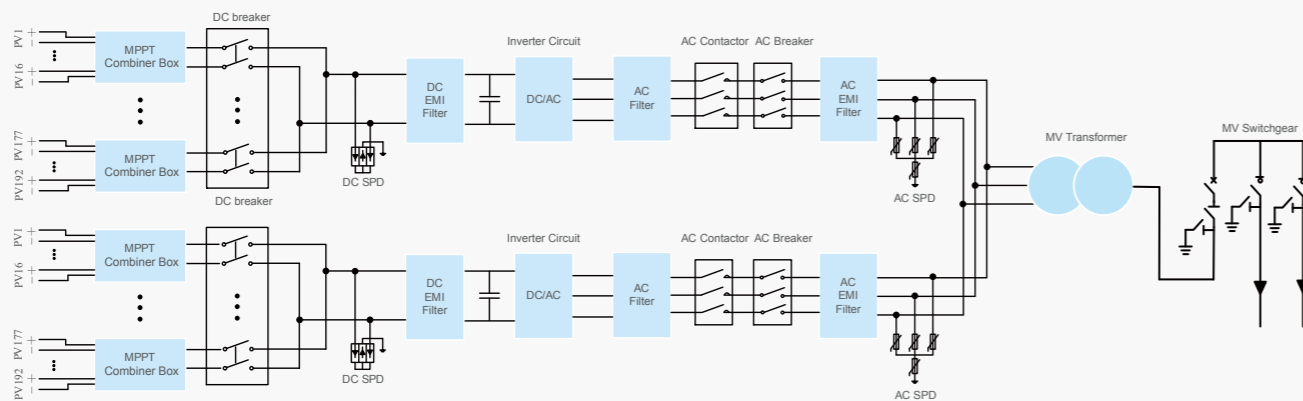


Grid friendly

LVRT and HVRT function
Low harmonics and fast response for grid regulation



Circuit



Input (DC)	CP-3150-HA-UD/10~35
Max. PV input voltage	1500V
Max. input current	3201A
MPP voltage range for nominal power	1150~1300V
Number of MPPT trackers (14~20 MPPT Combiner box)	168~240
Number of DC inputs	14~20
Output (AC)	CP-3150-HA-UD/10~35
Rated output power	3150kW
Max. output power	3622kW
Rated grid voltage	10~35kV
Max. inverter output current	2614A
Rated grid frequency / range	50 Hz/45~55Hz, 60Hz/55~65Hz
Output current harmonic(at nominal power)	<3%
Power factor at nominal power / range	>0.99/0.8 lagging to 0.8 leading
Protection	CP-3150-HA-UD/10~35
DC input protection	Circuit breaker
AC output protection	Circuit breaker
AC MV output protection	Circuit breaker/Load break switch+fuse
Overvoltage protection	DC Type II/AC Type II
Leakage current monitoring	Yes
Ground fault monitoring	Yes
Insulation monitoring	Yes
Overheat protection	Yes
Night SVG function	Optional
Anti-PID function	Optional
Smoke detecting	Yes
Efficiency	CP-3150-HA-UD/10~35
Inverter Max. efficiency	99%
Inverter EU efficiency	98.7%
Transformer	CP-3150-HA-UD/10~35
Transformer Rated power	3150kVA
Transformer Max. power	3622kVA
LV / MV Voltage	0.8/10~35kV
Transformer Vector	Dy11
Transformer cooling type	ONAN (Oil Natural Air Natural)
General data	CP-3150-HA-UD/10~35
Weight	15t
Protection level	Inverter:IP65, Others:IP54
Auxiliary power supply	Standard: 5kVA, Optional: max.40kVA
Temperature	-30~+60 C (>50 C derating)
Allowed humidity(non condensing)	0 - 95 %
Cooling mode	Temperature controlled forced air cooling
Max.operating altitude	2000m(standard) / > 2000m (optional)
Display	LCD
Communication port	RS485/Ethernet