

EP-1250-AI

EP Series 1000V Central Solar Inverter



More power generation

Max. efficiency 99%, Euro efficiency 98.7%
1.15 Pn overload capacity at 45 C
Full power operation without derating at 50 C



Low system cost

Integrated DC power distribution function
Integrated reactive power compensation
High DC/AC ratio up to 1.5



High reliability

Key components online monitoring
Redundancy design for cooling fans and control power supply
Industry oriented design for harsh environment

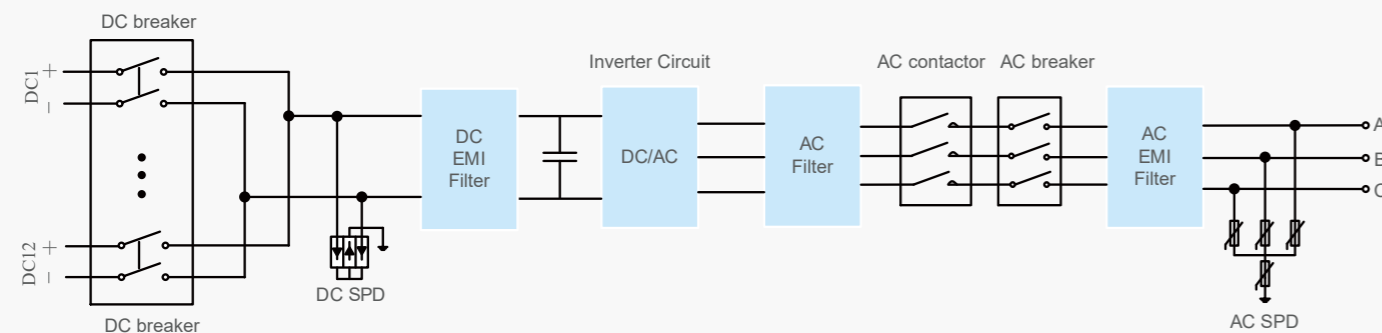


Grid friendly

LVRT and HVRT function
Low harmonics and fast response for grid regulation



Circuit



Input (DC)	EP-2500-AI
Max. PV input voltage	1000V
Max. input current	2422A
MPP voltage range for nominal power	600~850V
Number of MPPT trackers	1
Number of DC inputs	8~12
Output (AC)	EP-2500-AI
Rated output power	1250kW
Max. output power	1437kW
Rated grid voltage	415V
Grid voltage range	340~480V
Max. output current	2000A
Rated grid frequency / range	50 Hz/45~55Hz, 60Hz/55~65Hz
Output current harmonic(at nominal power)	< 3%
Power factor at nominal power / range	>0.99/0.8 lagging to 0.8 leading
Protection	EP-2500-AI
DC input protection	Load break switch+fuse/Circuit breaker
AC output protection	Circuit breaker
Overvoltage protection	DC Type II/AC Type II
Leakege current monitoring	Yes
Ground fault monitoring	Yes
Insulation monitoring	Yes
Overheat protection	Yes
Reactive power compensation	Optional
Anti-PID function	Optional
Efficiency	EP-2500-AI
Max. efficiency	99%
EU efficiency	98.70%
General date	EP-2500-AI
Self-consuming at runtime	<1780W
Self-consuming in standby	<40W
Protection level	IP20
Temperature	- 30 C ~+60 C (>50 C derating)
Allowed humidity(non condensing)	0 - 95%
Cooling mode	Temperature controlled forced air cooling
Max.operating altitude	4000m(>3000m derating)
Display	Touch screen
Communication port	RS485/Ethernet
Certificates and approvals (more available on request)	IEC 62109, IEC 61727, IEC 61683, IEC 62116, IEC 60068, IEC 61000
Dimensions (W×H×D)	2400×2000×750mm
Weight	1570kg