

EP-2500/3125-HA-UD

EP Series 1500V Outdoor Central Solar Inverter



More power generation

Max. efficiency 99%, Euro efficiency 98.7%
Full power operation without derating at 50 °C
1.15 Pn Overload capacity at 25 °C



Low system cost

Outdoor design without container
Convenient for large block size PV plant
High DC/AC ratio up to 1.5



High reliability

Capacitor life prediction technology
Key components at front side, easy for maintenance
Current sensor for each DC input, more reliable for monitoring and control

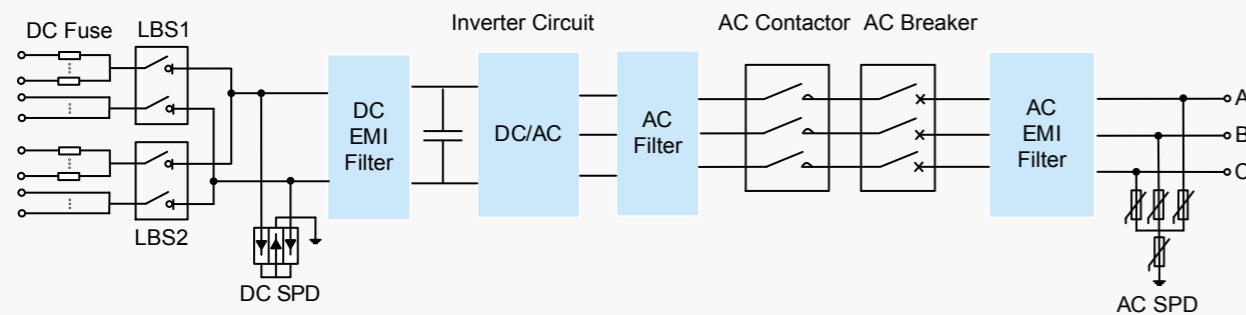


Grid friendly

LVRT and HVRT function
Active & reactive power dispatch



Circuit



Input (DC)	EP-2500-HA-UD	EP-3125-HA-UD
Max.PV input voltage	1500V	1500V
Max. input current	3260A	4075A
MPP voltage range for nominal power	900~1300V	900~1300V
Number of MPPT trackers	1	1
Number of DC inputs	14~20	16~22
Output (AC)		
Rated AC output power (@50 °C)	2500kVA	3125kVA
Max. AC output power (@25 °C)	2875kVA	3594kVA
Rated grid voltage	630V	630V
Grid voltage range	536~693V	536~693V
Rated output current	2292A	2864A
Max. output current	2635A	3294A
Rated grid frequency/range	50Hz±5Hz, 60Hz±5Hz	50Hz±5Hz, 60Hz±5Hz
Output current harmonic (at nominal power)	<3%	<3%
DC current injection	<0.5%In	<0.5%In
Power factor at nominal power/range	>0.99/0.8 lagging to 0.8 leading	>0.99/0.8 lagging to 0.8 leading
Protection		
DC input protection	Load break switch+fuse/Circuit breaker	Load break switch+fuse/Circuit breaker
AC output protection	Circuit breaker	Circuit breaker
Overvoltage protection	DC Type II/AC Type II	DC Type II/AC Type II
Leakage current monitoring	Yes	Yes
Ground fault monitoring	Yes	Yes
Grid monitoring	Yes	Yes
Insulation monitoring	Yes	Yes
Overheat protection	Yes	Yes
Night SVG function	Optional	Optional
Anti-PID function	Optional	Optional
Smoke detecting	Yes	Yes
Efficiency		
Max. efficiency	99.00%	99.00%
EU efficiency	98.70%	98.70%
General data		
Self-consuming at runtime	<3500W	<3500W
Self-consuming in standby/night	<200W/ <100W	<200W/ <100W
Protection level	IP65	IP65
Temperature	-30 °C ~+60 °C (>50 °C derating)	-30 °C ~+60 °C (>50 °C derating)
Cooling mode	Temperature controlled forced air cooling	Temperature controlled forced air cooling
Max.operating altitude	4000m(>3000m derating)	4000m(>3000m derating)
Display	LCD	LCD
Communication port	RS485/Ethernet (Optional)	RS485/Ethernet (Optional)
Certificates and approvals (more available on request)	IEC 62109, IEC 61727, IEC 61683, IEC 62116, IEC 60068, IEC61000	
Dimensions (WxHxD)	2650x2250x1800mm	2650x2250x1800mm
Weight	2500kg	2500kg