

# SP-100K-L

## SP Series String Solar Inverter



### More power generation

Max. efficiency 99%, Euro efficiency 98.70%  
9 MPPTs for tracking maximum PV power  
Supports bifacial PV modules with max. PV current 13A



### Low system cost

Up to 18 PV strings  
Support aluminum cable access, saving cable costs  
Support GPRS communication, save communication cable



### High reliability

Cooling fan with IP68 protection level  
Integrated string monitoring function  
Standard connection terminal for quick installation

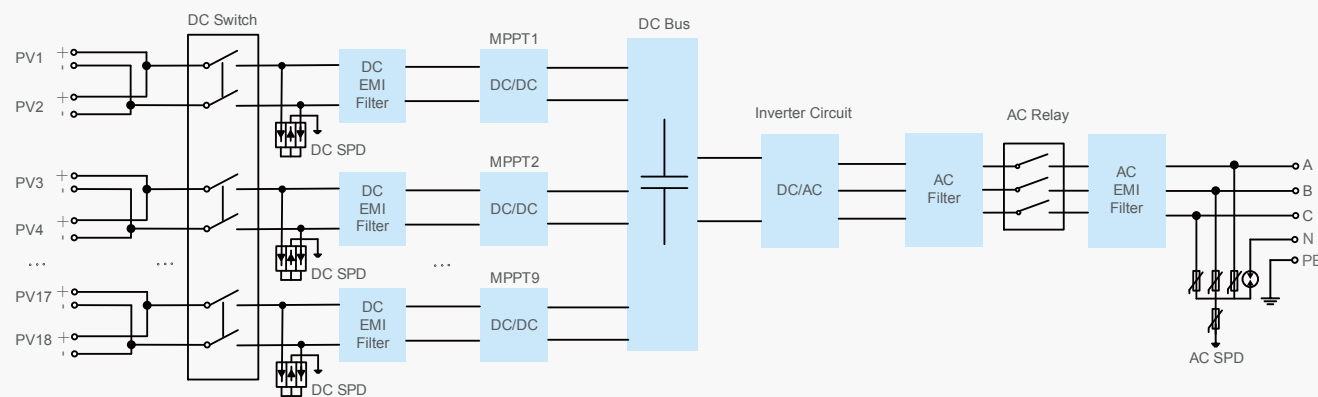


### Grid friendly

Active power derating and reactive power adjustable  
Low harmonics and fast response for grid regulation



## Circuit



### Input (DC)

	SP-100K-L
Max. PV input voltage	1100V
Max. input current	26A*9
Rated input voltage	600V
MPP voltage range	200~1000V
MPP voltage range for nominal power	550~850V
Number of MPPT trackers	9
Max. number of PV strings per MPPT	2

### Output (AC)

Rated output power	100kW
Max. output power	110kW
Rated grid voltage	380V/400V
Grid voltage range	320~480V
Max. output current	161A
Rated grid frequency / range	50Hz/45~55Hz, 60Hz/55~65Hz
Output current harmonic(at nominal power)	<3%
Power factor at nominal power / range	>0.99/0.8leading to 0.8lagging

### Protection

DC reverse connection protection	Yes
Overvoltage protection	DC Type II/AC Type II
Leakage current protection	Yes
Grid monitoring	Yes
Insulation monitoring	Yes
Anti-island protection	Yes

### Efficiency

Max. efficiency	99%
EU efficiency	98.70%

### General Data

Isolation method	Transformerless
Self-consuming in night	<3.5W
Protection level	IP65
Noise	<60dB
Temperature	-30℃~+60℃
Allowed humidity(non condensing)	0-100%
Cooling mode	Temperature controlled forced air cooling
Max.operating altitude	4000m (>3000m derating)
Communication port	Standard:RS485, Optional:GPRS
Dimensions (WxHxD)	1018x630x339mm
Weight	85kg