

SP-175K-H

SP Series String Solar Inverter



More power generation

Max. efficiency 99%, Euro efficiency 98.70%
10 MPPTs for tracking maximum PV power
Supports bifacial PV modules with max. PV current 13A



Low system cost

Up to 20 PV strings
Support aluminum cable access, saving cable costs
Support PLC communication, save communication cable



High reliability

Cooling fan with IP68 protection level
Integrated string monitoring function
Standard connection terminal for quick installation

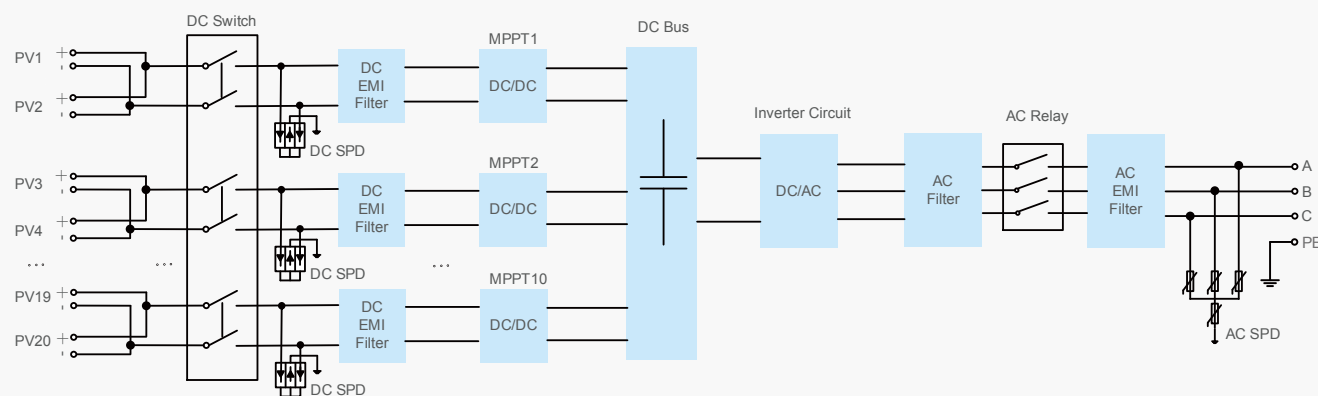


Grid friendly

Active power derating and reactive power adjustable
Low harmonics and fast response for grid regulation



Circuit



Input (DC) SP-175K-H

Max. PV input voltage	1500V
Max. input current	26A*10
Rated input voltage	1080V
MPP voltage range	500~1500V
MPP voltage range for nominal power	880~1300V
Number of MPPT trackers	10
Max. number of PV strings per MPPT	2

Output (AC)

Rated output power	175kW
Max. output power	193kW
Rated grid voltage	800V
Grid voltage range	680~880V
Max. output current	139A
Rated grid frequency / range	50Hz/45~55Hz, 60Hz/55~65Hz
Output current harmonic(at nominal power)	<3%
Power factor at nominal power / range	>0.99/0.8leading to 0.8lagging

Protection

DC reverse connection protection	Yes
Overvoltage protection	DC Type II/AC Type II
Leakage current protection	Yes
Grid monitoring	Yes
Insulation monitoring	Yes
Anti-island protection	Yes

Efficiency

Max. efficiency	99.00%
EU efficiency	98.70%

General Data

Isolation method	Transformerless
Self-consuming in night	<3.5W
Protection level	IP65
Noise	<60dB
Temperature	-30 C ~+60 C
Allowed humidity(non condensing)	0-100%
Cooling mode	Temperature controlled forced air cooling
Max.operating altitude	4000m (>3000m derating)
Communication port	Standard:RS485, Optional:PLC
Dimensions (WxHxD)	1018x630x339mm
Weight	95kg