

# UKGP MPP Series 4~5KVA

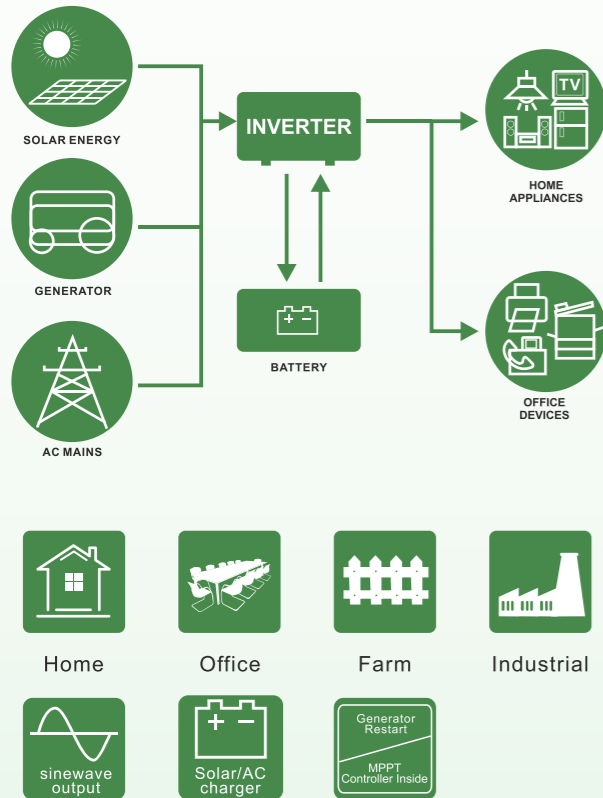


MPP is equipped with MPPT solar charge controller to maximize and regulate DC power from the solar array for charging the battery bank. Transformerless design provides reliable power conversion in compact size. Besides, it's worry-free to start up motor-type loads such as refrigerators, motors, pumps, compressors and laser printers as well as electronic loads like TVs, Computers, power tool and battery chargers.

## Features:

- ◆ Pure sine wave inverter.
- ◆ Built-in MPPT solar charge controller.
- ◆ Selectable input voltage range for home appliances and personal computers.
- ◆ Selectable charging current based on applications.
- ◆ Configurable AC/Solar input priority via LCD setting.
- ◆ Compatible to mains voltage or generator power.
- ◆ Auto restart while AC is recovering.
- ◆ Overload and short circuit protection.
- ◆ Smart battery charger design for optimized battery performance.
- ◆ Cold start function.
- ◆ Parallel operation with up to 6 units only available for 4KVA/5KVA.
- ◆ Optional Remote Control Panel available.

## Application:

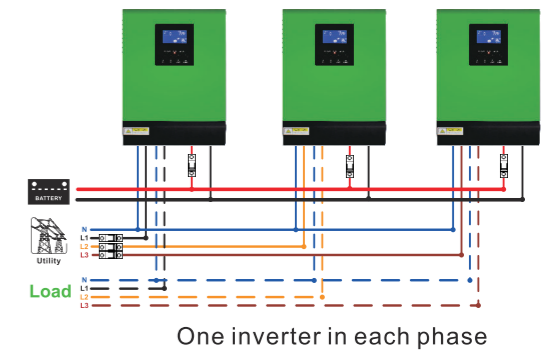
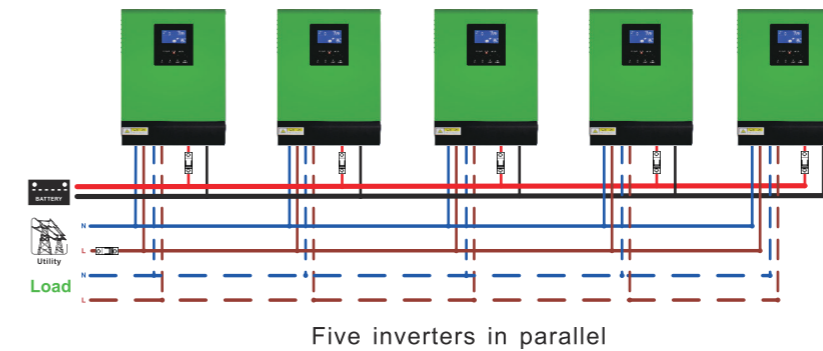


## Specifications

Pure Sine Wave Hybrid charger Inverter

Model	MPP 4000-48	MPP 5000-48	
<b>AC Input</b>	Nominal Power	4000VA/3200W	5000VA/4000W
	Nominal input Voltage	230VAC	
	Low Line Disconnect	170Vac±4%(Normal) or 90Vac±4%(Wide&Gen)	
	Low Line Re-connect	180Vac±4%(Normal) or 100Vac±4%(Wide&Gen)	
	High Line Disconnect	280Vac±4%(Normal) or 280Vac±4%(Wide&Gen)	
	High Line Re-connect	275Vac±4%(Normal) or 275Vac±4%(Wide&Gen)	
	Max AC input Voltage	Max:300VAC	
Frequency	50Hz/60Hz(Auto detection)		
<b>AC Output</b>	AC Voltage Regulation (Batt. Mode)	230VAC ± 5%	
	Output Voltage Waveform	pure sine wave	
	Surge Power	8000VA	10000VA
	Transfer Time	10 ms (For Personal Computers); 20 ms (For Home Appliances)	
	Full load efficiency	93%	
<b>SOLAR CHARGER &amp; AC CHARGER</b>	Maximun PV Array Power	4000W	
	MPPT Range @ Operating Voltage	60VDC ~115VDC	
	Maximum PV Array Open Circuit Voltage	145VDC	
	Maximum Solar Charge Current	80A	
	Maximum AC Charge Current	60A	
	Maximum Charge Current	140A	
	Standby Power Consumption	2W	
	Efficiency	98%	
<b>BATTERY &amp; AC CHARGER</b>	Battery Voltage	48 VDC	
	Floating Charge Voltage	54 VDC	
	Overcharge Protection	60 VDC	
<b>General Specifications</b>	Operating Temperature Range	0°C to 55°C	
	Storage Temperature	-15°C ~60°C	
	Operation Humidity	5% to 95% Relative Humidity(Non-condensing)	
	Dimension(L*W*H)	120 * 295 * 468mm	
	Net Weight(kg)	11kg	

◆ Product specifications are subject to change without further notice.



WWW.UKSOLARPOWER.COM

