

MixSolar Plus Series (9KW/12KW)

Low Frequency On/Off Grid Hybrid Solar Inverter



INTRODUCTION

Prostar MixSolar Plus series is three phase, flexible and intelligent hybrid Bi-directional PV inverter which utilizes solar power, AC utility and battery power source to supply continuous power. It is built-in an isolation transformer, which supplies galvanic isolation not only to protect against electric shock between the ground and energized conductors, but also suppress electrical noise and are used for supplying power in sensitive devices like refrigerator, air conditioner, medical devices and so on. It is a simple and smart solar power storage system for home users to either store energy into battery bank and wait for night-time usage or user for self-consumption first depending on demands and feed excess power back into the grid.

FEATURES

1. Pure sine wave output
2. Built-in isolation transformer
3. Built-in 180A MPPT solar charge controller
4. Multiple operation modes: Grid Tie, Stand-alone and Grid-Tie with back-up
5. Self-consumption and Feed-in to the grid
6. Programmable supply priority for PV, Battery or Grid
7. LCD display panel for comprehensive information
8. Green substitution for generators
9. Set up Zero feed in to the grid
10. Cold start function
11. User-adjustable battery charging current suits different types of batteries
12. Support CAN, RS485 monitoring function with free CD
13. WIFI/GPS for real-time status display and control [optional]



Rated power
9/12KW



Battery Voltage
48VDC



MAX charging current
40A



Support single-Phase
or Three-phase



Multi Protection



Pure Copper
transformer



Battery Optional



Wide AC input
95-272VAC per phase



WIFI COMMUNICATION

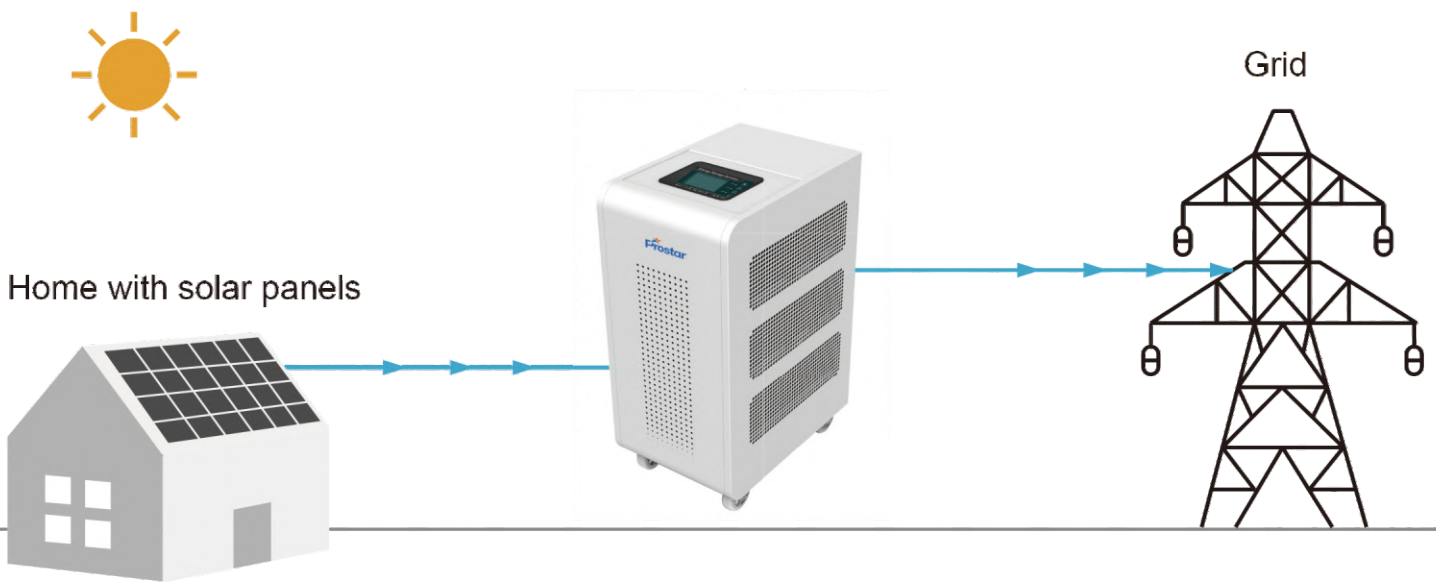
You can download this app on your cellphone and monitor the whole system, you will know how much electricity the system generate and sell to utility.

INVERTER SYSTEM CONNECTION

MixSolar Three-phase On/Offgrid Hybrid solar inverter, This is a flexible and intelligent energy storage inverter which utilizes solar power, utility power, and battery power source to supply continuous power. This is a multi-functional hybrid inverter which can power all kinds of appliances in home or office environment, including motor-type appliances such as tube light, fan, refrigerator and air conditioner. The system generates electricity when it has sufficient sunshine, supplying power to your home and feeding any surplus power back to the Grid.

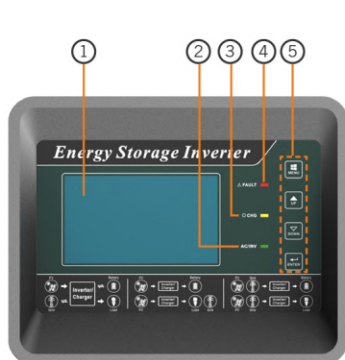
Solar Inverter System Connection:

Power Inverter + Battery + Solar Panels + Grid + Application Loads

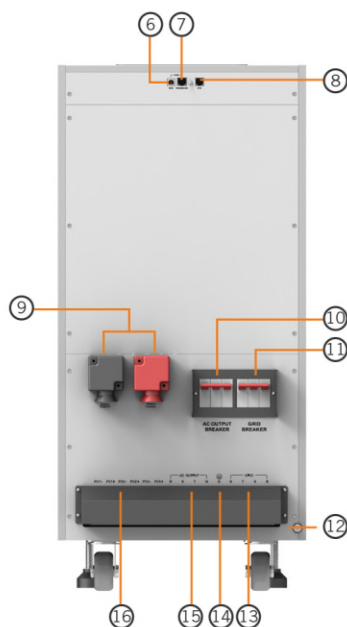


MixSolar Plus Series (9KW/12KW)

Low Frequency On/Off Grid Hybrid Solar Inverter



1. LCD Display
2. Status Indicator
3. Charging Indicator
4. Fault Indicator
5. Function Buttons



6. USB communication port
7. CAN/RS485 communication
8. BTS
9. Battery input
10. AC output breaker
11. Grid breaker
12. Grounding
13. Grid
14. Grounding
15. AC output
16. PV input

MODEL		MIS9K-48 Plus	MIS12K-48 Plus
Nominal Battery System Voltage		48VDC	
INVERTER OUTPUT	Rated output power	9000W	12000W
	Output wave	Pure sine wave	
	Nominal output voltage	230 VAC (P-N) / 400 VAC (P-P)	
	Nominal output current	13.0A per phase	17.4A per phase
	Nominal output frequency	50 Hz / 60 Hz	
	Rate of wave distortion(THD)(Linearity loads)	Off grid≤2%; Grid discharge ≤3%; Grid charge ≤3%	
	Inverting efficiency	>93%	
	Power factor	0.9 lead – 0.9 lag	
	Overload capability	100%<load≤110%,30 minutes; 110%<load≤125%,1 minutes; 125%<load≤150%,30 seconds; load<150%,10 seconds; Short circuit,5 seconds	
AC INPUT	AC input maximum current	26.0A per phase	34.8A per phase
	Nominal frequency	50Hz / 60Hz	
	Acceptable input voltage range	Defaults 186Vac ~253Vac per phase;Narrow 174Vac ~272Vac per phase; Wide 95Vac ~272Vac per phase	
BATTERY	Nominal Voltage	48VDC	
	Low Voltage Protection Point	Charger 34.0VDC⊗Inverter 40.0VDC	
	Absorption Voltage	50.0VDC	
	Refloat Voltage	54.8VDC	
	Float Voltage	57.2VDC	
SOLAR CHARGER & AC CHARGER	PV Open Circuit Voltage	145VDC	
	Max Solar Charging Current	60A per phase	
	Max AC Charging Current	60A per phase	80A per phase
	Max Charging Current	120A per phase	140A per phase
MECHANICAL SPECIFICATIONS	Mounting	Vertical	
	Machine Dimension, W*H*D(mm)	391*836*555	
	Package Dimensions (W*H*D)(mm)	410*850*570	
	Net Weight (kg)	133	140
	Gross Weight (kg)	128	160
OTHER	Communication terminal	RS485/CAN bus	
	Operation Temperature Range	0°C ~+50°C	
	Environmental Protection Rating	IP20	
	Ambient humidity	0 -- 90% relative humidity(non-condensing)	
	Altitude	≤2000m	