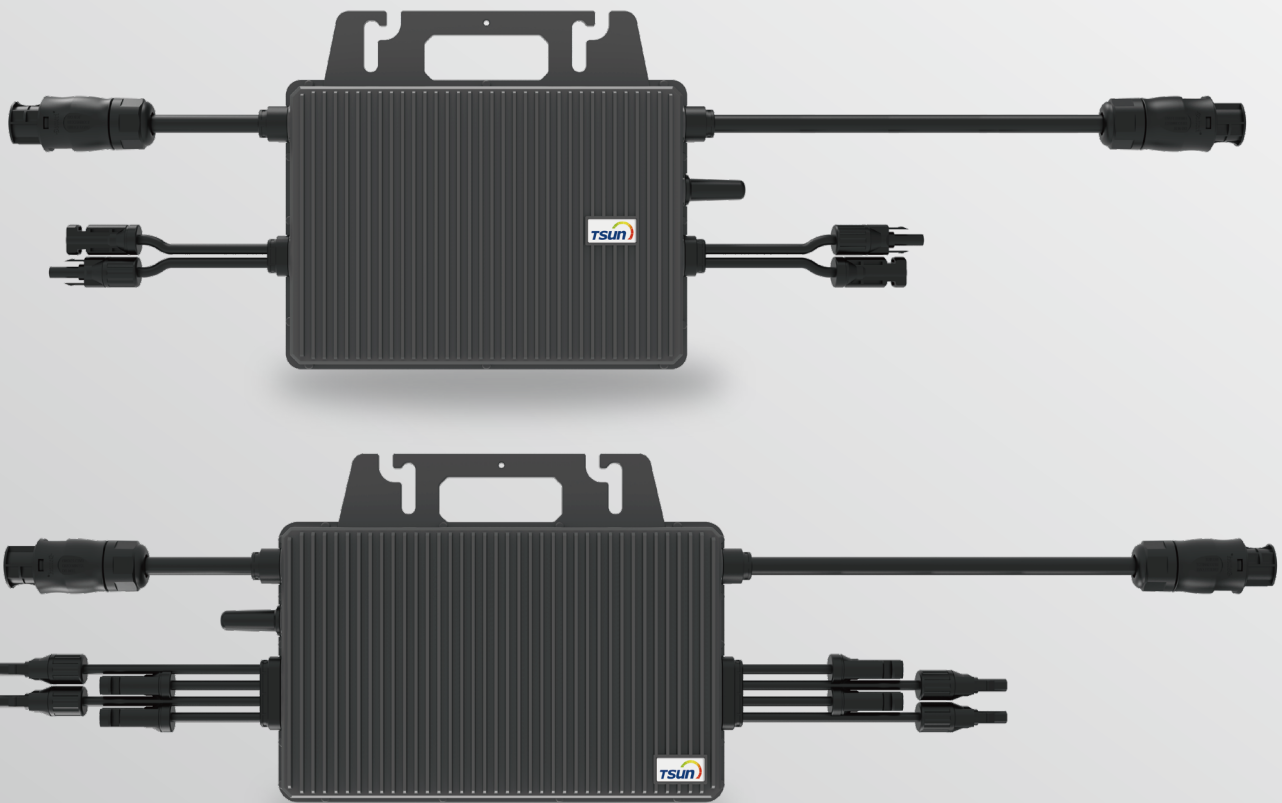


## TSOL-M800/M1600



### Maximized Efficiency

- Individual optimization, separate dedicated MPPT for each panel.
- New topology design, max. efficiency up to 96.7%.

### Flexibility

- Plug & play installation. Easy to install.
- Multi-channel MPPT for complex installation environments with higher cost performance

### Safety

- Max. DC voltage 60V. No threat for high DC voltage.
- Integrated LoM protection function. Ensure the safety of power grid.

### Reliability

- Die casting design and glue filling technology. Better thermal dissipation.
- Standard 12 years warranty, Quality guaranteed.

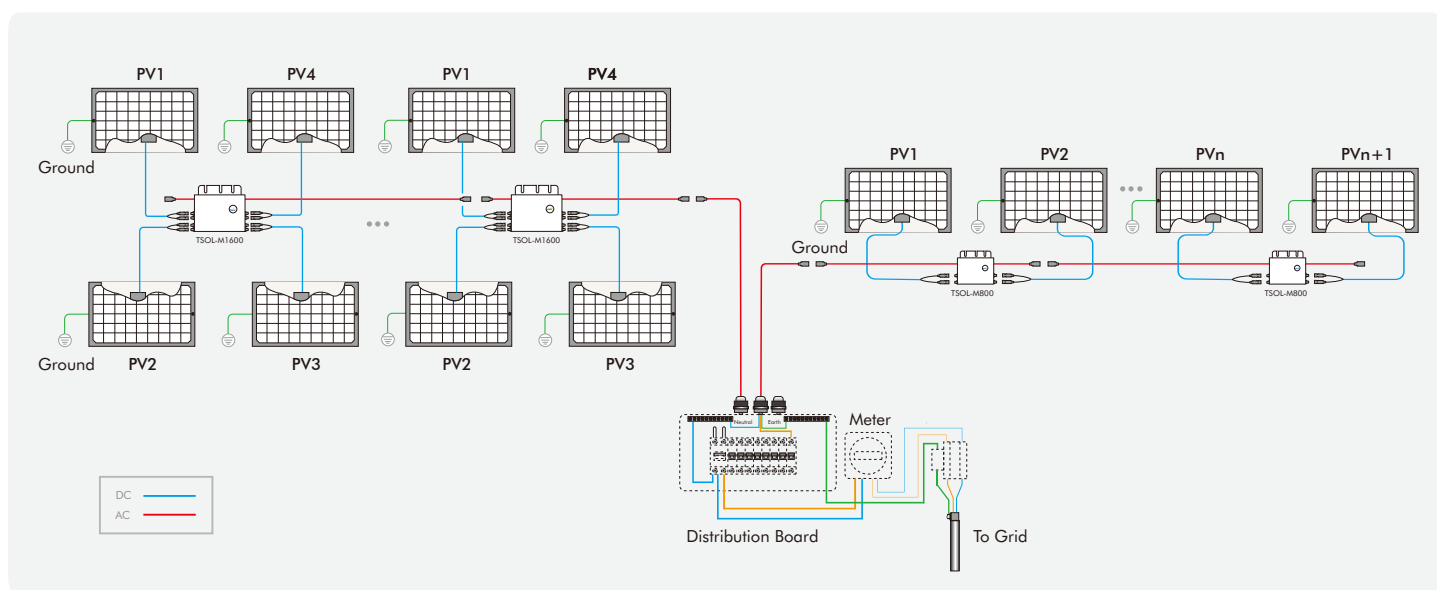
CE VDE 0126 VDE 4105 EN 50549 AS4777 CEI 0-21 INMETRO RD 1699 G 98

# Technical Data

| Model  | TSOL-M800  | TSOL-M1600          |
|--|------------|---------------------|
| <b>Input(DC)</b>                             |            |                     |
| Recommended Input Power [W]                  | 2*280-440  | 4*300-470           |
| MPPT Voltage Range [V]                       | 33-48      | 36-48               |
| Operating Voltage Range [V]                  |            | 16-60               |
| Max. Input Voltage [V]                       |            | 60                  |
| Max. Input Current [A]                       |            | 11.5                |
| Max. Input Short Circuit Current[A]          |            | 15                  |
| <b>Output [AC]</b>                           |            |                     |
| Max. Continuous Output Power [W]             | 700        | 1500                |
| Nominal Output Current [A]                   | 3.04       | 6.52                |
| Max. Output Current [A]                      | 3.19       | 6.82                |
| Nominal Output Voltage [V] *                 |            | 220/230/240, L/N/PE |
| Nominal Frequency [Hz] *                     |            | 50/60               |
| Power Factor                                 |            | >0.99               |
| Output Current Harmonic Distortion           |            | <3%                 |
| Max. Units Per 20A Branch                    | 7          | 3                   |
| <b>Efficiency</b>                            |            |                     |
| Peak Inverter Efficiency                     |            | 96.7%               |
| CEC Weighted Efficiency                      |            | 96.5%               |
| Nominal MPPT Efficiency                      |            | 99.9%               |
| Night Time Power Consumption [mW]            |            | <50                 |
| <b>Mechanical Data</b>                       |            |                     |
| Dimensions (WxHxD) [mm]                      | 250×170×28 | 280x176x33          |
| Weight [kg]                                  | 3          | 3.75                |
| Type of Enclosure                            |            | IP67                |
| Cooling                                      |            | Natural Convection  |
| <b>Environmental Data</b>                    |            |                     |
| Operating Ambient Temperature Range [°C]     |            | -40°C to 65°C       |
| Operating Internal Temperature Range [°C]    |            | -40°C to 85°C       |
| Relative Humidity                            |            | 0-100 % condensing  |
| Max. Operating Altitude Without Derating [M] |            | 2000                |
| Monitor                                      |            | 2.4G RF             |

※ The AC voltage and frequency range may vary depending on specific country grid.

## Diagram



For more information, visit/contact us at [www.tsun-ess.com](http://www.tsun-ess.com)

©2019 TSUNESS. All rights reserved. All specifications are subject to change without prior notice.