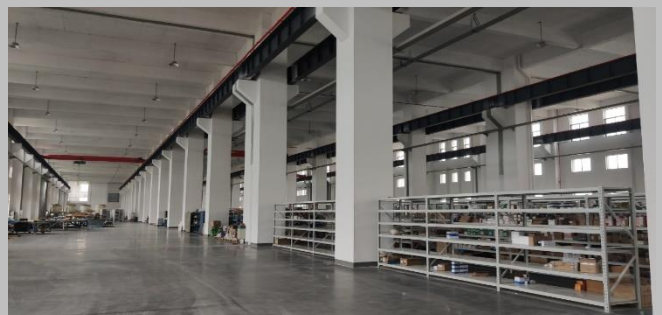


Amsine is a renewable energy company that built by a group of technical experts in 2015, Shenzhen China. We are committed to solar system integration to provide customers with customized solutions, include superior Off&On grid/Solar pumping/Energy Storage/Solar streetlight/Customized renewable solutions and products to every place in the world there is sunshine.

Each Amsine product is manufactured and crafted to the highest quality and most innovative level, while still adhering to the vision that it will benefit and create value for all Amsine customers. That's why Amsine products are highly qualified to provide more than 100 country customers with best cost-effective renewable energy solutions.

Whether you are from places without utility grid or just planning to go green, Amsine provides professional designing and solutions for all situations. For every project, we offer wiring diagram and tech support during the entire process. Amsine believes customer's superior experience with us is vital to our career.

Factory



Content

Single Phase Grid Tied Inverter

3~6

Three Phases Grid Tied Inverter

7~8

Grid Tied Battery Inverter

9~9

Hybrid Storage Inverter

10~14

Micro Grid Tied Inverter

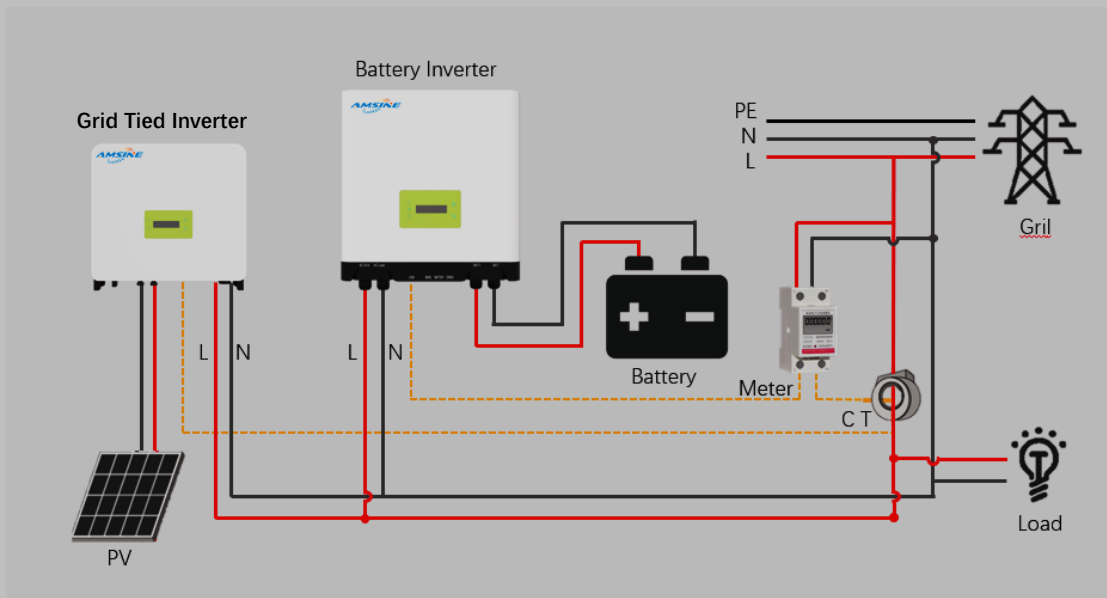
15~15

Easy Micro Solar Kit

16~17

Related Parts

18~18



Single phase Grid Tied Inverter



Single phase
1000W
1500W

- Compact and Robust
- ◆ Light weight, less than 6kgs for 1.5kWw inverter
- ◆ IP65, ensuring waterproof and dustproof
- ◆ CapSense Button design for great water proof performance
- High Conversion Efficiency
- ◆ High conversion efficiency up to 97.2%
- ◆ Enhanced dynamic MPPT algorithm, ensure real-time and accurate
- Easy Operation, Intelligent Monitoring
- ◆ Support GPRS, WIFI and DRMO remote intelligent monitoring system

Model	GTS 1000	GTS 1500	Model	GTS 1000	GTS 1500
Input (DC)			Safety and Protection		
Max. DC Input Power [W]	1250	1750	Array ground insulation resistance monitoring	Yes	
Max. DC Voltage [V]	500	500			
Operating MPPT Voltage Range [V]	60 - 450	60 - 450	Array polarity reverse protection	Yes	
Full Load MPPT Range [V]	100 - 400	100 - 400	Output short circuit protection	Yes	
Norminal Input Voltage [V]	380	380	Anti-island protection	Yes	
Star Up Voltage/Initial Feeding Voltage [V]	70/100	70/100	Surge protection	Yes	
Turn off Voltage [V]	50	50	Protection Class	I	
Max. DC Current [A]	12	12	Overvoltage Category	PV II / Mains III	
Number of MPP Trackers	1	1	General data		
Number of DC Connections/Tracker	1	1	Dimensions (WxHxD) [mm]	299*199*120	299*199*120
Output (AC)			Weight [kg]	5	5.5
Max. AC Output Power [VA]	1000	1500	Environmental Protection Rating	IP65	
Nominal AC Output Power [W]	1000	1500	Cooling Concept	Natural convection	
Nominal AC Voltage [V]*	230	230	DC Switch	Yes	
AC Voltage Range [V]	187 - 270	187 - 270	DC Connector	Amphenol connector	
Nominal Frequency [Hz]*	50 / 60	50 / 60	AC Connector	Plug-in connector	Plug-in connector
Frequency Range [Hz]	47 - 52 / 57 - 62	47 - 52 / 57 - 62	Mounting Information	Wall bracket	
Max. AC Current [A]	5	7.5	Feature		
Power Factor	0.9i - 0.9c	0.9i - 0.9c	Operating Temperature Range [°C]	-25 ~ +60, derating when temperature>45°C	
Total Harmonic Distortion (THD)	< 3%	< 3%	Relative Humidity	0 - 95%, non condensing	
Efficiency			Max. Altitude (above sea level) [m]	<2000	
Max. Efficiency	97.2%	97.2%	Noise Emission [dB]	< 25	
Euro Efficiency	96.7%	96.7%	Topology	Transformerless	
MPPT Efficiency	99.9%	99.9%	Display	LCD, CapSense key	
loss at standby /loss at night	<5W / <0.5W	<5W / <0.5W	Data Communication Interfaces	WiFi/GPRS optional	
*The AC voltage and frequency range may vary depending on specific country grid			Certification: AS 4777.2, C10/11, CE, CEI 0-21, EN 50438, G59/3-4, G83/2-1, DIN EN 62109, IEC 62109, EN50438, RD1699, VDE-AR-N 4105, VDE0126-1-1, IEC 61727, IEC 62116		

Single Phase Grid Tied Inverter



2000W - Single phase - 3000W

- Compact and Robust
- ◆ Light weight, less than 9kg for 3kWw inverter
- ◆ IP65, ensuring waterproof and dustproof
- ◆ CapSense Button design for great water proof performance
- High Conversion Efficiency
- ◆ High conversion efficiency up to 97.5%
- ◆ Enhanced dynamic MPPT algorithm, ensure real-time and accurate
- Easy Operation, Intelligent Monitoring
- ◆ Support GPRS, WIFI and DRM0 remote intelligent monitoring system

Model	GTS 2000	GTS 3000	Model	GTS 2000	GTS 3000
Input (DC)			Safety and Protection		
Max. DC Input Power [W]	2200	3300	Array ground insulation resistance monitoring	Yes	
Max. DC Voltage [V]	550	550	All-pole sensitive residual current monitoring unit	Yes	
Operating MPPT Voltage Range [V]	100 - 500	100 - 500	Array polarity reverse protection	Yes	
Full Load MPPT Range [V]	220 - 440	280 - 440	Output short circuit protection	Yes	
Norminal Input Voltage [V]	380	380	Anti-island protection	Yes	
Star Up Voltage/Initial Feeding Voltage [V]	70/150	70/150	Surge protection	Yes	
Turn off Voltage [V]	60	60	Protection Class	I	
Max. DC Current [A]	12	12	Overvoltage Category	PV II / Mains III	
Number of MPP Trackers	1	1	General data		
Number of DC Connections/Tracker	1	1	Dimensions (WxHxD) [mm]	349*284*126	349*284*126
Output (AC)			Weight [kg]	8.5	9
Max. AC Output Power [VA]	2000	3000	Environmental Protection Rating	IP65	
Nominal AC Output Power [W]	2000	3000	Cooling Concept	Natural convection	
Nominal AC Voltage [V]*	230	230	DC Switch	Yes	
AC Voltage Range [V]	187 - 270	187 - 270	DC Connector	Amphenol connector	
Nominal Frequency [Hz]*	50 / 60	50 / 60	AC Connector	Plug-in connector	Plug-in connector
Frequency Range [Hz]	45 - 55 / 55 - 65	45 - 55 / 55 - 65	Mounting Information	Wall bracket	
Max. AC Current [A]	10	14	Feature		
Power Factor	0.9i - 0.9c	0.9i - 0.9c	Operating Temperature Range [°C]	-25 ~ +60, derating when temperature > 45°C	
Total Harmonic Distortion (THD)	< 3%	< 3%	Relative Humidity	0 - 95%, non condensing	
Efficiency			Max. Altitude (above sea level) [m]	< 2000	
Max. Efficiency	97.3%	97.5%	Noise Emission [dB]	< 25	
Euro Efficiency	96.5%	97.0%	Topology	Transformerless	
MPPT Efficiency	99.9%	99.9%	Display	LCD, CapSense key	
loss at standby /loss at night	<5W / <0.5W	<5W / <0.5W	Data Communication Interfaces	WiFi/GPRS optional	
*The AC voltage and frequency range may vary depending on specific country grid			Certification: AS 4777.2, C10/11, CE, CEI 0-21, EN 50438, G59/3-4, G83/2-1, DIN EN 62109, IEC 62109, EN50438, RD1699, VDE-AR-N 4105, VDE0126-1-1, IEC 61727, IEC 62116		

Single Phase Grid Tied Inverter



Single phase 4000W / 5000W / 6000W

- Compact and Robust
- ◆ Lightweight, compact structure design, easy to install
- ◆ IP65, ensuring waterproof and dustproof
- ◆ CapSense Button design for great water proof performance

- High Conversion Efficiency
- ◆ High conversion efficiency up to 97.5%
- ◆ Enhanced dynamic MPPT algorithm, ensure real-time and accurate

- Easy Operation, Intelligent Monitoring
- ◆ Support GPRS, WIFI and DRM0 remote intelligent monitoring system

Model	GTS 4000	GTS 5000	GTS 6000
Input (DC)			
Max. DC Input Power [W]	4400	5500	6500
Max. DC Voltage [V]	550	550	550
Operating MPPT Voltage Range [V]	100-500	100-500	100-500
Full Load MPPT Range [V]	225-440	280-440	300-440
Norminal Input Voltage [V]	380	380	380
Star Up Voltage/Initial Feeding Voltage [V]	70/150	70/150	70/150
Turn off Voltage [V]	60	60	60
Number of MPP Trackers	2	2	2
Number of DC Connections/Tracker	1	1	1
Max. DC Current per Tracker [A]	12	12	12
Max. Power per Tracker [W]	2500	3000	3500
Output (AC)			
Max. AC Output Power [VA]	4000	5000	6000
Nominal AC Output Power [W]	4000	5000	5750
Nominal AC Voltage [V]*	230	230	230
AC Voltage Range [V]	187 - 270	187 - 270	187 - 270
Nominal Frequency [Hz]*	50 / 60	50 / 60	50 / 60
Frequency Range [Hz]	45 - 55 / 55 - 65	45 - 55 / 55 - 65	45 - 55 / 55 - 65
Max. AC Current [A]	17.5	22	25

Model	GTS 4000	GTS 5000	GTS 6000
Power Factor	0.9i - 0.9c	0.9i - 0.9c	0.9i - 0.9c
Total Harmonic Distortion (THD)	<3%	<3%	<3%
Efficiency			
Max. Efficiency	97.50%	97.50%	97.50%
Euro Efficiency	97%	97%	97%
MPPT Efficiency	99.90%	99.90%	99.90%
loss at standby /loss at night	<5W / <0W	<5W / <0W	<5W / <0W
Safety and Protection			
Array ground insulation resistance monitoring	yes		
All-pole sensitive residual current monitoring unit	Yes		
Array polarity reverse protection	yes		
Output short circuit protection	yes		
Anti-island protection	yes		
Surge protection	yes		
Protection Class	I		
Overvoltage Category	PV II / Mains III		
General data			
Dimensions (WxHxD) [mm]	389*355*150	389*355*150	389*355*150
Weight [kg]	14	14.5	14.8
Environmental Protection Rating	IP65		
Cooling Concept	Natural convection		
DC Switch	Optional		
DC Connector	Amphenol connector		
AC Connector	Plug-in connector		
Mounting Information	Wall bracket		
Feature			
Operating Temperature Range [°C]	-25 ~ +60, derating when temperature>45°C		
Relative Humidity	0 - 95%,non condensing		
Max. Altitude (above sea level) [m]	<2000		
Noise Emission [dB]	< 25		
Topology	Transformerless		
Display	LCD, CapSense key		
Data Communication Interfaces	WiFi/GPRS optional		
Certification	AS 4777.2, C10/11, CE, CEI 0-21, EN 50438, G59/3-4, G83/2-1,DIN EN 62109 / IEC 62109, EN50438, RD1699,, VDE-AR-N 4105,VDE0126-1-1,IEC 61727, IEC 62116		
*The AC voltage and frequency range may vary depending on specific country grid			
*Power can derating to 3680VA			
*Power can derating to 4600VA			

Three Phases Grid Tied Inverter

Three phases 6000W / 8000W / 10000W

- Compact and Robust
- ◆ Integrated string combiner functionality
- ◆ Free site selection due to IP65
- ◆ CapSense Button design for great water proof performance

- High Conversion Efficiency
- ◆ High conversion efficiency up to 98.5%
- ◆ Enhanced dynamic MPPT algorithm, ensure real-time and accurate

- Easy Operation, Intelligent Monitoring
- ◆ Support GPRS, WIFI and DRM0 remote intelligent monitoring system
- ◆ USB flash disc for program update



Model	GTT 6000	GTT 8000	GTT 10000
Input (DC)			
Max. DC Input Power [W]	7200	9600	12000
Max. DC Voltage [V]	1000	1000	1000
Operating MPPT Voltage Range [V]	250-900	250-900	250-900
Full Load MPPT Range [V]	300-800	300-800	300-800
Normal Input Voltage [V]	600	600	600
Star Up Voltage/Initial Feeding Voltage [V]	200/280	200/280	200/280
Turn off Voltage [V]	150	150	150
Number of MPP Trackers	2	2	2
Number of DC Connections/Tracker	A:1; B:1	A:1; B:1	A:1; B:1
Max. DC Current per Tracker [A]	12/12	20/12	20/12
Max. Power per Tracker [W]	A:3500; B3500	A:5500; B3500	A:7500; B3500
Output (AC)			
Max. AC Output Power [VA]	6000	8000	10000
Nominal AC Output Power [W]	6000	8000	10000
Nominal AC Voltage [V]	3 / N / PE; 220 V / 380V	3 / N / PE; 220 V / 380V	3 / N / PE; 220 V / 380V
AC Voltage Range [V]	187 - 270	187 - 270	187 - 270
Nominal Frequency [Hz]	50 / 60	50 / 60	50 / 60
Frequency Range [Hz]	45 - 55 / 55 - 65	45 - 55 / 55 - 65	45 - 55 / 55 - 65
Max. AC Current [A]	9	12.1	15
Power Factor	0.8i - 0.8c	0.8i - 0.8c	0.8i - 0.8c
Total Harmonic Distortion (THD)	<3%	<3%	<3%
Efficiency			
Max. Efficiency	98.40%	98.40%	98.40%
Euro Efficiency	97.70%	97.70%	97.70%
MPPT Efficiency	99.90%	99.90%	99.90%
loss at standby /loss at night	< 5W / < 0W	< 5W / < 0W	< 5W / < 0W

Model	GTT 6000	GTT 8000	GTT 10000
Safety and Protection			
Array ground insulation resistance monitoring	yes		
All-pole sensitive residual current monitoring unit	Yes		
Array polarity reverse protection	yes		
Output short circuit protection	yes		
Anti-island protection	yes		
Surge protection	yes		
Protection Class	I		
Overvoltage Category	PV II / Mains III		
General data			
Dimensions (WxHxD) [mm]	445*490*215	445*490*215	445*490*215
Weight [kg]	20.5	21	22
Environmental Protection Rating	IP65		
Cooling Concept	Natural convection		
DC Switch	Optional		
DC Connector	Amphenol connector		
AC Connector	Plug-in connector		
Mounting Information	Wall bracket		
Feature			
Operating Temperature Range [°C]	-25 ~ +60, derating when temperature>45°C		
Relative Humidity	0 - 95%,non condensing		
Max. Altitude (above sea level) [m]	<2000		
Noise Emission [dB]	< 35		
Topology	Transformerless		
Display	LCD, CapSense key		
Data Communication Interfaces	WiFi/GPRS optional		
Certification	AS 4777.2, C10/11, CE, CEI 0-21, EN 50438, G59/3-4, G83/2-1,DIN EN 62109 / IEC 62109, EN50438, RD1699,, VDE-AR-N 4105,VDE0126-1-1,IEC 61727, IEC 62116		
*The AC voltage and frequency range may vary depending on specific country grid			

Grid Tied Battery Inverter



- **Excellent Output capability**
 - ◆ Capable of being grid-interactive or grid-independent
 - ◆ 10% over power support for 10s
 - ◆ Available for inductive load like air conditioners or refrigerators
- **UPS Function Available**
 - ◆ UPS function with 10 ms automatic switchover
- **Easy Operation, Intelligent Monitoring**
 - ◆ Support GPRS, WIFI and DRM0 remote intelligent monitoring system
 - ◆ USB flash disc for program update

Model	GBI 3648	GBI 5048	Model	GBI 3648	GBI 5048
Battery			Safety and Protection		
BatteryType	Li-ion	Li-ion	Surge Protection	YES	
Nominal Battery Voltage	48V	48V	Output short circuit protection	YES	
battery Voltage Range	42-58V	42-58V	Protection class	I	
Max. Charging Current	75A	100A	Overvoltage Category	DC II / Mains III	
Max. Discharging Current	75A	100A	General data		
On Grid			Dimensions (WxHxD) [mm]	385*455*194	
Max. Output Apparent Power [VA]	3680VA	5000VA	Weight (kg)	20	21
Max. AC Current Output [A]	16	24	Environmental Protection Rating	IP65	
Nominal Output Voltage [V]	230	230	DC/AC Connector	Fastening screw	
AC Voltage Range [V]	187 - 270	187 - 270	Cooling	Natural convection	
Nominal Output Frequency [Hz]	50/60	50	Mounting	Wall bracket	
Frequency Range [Hz]	45 - 55 / 55 - 65		Feature		
Output Power Factor	>0.99 / 0.8 leading... 0.8 lagging		Protection Degree	IP65	
Output THDi (@Nominal Output)	< 3 %	< 3 %	Operating Temperature Range[°C]	-25 ~ +60, derating when temperature>45°C	
charging power factor	>0.99	>0.99	Relative Humidity	0 - 95%,non condensing	
Off Grid			Operating Altitude [m]	<2000	
Max. Output Apparent Power [VA]	3680	5000	Noise [dB]	< 35	
Peak Output Apparent Power [VA]	4500,10s	5500,10s	Topology	High Frequency Isolation	
Max. AC Current Output [A]	16	24	Communication with BMS	CAN/RS485	
Nominal Output Voltage [V]	230	230	Communication with Meter	RS485	
Nominal Output Frequency [Hz]	50	50	Monitoring	WiFi/GPRS	
Output THDv (@Nominal Output, linear load)	<3%	<3%	Firmware Upgrading	USB Disk	
Efficiency			HMI	LED&LCD, CapSen key	
Max. Battery charge efficiency (AC to BAT)	94.7%	94.7%	Certification:		
Max. Battery discharge efficiency (BAT to AC)	94.5%	94.5%	AS 4777.2, C10/11, CE, CEI 0-21, EN 50438, G59/3-4, G83/2-1, IEC 61727, IEC 62116 DIN EN 62109 / IEC 62109, EN50438, RD1699,, VDE-AR-N 4105, VDE0126-1-1,		

Hybrid Storage Inverter



48V 3000W / 4000W / 5000W

- **Excellent Output capability**
 - ◆ Capable of being grid-interactive or grid-independent
 - ◆ 10% over power support for 10s
 - ◆ Hybrid input with PV and battery for safety output
- **UPS Function Available**
 - ◆ UPS function with 10 ms automatic switchover
 - ◆ Enhanced dynamic MPPT algorithm, ensure real-time and accurate
- **Easy Operation, Intelligent Monitoring**
 - ◆ Support GPRS, WIFI and DRM0 remote intelligent monitoring system
 - ◆ USB flash disc for program update

Model	HSI 3048	HSI 4048	HSI 5048
Input (DC)			
Max. DC Input Power [W]	4600W/2300W	5000W/2500W	5600W/2800W
Max. DC Voltage [V]	550	550	550
Operating MPPT Voltage Range [V]	100 - 500	100 - 500	100 - 500
Operating MPPT Voltage Range [V]	230 - 440	230 - 440	230 - 440
Star Up Voltage/Initial Feeding Voltage [V]	70 / 150	70 / 150	70 / 150
Turn off Voltage [V]	60	60	60
Max. DC Current per Tracker [A]	12	12	12
Number of independent MPP inputs/strings per MPP input	2 / 1	2 / 1	2 / 1
Max. Power per Tracker [W]	2000	2500	3000
Output (AC)			
Rated power[W]	3000	4000	5000
Max. AC apparent power[AV]	3000	4000	5000
Nominal AC voltage range[V]	187 - 270	187 - 270	187 - 270
Nominal Frequency [Hz]	50 / 60	50 / 60	50 / 60
Frequency Range [Hz]	45 - 55 / 55 - 65	45 - 55 / 55 - 65	45 - 55 / 55 - 65
Max. AC Current [A]	17.5	22	25
Power Factor	0.9i - 0.9c	0.9i - 0.9c	0.9i - 0.9c
Total Harmonic Distortion (THD)	< 3%	< 3%	< 3%
Efficiency			
Max. Efficiency	97.60%	97.60%	97.60%
Euro Efficiency	97.0%	97.0%	97.0%
Max. Battery Charging / Battery Discharging Efficiency	94.3% / 94%	94.3% / 94%	94.3% / 94%
loss at standby /loss at night	< 5W / < 0W	< 5W / < 0W	< 5W / < 0W
Battery			
BatteryType	Li-ion		
Nominal Battery Voltage[V]	48		

Model	HSI 3048	HSI 4048	HSI 5048
Battery voltage range[V]	38 - 60		
Max. Charge/Discharge Power[W]	3000 / 3000	4000 / 4000	4200 / 5000
Max. Charge/Discharge Current[A]	60 / 60	80 / 80	80 / 100
BMS Communication Port	CAN2.0 / RS485		
Protective devices			
Array ground insulation resistance monitoring	yes		
All-pole sensitive residual current monitoring unit	Yes		
Array polarity reverse protection	yes		
Ground fault monitoring/grid monitoring	yes		
Anti-island protection	yes		
Surge protection	yes		
Protection Class	I		
Overvoltage Category	PV II / Mains III		
General data			
Dimensions(W/H/D)[mm]	445*630*215	445*630*215	445*630*215
Weight of inverter [kgs]	28	29.5	30
Battery/PV/AC connection	Fastening screw		
Mounting	Wall bracket		
Features			
Display	LCD, CapSense key		
Interface: Speedwire/Webconnect	RS485/Digital IO		
Operating temperature range	-25 ~ +60, derating when temperature>45°C		
Noise emission[dB]	<35		
Topology	High frequency isolation		
Cooling method	Natural Convection		
Degree of protection inverter/battery section	IP65		
Max. Altitude (above sea level) [m]	<2000		
Maximum permissible value for relative humidity	0 - 95%,non condensing		
Certificates and approvals	AS 4777.2, C10/11, CE, CEI 0-21, EN 50438, G59/3-4, G83/2-1, DIN EN 62109 / IEC 62109, EN50438, RD1699,, VDE-AR-N 4105, VDE0126-1-1,IEC 61727, IEC 62116		

Hybrid Storage Inverter



Quick installation Energy Storage System

➤ EASIEST INSTALLATION

- Lightweight modular + quickcoupler design
- Universal PCS: 88lbs
- Aluminum battery cabinet: 64lbs
- Plug-in lithium-ion battery: 53lbs each
- Plug-in BCMS: 15lbs

➤ INDEPENDENCE & SELF-SUFFICIENCY

- Authentic offgrid utility grade power: ensuring reliable backup power in continuous service disruptions
- 12.5kVA power to charge your electric vehicle and run your house at the same time during outages longer than 48 hours

➤ BORN INTEGRATION

- Solar charger + battery + PCS + transfer switch + AC shutoff switches
- Simplicity: No external cables between modules
- Ships complete with MPPT charger, split phase 120/240 input and output: options costing over \$3000 on other models
- Installation cost: saving half the labor of competing designs

➤ CUSTOM INTELLIGENCE

- Monthly Savings: Automatically takes full advantage of TOU incentives / DRP participation
- Auto-switch among PCS, grid and generator
- Real-time APP monitor and tailored energy management based on local load and weather conditions rather than indiscriminate ToU strategies only
- OTA system updates and lifelong online service

➤ CARE-FREE MAINTENANCE

- Seamless capacity expansion: communication-free paralleling of multiple devices
- Passive heat dissipation for protection of key parts
- Easily-replaceable weatherproof cooling fans

Hybrid Storage Inverter



7500W

10000W

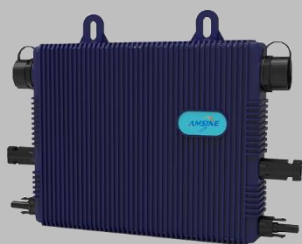
11000W

12500W

Hybrid Storage Inverter Specification					Battery Input / Output	
Efficiency	HSI 7500	HSI 10000	HSI 11000	HSI 12500	Max. Power	12.5kW
MPPT Efficiency	> 99%				Voltage Range	360~ 584Vdc
Max. Charge Efficiency	98.20%				Max. Current	36A
Max. Discharge Efficiency	97.50%				Protection	
Grid Output					DC Switch	DC surge Protection
Rated Power	7.5kw	10kw	11kw	12.5kw	Rapid Shutdown (RSD)	AC Surge Protection
Rated Frequency	60Hz	60Hz	60Hz	60Hz	Anti-islanding Protection	Leakage-Current Protection
Max. Output Current	240V 32A	240V 42A	240V 45.8A	240V 52A	DC Reverse Polarity Protection	Insulation Monitoring
	208V 32A	208V 42A	208V 45.8A	208V 52A	Over Temperature Protection	Ground-Fault Isolation Detection
	277V 27A	277V35.7A	277V 40A	277V 45A	Over Current Protection	
Adjustable Power Factor	0.8 Leading ~ 0.8 Lagging				General	
Grid / Generator Input					Dimensions (W * H * D)	25.6in * 24.4in * 9.5in (650mm * 620mm * 241.5mm)
Rated Power	7.5kw	10kw	11kw	12.5kw	Cooling	Passive cooling through aluminum heatsink , external weatherproof fan to improve performance
Voltage Range	216V ~264V				Weight	88lbs (40kg)
Frequency Range	55 ~ 65Hz				Recommended PV Input Voltage	< 500Vdc
Load Output					Communication Interface	Wi-Fi, Ethernet, 4G, RS485, CAN
Rated Power	7.5KVA	10KVA	11KVA	12.5KVA	Display	LED, iOS / Android App
Rated Voltage	120 / 240Vac Split Phase, 208Vac, 277Vac				Topology	Transformerless
Rated Frequency	60Hz				Operating Temperature Rang	-13°F ~ 140°F (-25°C ~ 60°C) DeratingWhen Temperature>45°C
Overload Capacity	110%@10min, 120%@1min, 130%@10s				Relative Humidity	0 ~ 95% (No Condensation)
PV Input					Protection Rating	NEMA 4X (IP65)
Max. Power of PV	2 * 7.5kWp				Altitude	≤ 9842ft (3000m)
Voltage Range	175 ~ 600Vdc				Noise Emission	< 55dB(A)
MPPT Voltage Range	175 ~ 600Vdc					

Full Load MPPT Voltage Range	250 ~ 550Vdc	Standards Compliance	
MPPT Channels	2	EMC	FCC Part 15 Class B
Max. Current	2 * 26A	Grid Connection Standards	IEEE 1547A, Rule 21, Rule 14
Number of Input	2	Safety	UL9540, UL1741, UL1741SA, UL1998, CSA C22.2
Lithium ion Rechargeable Battery System			
Electrical		General	
Cell Chemistry	Lithium iron phosphate (LiFePO4)	Dimensions (W * H * D)	25.6in * 55.1in * 10.2in (650mm * 1400mm * 260mm)
Rated Energy	21.3kWh	System Weight	507lbs (230kg)
Usable Energy	19.1kWh @ 5kW	Battery Module Weight	53lbs (24kg)
Nominal Voltage	409.6Vdc	BCMS Module Weight	14.5lbs(6.6kg)
Nominal Capacity	52Ah	Enclosure Weight	64lbs(29kg)
Charge Voltage	448Vdc	Communication Interface	CAN, RS232
Operating Voltage Range	384 ~ 467.2Vdc	Display	LED
Continuous Power	7.5kW	Operating Temperature Range	32°F ~ 113°F (0°C ~ 45°C)
30 Minutes Power	12.5kW	Recommended Operating Temperature Range	50°F ~ 95°F (10°C ~ 35°C)
Peak Power	21.3kW @ 1s	Relative Humidity	0 ~ 95% (No Condensation)
Protection		Protection Rating	NEMA 2 (IP21)
Over/Under Temperature	Over/Under Voltage	Altitude	≤ 9842ft (3000m)
Over Current	Short Circuit		

Micro Grid Tied Inverter



➤ Micro 300W / Micro 600W

- ◆ PLC Communication for Easy Installation
- ◆ IP67 for Good Protection
- ◆ Max Efficiency Up to 95.3%

Model	Mic 300	Mic 600	Model	Mic 300	Mic 600
Input			Max.Efficiency	95.50%	95.50%
Max.PV Power	320W	2*320W	CEC Efficiency	95.00%	95.00%
Max.DC Voltage	50V	50V	Protection		
MPPT Voltage Range at Nominal Power	28-45V	28-45V	Anti-islanding protection	YES	YES
Start Voltage	18V	18V	AC short circuit protection	YES	YES
Max.DC Current	9.5A	9.5A/9.5A	Over voltage protection	YES	YES
Max.DC Short Circuit Current	15A	15A/15A	Over current protection	YES	YES
Output			Over heat protection	YES	YES
Max.AC Power	270W	550W	General Data		
Nominal AC Power	260W	520W	Dimensions (W*H*D)	168mm*162mm*34.5mm	218mm*174mm*34.5mm
Nominal Grid Voltage	220/230/240V	220/230/240V	Weight	1.89kg	2.35kg
Nominal Grid Frequency	50/60Hz	50/60Hz	Cooling concept	Natural Convection	Natural Convection
Max.AC Current	1.19A	2.39A	Operation temperature range	-25-60°C	-25-60°C
Nominal AC Current	1.13A	2.26A	Operation relative humidity	0-100%, no condensation	0-100%, no condensation
Power Factor at Nominal Power	>0.99	>0.99	Ingress protection	IP67	IP67
THD at Nominal Power	<3%	<3%	HMI	LED	LED
Feed-in phase	single phase	single phase	Communication interface	PLC	PLC

Easy Micro Solar Kit



Amsine Easy Solar Kit, a combination of solar panel, micro inverter and angle-adjustable bracket, breaks the pattern of traditional solar panel installation, enabling more energy, easier installations, lower costs and higher protection. The integrated Easy Solar Kit allows for compact transportation, distribution and provides alternative installation places like the garden, flat rooftop, campground and etc, permitting installation by yourself by pulling the bracket out.

More Energy

Combine micro inverter and high quality panel, with adjustable opening angle to maximize the electrical generating capacity.

All- In- One

Integrated with micro inverter, AC safety box (optional) and cables. Portable and foldable for various applications.

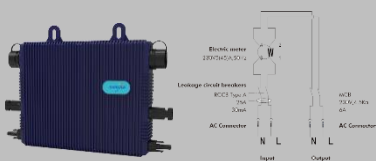
Easier Installation

Plug & play connection, no requirement for professional installation.

Guaranteed Quality

12-year system warranty, 25-year extra linear power output warranty on solar panel.

Safety Box



Safety box is designed to match solar systems with micro inverters, providing leakage protector, circuit breaker and smart power meter for each unit, simple structure, easy installation.

Socket Power Meter



Easily measure the power consumption and cost of your appliances. Simply plug the meter into the wall and insert the micro inverter plug into the meter.

AC Socket



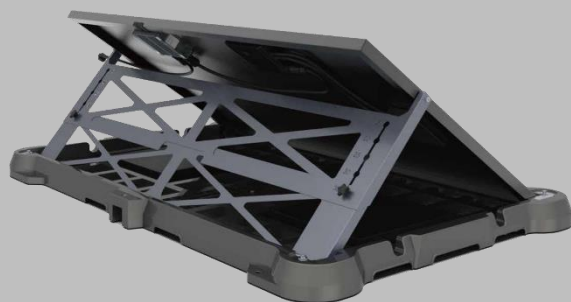
Electrical conductor design inside the AC socket for safety protection.

AC Interconnection Cable



2m. Used for connection between every two Easy Solar Kits, to form a continuous AC branch circuit.

Easy Micro Solar Kit



- ◆ Each Easy Solar Kit is transported as one single package, compliant to the shipping standard to prevent breakage.
- ◆ Different types of AC socket options, compliant to the national standards.
- ◆ AC end cable plus optional AC socket to connect the system directly to grid
- ◆ Micro inverters can be connected via AC interconnection cable
- ◆ Portable and foldable module with angle adjusted according to the scale on the bracket.
- ◆ With each module operating independently from others making up the array, the failure of any modules will not affect the operation of the overall system
- ◆ Safety box is optional and usually installed at the last panel in the string of the system.
- ◆ Baseplate filled with sand, stone or bricks to increase the pressure

Model	AMS- Mic 300	AMS- Mic 350
DC Power Data		
Standard Panel DC Power	275W (optional up to 320W)	300W (optional up to 370W)
Module Efficiency	16.80%	18.94%
Power Tolerance	+3%	+3%
Temp. Coef. (Power)	-0.40%	-0.39%
AC Electrical Data		
Max. Continuous Output Power (W)	270	300
Max. Output Current (A)	1.19	1.36
Nominal Output Voltage (V)	220 / 230 / 240	
Nominal Frequency (Hz)	50/60	
Power Factor	>0.99	
Output Current Harmonic Distortion	<3%	
Certification		
Solar Module	CE,TUV,UL,CEC,JET,IEC 61215,IEC 61730, UL 1703	
Micro Inverter	CE-LVD,CE-EMC,VDE 4105,VDE 0126,EN 50549	
Environmental Data		
Environmental Protection Rating	IP67	
Operating Ambient Temperature Rang	-40 °C to 60 °C	
Relative Humidity	0-100%	
Max. Operating Altitude Without Derating [m]	2000	
Mechanical Data		
Weight [kg]	30	
Dimensions (W×H×D mm)	1850*1185*100	
Packing Configuration	10 pcs/pallet, 24 pallets/40HQ	
Warranty	12 years	
*Note: Easy Solar Kit can be customized.		

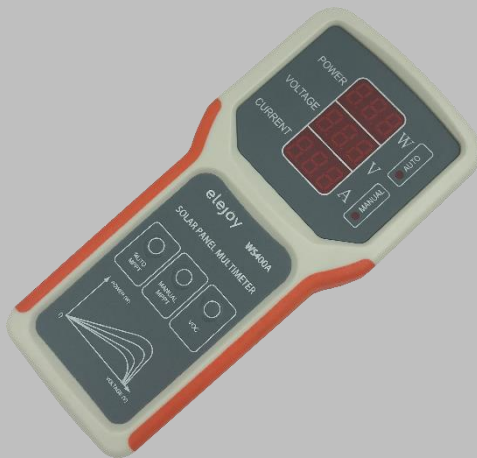
Related Parts



Wifi / GPRS Plug

Part 1. Inverter data collection tool

- Connect through RS232 / RS485 port , easy to operate
- Built-in professional Wifi / GPRS module
- Real-time monitoring of inverter operation status through PC and mobile APP
- Apply to update the inverter firmware through Wifi / GPRS
- Friendly configuration interface , easy to set up



Solar Panel Multimeter

Part 2. Solar Panel Multimeter

- Easy to test the power / voltage / Current of solar panel
- Provides an ideal solution for regular maintenance, performance analysis and Troubleshooting

Part 3. Installation Toolbox



Installation Toolbox

Power Station Sets:

- 2546S Crimping Tool * 1 pc
- LA-2546B Wire Stripper * 1 pc
- WX-206 Cable Cutter * 1 pcs
- MC4 Wrench * 2 pcs
- MC3 Jaws * 1 pair
- Tyco Jaws * 1 pair

Free :

- MC4 Locator * 1 pc
- Phillips screwdriver * 1 pc
- Slotted screwdriver * 1 pc
- PV Test Cable * 1 pc