



shoto | GFMJ Series

Introduction

- The GFMJ (OPzV) series tubular gel battery is the product developed by SHOTO through the international advanced gel technology with outstanding performance and has been widely used in the world.
- With tubular plate, corrosion-resistant alloy materials, special gel electrolyte, micro-pore PVC-SiO₂ separator and advanced heat-sealing technology, GFMJ series battery devotes itself to provide more stable and reliable backup power for communication ,energy storage and electrical systems .

Main Application

- Deep cycling energy storage application
- Solar& wind energy storage system
- Off-grid & unstable grid hybrid sites
- Floating applications for telecom sites

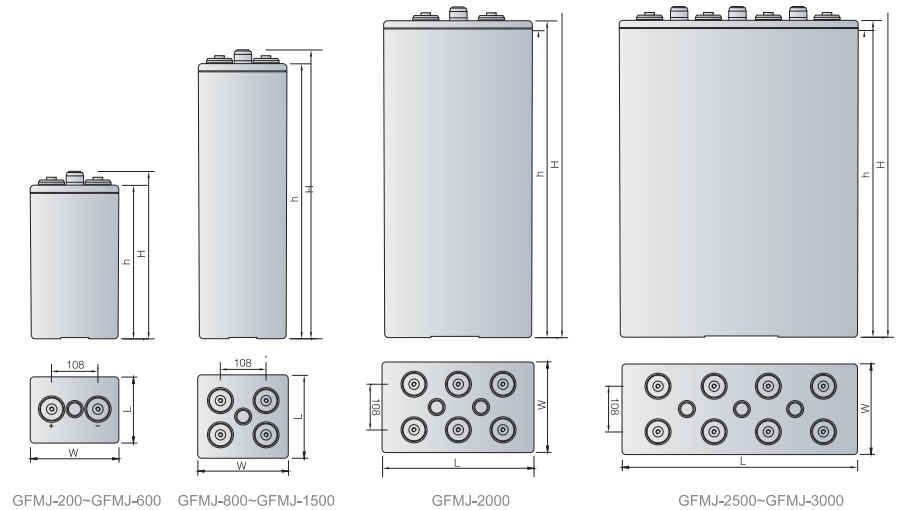
Benefits

- Long life design for cyclic or float application
- Excellent charge acceptability and deep cycling performance
- Excellent over discharge recovery capability
- Superior charging & discharging ability in low current
- Extend service life under high temperature

Technical Features

- According to DIN-40742 and IEC-61427 standards, 20 years design life.
- Tubular plate & special gel electrolyte, which can prevent active material falling and avoid acid stratification
- High stability and security, millions of batteries are in service
- Higher thermal capacity & better thermal diffusivity

Drawings



Specification



GFMJ-200 GFMJ-250 GFMJ-300 GFMJ-350 GFMJ-420

Nominal Voltage(V)	2	2	2	2	2
Length(mm)	103	124	145	124	145
Width(mm)	206	206	206	206	206
Height of monobloc (mm)	354	354	354	470	470
Total height(mm)	386	386	386	502	502
10hr capacity(Ah,25°C)	200	250	300	350	420
Terminal	M10	M10	M10	M10	M10
Terminal Torque(Nm)	20 ~ 25	20 ~ 25	20 ~ 25	20 ~ 25	20 ~ 25
Internal Resistance (mΩ)	0.68	0.62	0.47	0.46	0.42
Short circuit current(A)	2956	3215	4238	4305	4750
Weight(Kg)	18.2	21.5	26.0	27.5	32.5



GFMJ-490 GFMJ-600 GFMJ-800 GFMJ-1000 GFMJ-1200

Nominal Voltage(V)	2	2	2	2	2
Length(mm)	166	145	191	233	275
Width(mm)	206	206	210	210	210
Height of monobloc (mm)	470	645	645	645	645
Total height(mm)	502	677	677	677	677
10hr capacity(Ah,25°C)	490	600	800	1000	1200
Terminal	M10	M10	M10	M10	M10
Terminal Torque(Nm)	20 ~ 25	20 ~ 25	20 ~ 25	20 ~ 25	20 ~ 25
Internal Resistance (mΩ)	0.38	0.35	0.32	0.27	0.24
Short circuit current(A)	5195	5706	6297	7439	8314
Weight(Kg)	37.5	46.5	62.0	77.0	91.0



GFMJ-1500 *GFMJ-1500B GFMJ-2000 GFMJ-2500 GFMJ-3000

Nominal Voltage(V)	2	2	2	2	2
Length(mm)	340	275	399	487	576
Width(mm)	210	210	214	212	212
Height of monobloc (mm)	645	795	772	772	772
Total height(mm)	677	827	804	804	804
10hr capacity(Ah,25°C)	1500	1500	2000	2500	3000
Terminal	M10	M10	M10	M10	M10
Terminal Torque(Nm)	20 ~ 25	20 ~ 25	20 ~ 25	20 ~ 25	20 ~ 25
Internal Resistance (mΩ)	0.23	0.23	0.22	0.22	0.21
Short circuit current(A)	8873	8541	8903	9132	9360
Weight(Kg)	111.0	111.0	154.5	186.5	222.0