

GFMJ Series

GFMJ-800 2V800Ah

GFMJ series gel batteries utilize advanced battery manufacturing technology. It has good cyclic and high-low temperature performance, special electrolyte design and good charge acceptance ability. GFMJ can be used in high-low temperature environment with poor grid condition. It is optimal for pure cyclic solar, wind and energy storage systems.



Benefits

- Very long life according to EUROBAT Classification
- High discharge performance
- High gas recombination efficiency
- Maximum charge efficiency
- GEL state electrolyte prevents leakage and layering
- Low resistance PVC-SiO₂ micro-porous separator ensure Low self-discharge rate
- Easy installation and handling

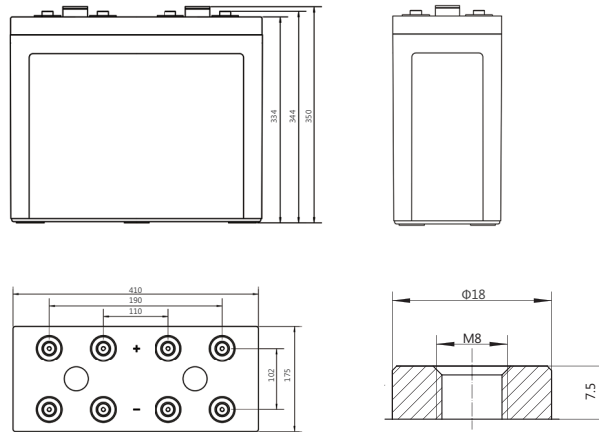
Applications

- Telecommunications
- Power system
- Energy storage
- UPS
- Emergency power

Standards

- IEC 60896-21/22
- IEC61427
- DIN43539-T5
- EUROBAT guide

Drawing



GFM-22

Specifications

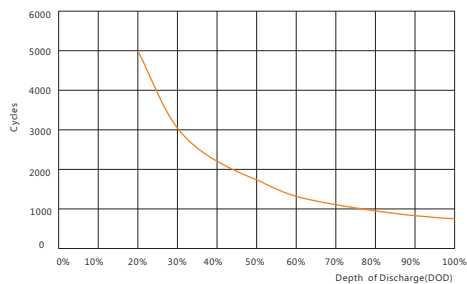
Battery Model	GFMJ-800			
Design Life (years, 25°C)	18			
Capacity (Ah, 25°C)	10HR (80.0A, 1.80V)	5HR (140A, 1.80V)	3HR (205A, 1.80V)	1HR(448A, 1.80V)
	800	700	615	448
Dimensions (mm)	Length	Width	Height	Total Height
	410	175	334	344
Approx. Weight (kg)	60.0			
Reference Internal Resistance (mΩ)	0.28 (fully charged @ 25°C)			
Maximum Discharge Current (A/3 Sec.)	4417			
Self-Discharge (25°C)	< 2% per month			
Charge Voltage (V/cell, 25°C)	Cycle use		Float use	
	2.33 (-3.5mV/°C/cell), max charge current: 160A		2.22 (-3.5mV/°C/cell)	
Short Circuit Current (A)	6900			

Discharge Data

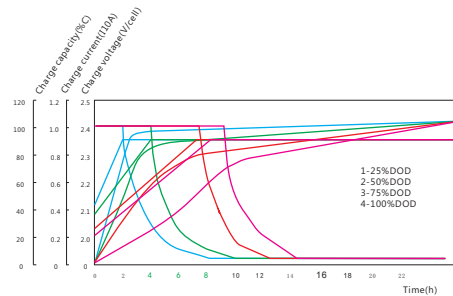
Constant Current Discharge Data (25°C, A)																		
End Voltage (V/cell)	min					h												
	5	10	15	20	30	1	2	3	5	6	8	10	20	24	48	100	120	240
1.65	1360	1240	1152	1040	808	500	300	220	152	136	106.4	90.0	45.2	38.35	19.44	10.0	8.72	4.64
1.70	1280	1180	1040	908	760	492	295	218	148	129	103.2	85.2	44.4	38.00	19.44	10.0	8.72	4.64
1.75	1200	1116	992	876	736	484	289	214	146	127	101.2	83.6	44.0	37.40	19.44	10.0	8.72	4.64
1.80	1120	1060	916	808	680	448	278	205	140	122	97.2	80.0	43.2	36.96	19.44	10.0	8.72	4.64
1.85	960	916	836	756	636	432	261	192	132	114	91.2	75.6	40.8	36.25	19.44	10.0	8.72	4.64

Constant Power Discharge Data (25°C, W/cell)																		
End Voltage (V/cell)	min					h												
	5	10	15	20	30	1	2	3	5	6	8	10	20	24	48	100	120	240
1.65	237.6	2204	2072	1884	1476	928	560	416	288	200	160	132	67.6	63.4	38.9	20.0	17.6	9.36
1.70	2276	2136	1900	1672	1404	920	556	416	284	194	154	128	66.8	63.0	38.9	20.0	17.6	9.36
1.75	2188	2060	1848	1640	1384	916	552	412	280	188	149	123	66.0	62.4	38.9	20.0	17.6	9.36
1.80	2092	1992	1736	1532	1300	856	540	396	272	181	143	120	64.4	61.8	38.9	20.0	17.6	9.36
1.85	1832	1756	1608	1464	1236	844	512	376	260	172	136	113	61.2	60.7	38.9	20.0	17.6	9.36

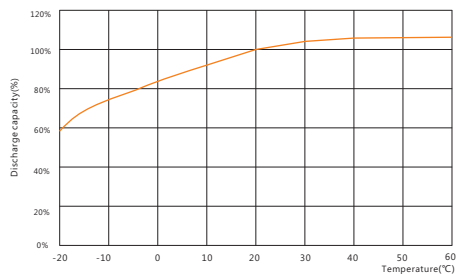
Performance Curve



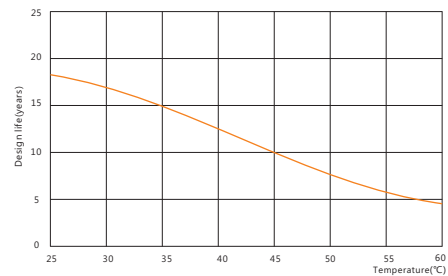
Cycle life vs. discharge depth



Charge vs. discharge depth



Capacity vs. temperature



Design life vs. temperature

Sacred Sun Power Sources Co., Ltd.

No.1 Shengyang Road Qufu City, PRC
sales@sacredsun.cn

Sacred Sun Asia Pacific

No. 15, Yishun Industrial Street 1,
#01-17, WIN5, Singapore 768091
sales.asia@sacredsun.cn

Sacred Sun Europe SPRL

Schoenstraat 96-9140 Temse, Belgium
sales.eu@sacredsun.cn

Sacred Sun MEA FZE

S10122A1019 Jebel Ali, Dubai,
United Arab Emirates
sales.mea@sacredsun.cn