

# SDC Series

## SDC6-290 6V290Ah

SDC VRLA battery uses AGM and GEL hybrid technology, it has good deep cycle and large current discharge performance. As the economy-type solar battery, it can be widely used in renewable energy, electrical vehicle etc.



### Benefits

- Deep cycle for solar application
- Good large current discharge performance
- High gas recombination efficiency
- Maximum charge efficiency
- Low self-discharge rate
- Easy installation and handling

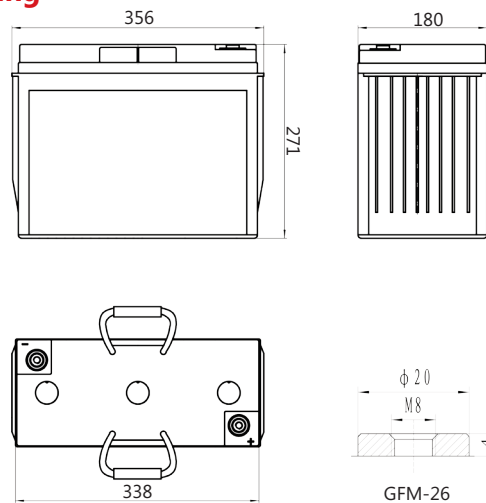
### Applications

- Electrical Vehicle
- Renewable Energy
- Universal

### Standards

- IEC 60896-21/22
- IEC 61427
- EUROBAT guide

### Drawing



### Specifications

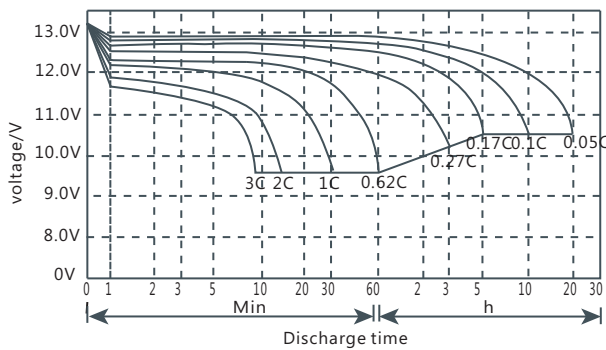
Battery Model	SDC6-290			
Design Life (years, 25°C)	10			
Capacity (Ah, 25°C)	20HR (14.75A, 1.75V)	10HR (29A, 1.75V)	5HR (57A, 1.75V)	3HR(86.67A, 1.75V)
	295	290	285	260
Dimensions (mm)	Length	Width	Height	Total Height
	356	180	270	271
Approx. Weight (kg)	46.0			
Reference Internal Resistance (mΩ)	1.9 ( fully charged @ 25°C)			
Maximum Discharge Current (A/10 Sec.)	2340			
Self-Discharge (25°C)	< 3% per month			
Charge Voltage (V/cell, 25°C)	Cycle use		Float use	
	2.45 (-3.0mV/°C/cell), max charge current: 35A		2.35 (-3.0mV/°C/cell)	
Short Circuit Current (A)	3545			

## Discharge Data

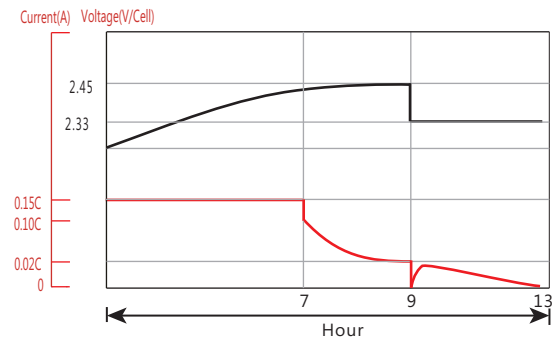
Constant Current Discharge Data (25°C, A)												
End Voltage (V/cell)	min				h							
	10	20	30	45	1	1.5	2	3	5	10	20	
1.60	722.4	441.4	343.9	257.20	206.40	151.10	122.70	88.32	57.86	29.38	14.910	
1.65	709.1	436.1	341.3	255.60	205.30	150.30	121.90	87.77	57.58	29.23	14.850	
1.70	697.6	430.8	337.8	253.60	203.80	149.10	121.10	87.26	57.31	29.10	14.800	
1.75	655.2	413.4	327.6	247.90	200.20	147.30	120.00	86.67	57.00	29.00	14.750	

Constant Power Discharge Data (25°C, W)												
End Voltage (V/cell)	min				h							
	10	20	30	45	1	1.5	2	3	5	10	20	
1.60	1277.0	800.3	636.2	483.2	392.2	290.4	238.50	172.70	113.70	58.07	29.59	
1.65	1268.0	797.3	634.9	482.4	391.7	289.8	237.70	172.20	113.50	57.96	29.56	
1.70	1261.0	794.0	633.1	481.6	390.7	288.7	236.70	171.70	113.30	57.90	29.55	
1.75	1205.0	773.1	620.9	474.8	386.6	287.0	235.70	171.40	113.20	57.86	29.52	

## Performance Curve



Discharge performance



Charge performance

### Sacred Sun Power Sources Co., Ltd.

No.1 Shengyang Road Qufu City, PRC  
sales@sacredsun.cn

### Sacred Sun Asia Pacific

No. 15, Yishun Industrial Street 1,  
#01-17, WIN5, Singapore 768091  
sales.asia@sacredsun.cn

### Sacred Sun Europe SPRL

Schoenstraat 96-9140 Temse, Belgium  
sales.eu@sacredsun.cn

### Sacred Sun MEA FZE

S10122A1019 Jebel Ali, Dubai,  
United Arab Emirates  
sales.mea@sacredsun.cn