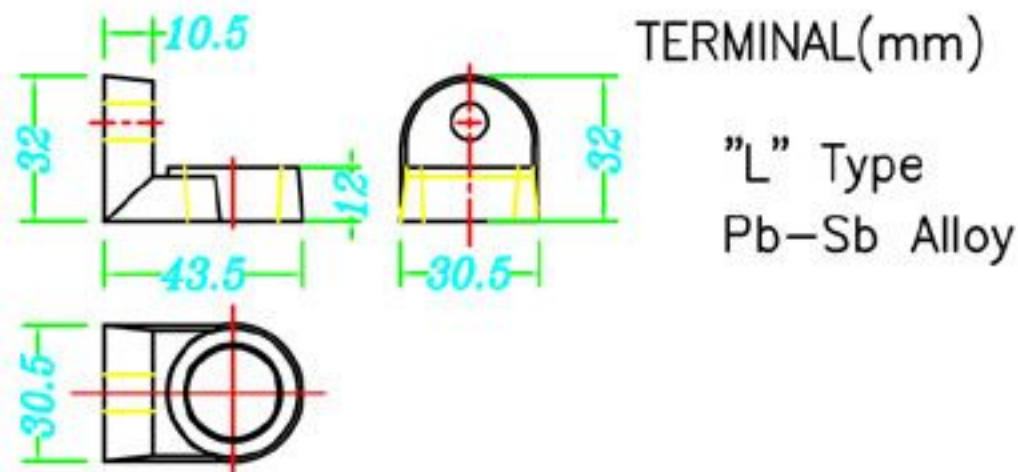


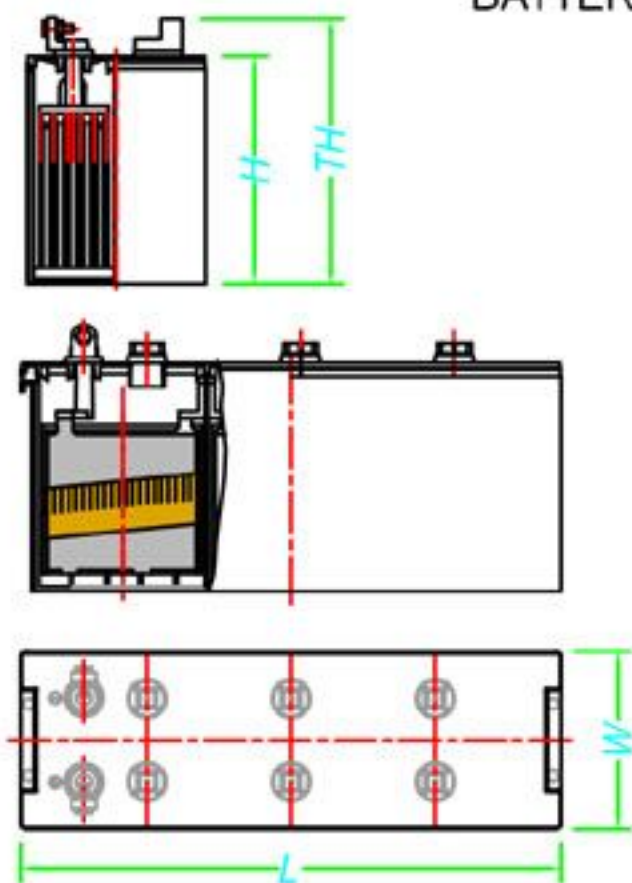
# TUBULAR SOLAR BATTERY VENTED MONOBLOC SERIES

## MPT240 (12V 100Ah/20HR)

Specification at  $25 \pm 2^\circ\text{C}$



BATTERY LAYOUT



### Dimensions(mm)

Length : 513 mm (20.19 inch)

Width : 269 mm (10.59 inch)

Height : 201 mm (7.91 inch)

T. Height : 223 mm (8.78 inch)

Nominal Voltage : 12V

Capacity (5HR) : 85Ah/10.2V

Capacity (20HR) : 100Ah/10.5V

Constant Voltage Chrg : 14.7-15.0V

Current Chrg : 1st. step 20A/2nd. 6A

Cell Weight Filled : 27 kg

Cell Weight Dry : 22.5 kg

Type of POS Plate : Tubular Type

Container Material : PP Resin

Type of Terminal : Bolt & Nut Type

Size of Terminal : M8

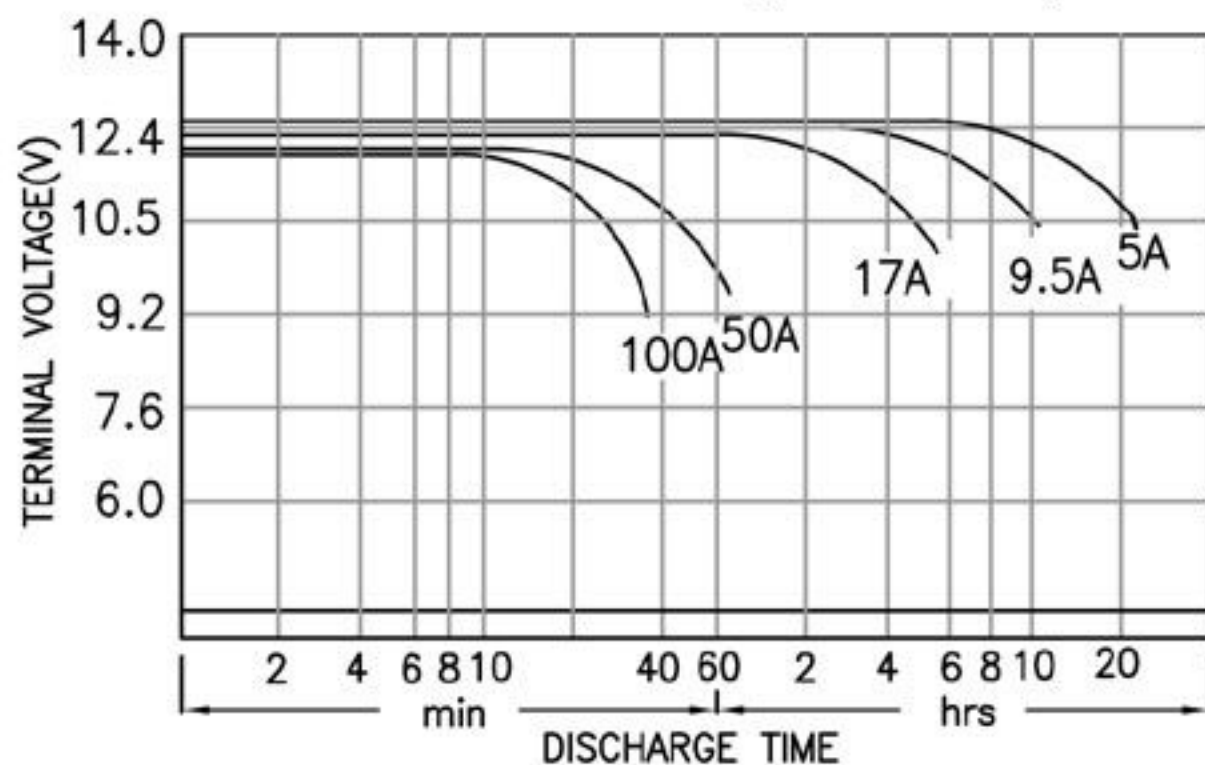
Life Cycle (80%DOD) : 1250 cycles

Storage : < 3 months at  $5-30^\circ\text{C}$

CONSTANT CURRENT DISCHARGE/AMPS. TO 10.5V AT  $30^\circ\text{C}$

Dchg. Time	DURATION OF DISCHARGE									
	30min.	1hr.	2hr.	3hr.	5hr.	8hr.	10hr.	20hr.	50hr.	100hr.
Amps.	95.0	57.8	35.5	26.0	17.0	11.5	9.50	5.00	2.26	1.21

DISCHARGE CURVES ( $30^\circ\text{C}$ .  $86^\circ\text{F}$ )



STATE OF CHR.G., OCV AND ELECTROLYTE

