

GHESS 3.7_4.8KWH

**Next Generation PV and Hybrid Inverter
Most Affordable Solar Battery Storage Solution**



GMDE

① Solar inverter (storage ready)



① SolDate 3700TL PV inverter

The PV inverter converts the DC power generated by PV modules into AC power. The electricity is primarily used by the loads, then charged into the battery packs, only excess power is fed into the utility grid.

② Battery manager



② BM024 battery manager

In combination with the batteries, this battery manager facilitates the storage of solar power and optimizes self-use.

③ Lithium-ion battery



③ 4.8kWh Lithium battery packs

Lithium battery system stores the energy generated by PV and increases self-use from 30% to 70%; 2.4kWh modular design, with 2 modules totaling 4.8kWh in this system.

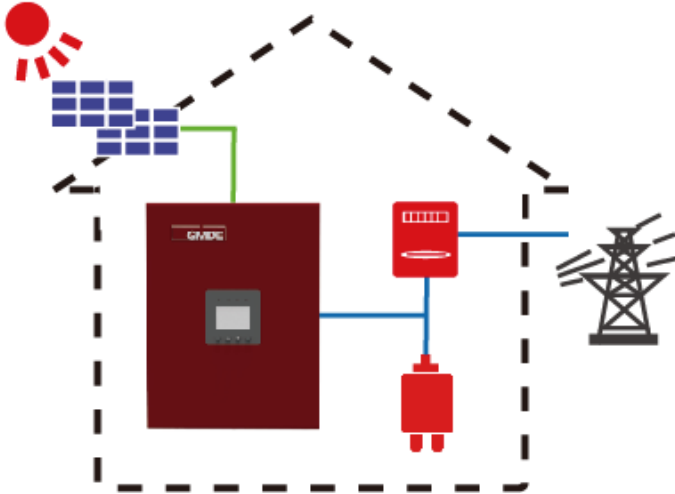
④ Energy Meter

④ ADL 100-E/C energy meter

Adopt the 1-phase bi-directional energy meter for communication, and hybrid inverter controls when to charge/discharge according to the data from the meter.

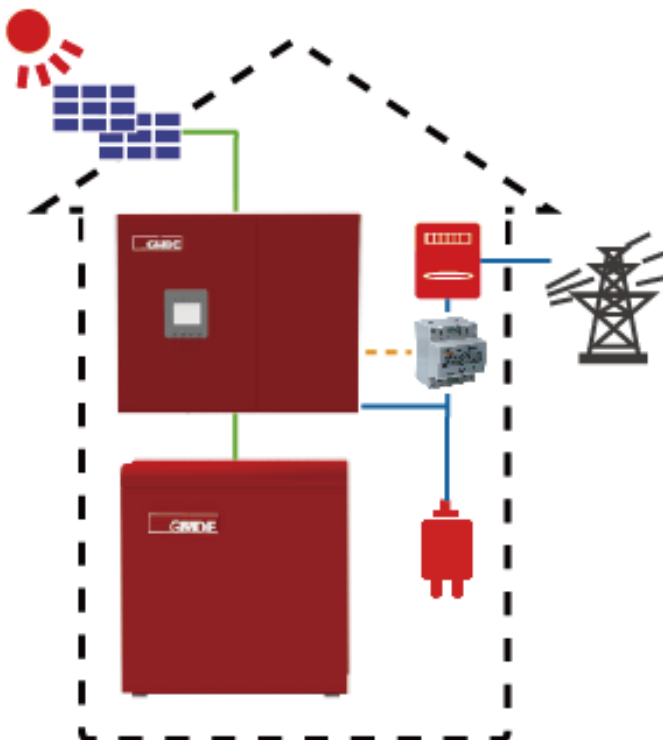
- Competitive price with full functions
- Plug&play, easy installation
- Use your solar energy at any time
- Protect your family from power outages

1. Standard PV System



The standard PV system converts the solar energy into electricity, supplying to the customer load or feeding into the grid. It makes you independent from the electricity suppliers and help you acquire Feed-in tariff from the government.

2. PV Storage System with Backup



Lithium battery system stores the energy generated by PV module. Our GHESS 3.7_4.8KWH battery storage system optimizes self-use up to 70% and shifts the energy use from peak to off-peak/shoulder making the clients more independent on energy use and saving electricity bill. Integrated backup function protects the family from power outages.

| PV Inverter (Storage ready) | | SolDate 3700TL |
|---------------------------------------|--|---|
| DC Input | | |
| Max. input power [W] | | 3700 |
| Max. DC voltage [V] | | 550 |
| MPPT voltage range [V] | | 125-530 |
| MPP tracker | | 2 |
| Max. input current [A] | | 12 |
| AC Output | | |
| Output power [W] | | 3600 |
| Output voltage range (On - grid) [V] | | 180-276 |
| Output voltage range (Off - grid) [V] | | 230Vac±2%, 50Hz±2% |
| AC nominal current [A] | | 16 |
| Power outages | | Auto-switching to backup power after approx.5 sec. |
| Other Parameters | | |
| IP protection class | | IP20 (indoor) |
| Dimension (W * H * D) [mm] | | 380 * 500 * 150 |
| Weight [kg] | | 25 |
| DC switch | | Optional |
| Cooling | | Forced air cooling |
| Battery Manager | | BM024 |
| Rated power [W] | | 2400 |
| Operation voltage range [V] | | 40-58 |
| Max. charging current [A] | | 50 |
| Max. discharging current [A] | | 50 |
| Dimension (W * H * D) [mm] | | 280 * 500 * 150 |
| Weight | | 10 |
| Battery Packs | | |
| Battery capacity | | 2 * 2.4 kWh battery module (extendable) |
| Usable capacity | | 3.84@4.8kWh |
| Packs weight | | 65 |
| Dimension (W * H * D) [mm] | | 600 * 570 * 312 |
| System | | |
| Certification | | G83(UK); VDE-AR-N 4105 (DE); AS4777 (AUS) IEC 62477 |
| Interface | | Energy management unit integrated/LCD display/ RS485 communication |
| Warranty | | 5-year standard, 7-year extendable |
| Operating temperature range | | 0 °C to +45 °C |

All-in-one Solution

- Flexible system - "Connect & Grow": With SolDate 3700TL installed, clients can easily upgrade their PV systems into storage system later;
- Although with storage-ready interfaces integrated, our PV inverter is cost-competitive even comparing with the standard PV inverters on the market;
- SolDate 3700TL PV inverter with an integrated battery and energy management system. Only need to add solar modules to have a complete solution;
- Integrated backup function protects the family from power outages;
- Fully certified with VDE-N4105(DE), G83(UK), AS4777(AUS) etc.

System Composition

- Soldate 3700TL + BM024 (with EMS integrated) = Powervortex 3700TL
- Two 48V 50A LiFePO4 battery modules
- One battery cabinet for two battery modules
- One single phase bi-directional energy meter
- Emergency load function
- Free web portal and App available

Feedback

Leading energy storage inverter supplier in German market

Some feedbacks from market:

- a. Known as a company with innovative team and high quality products, GMDE is one of the 3 companies awarded with the "TÜV Rheinland Star Prize of PV Energy Storage Inverter" at the "Quality China 2015" PV Ceremony;
- b. A German client that has used both A and GMDE inverters, said that after replacing battery inverter from A with GMDE's GEatom 306KTL, system efficiency raises from 58% to over 80%;
- c. Clients who has used inverter from another leading European inverter company B and GMDE Powervortex 306KTL hybrid inverters told GMDE that our inverters have better charging/discharging performance and compatibility;

... ..

About GMDE

Introduction

Global Mainstream Dynamic Energy Technology Ltd. (GMDE) mainly focuses on the development, manufacture and sales of high-efficient, cost-effective and differential energy storage inverters and whole systems. We strive to provide highly reliable and efficient green energy solution worldwide, maximizing the value for our customers.

Contact

3rd Floor, Building 7, Eureka City Industrial
Park, No. 333 Zhujian Rd, Minhang District,
Shanghai, P.R. China
TEL: +86 21 60710559
FAX: +86 21 61730300
E-mail: sales@global-mde.com



Official Website



For more information, please visit: www.global-mde.com