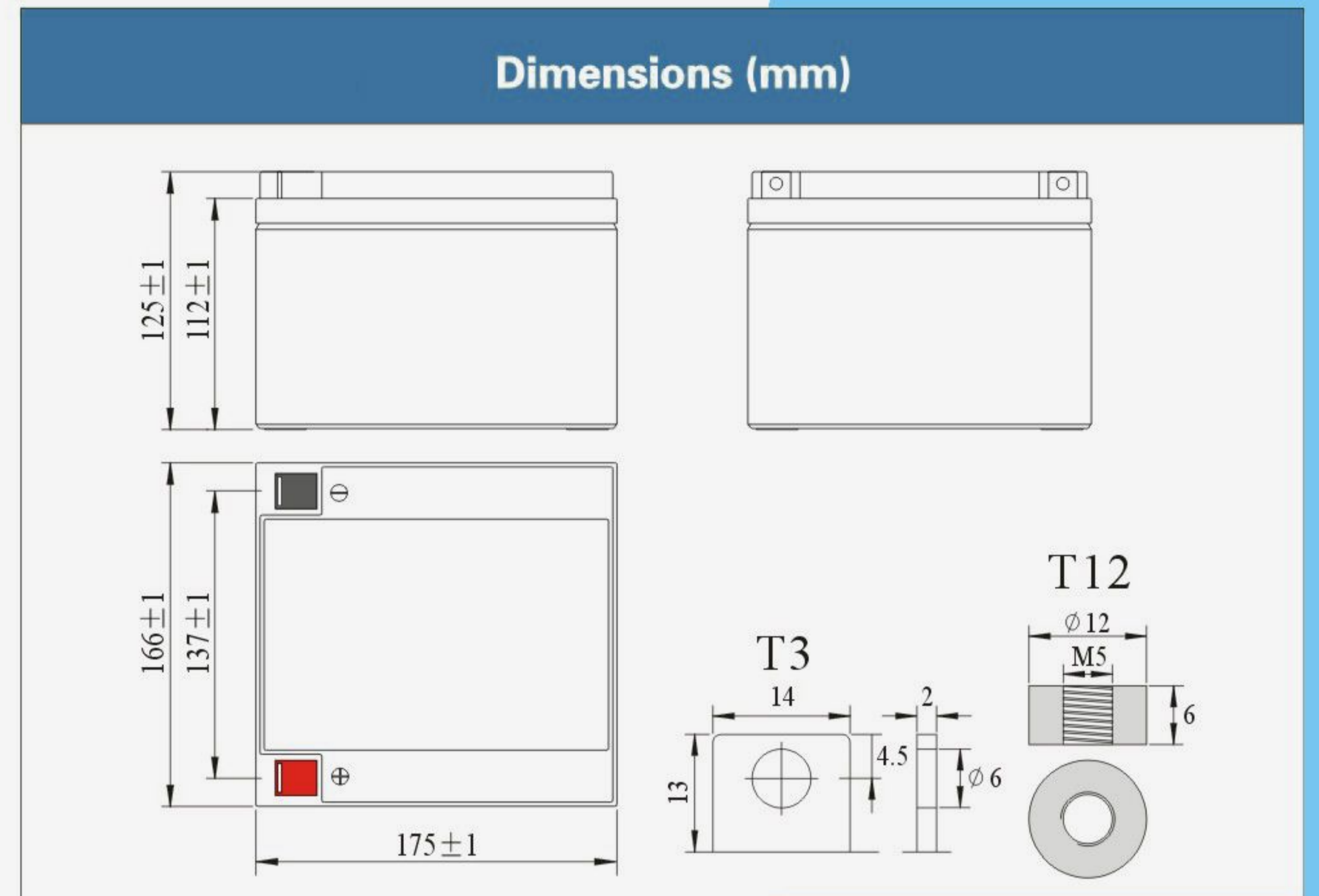
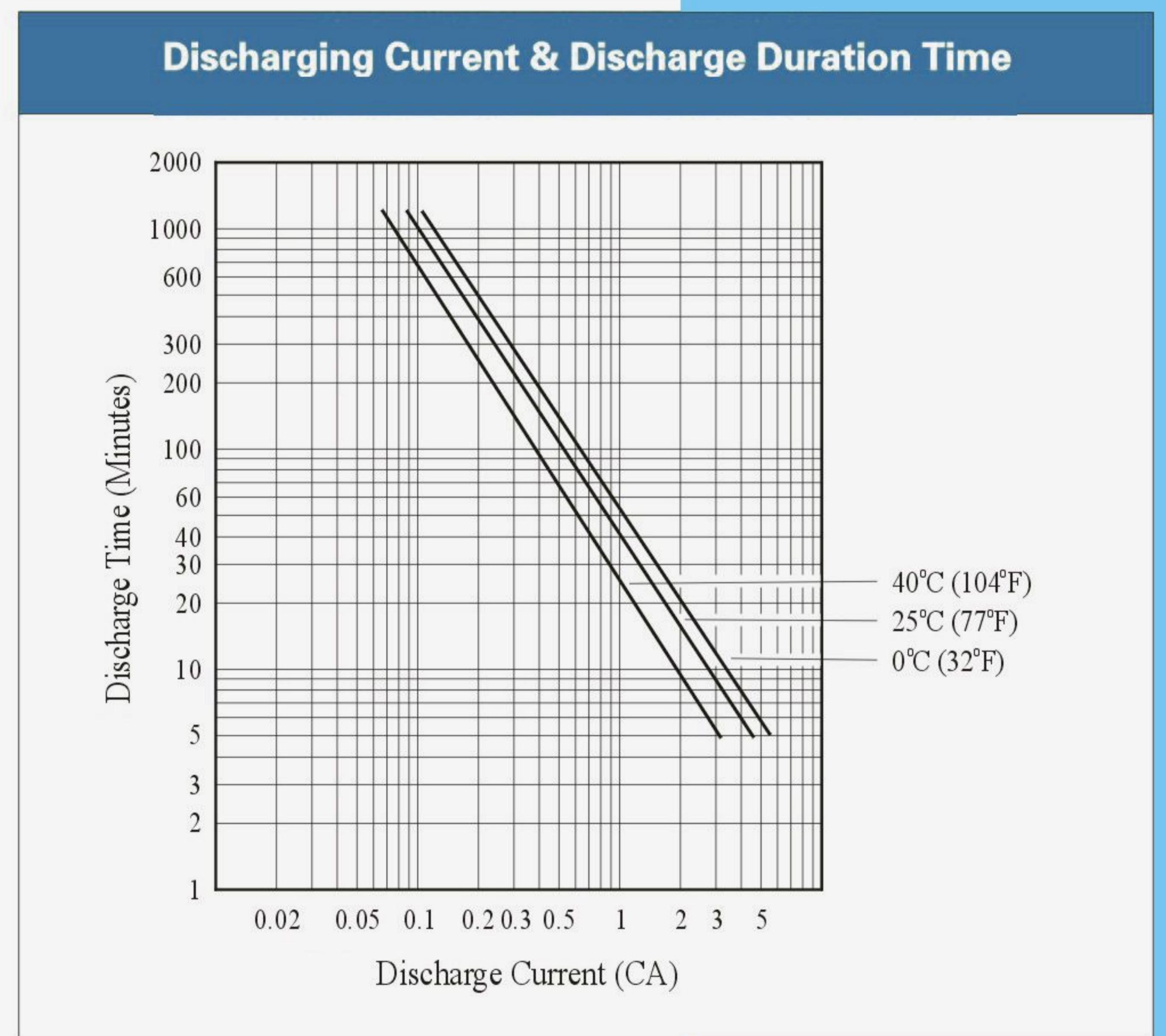


S-Sundries

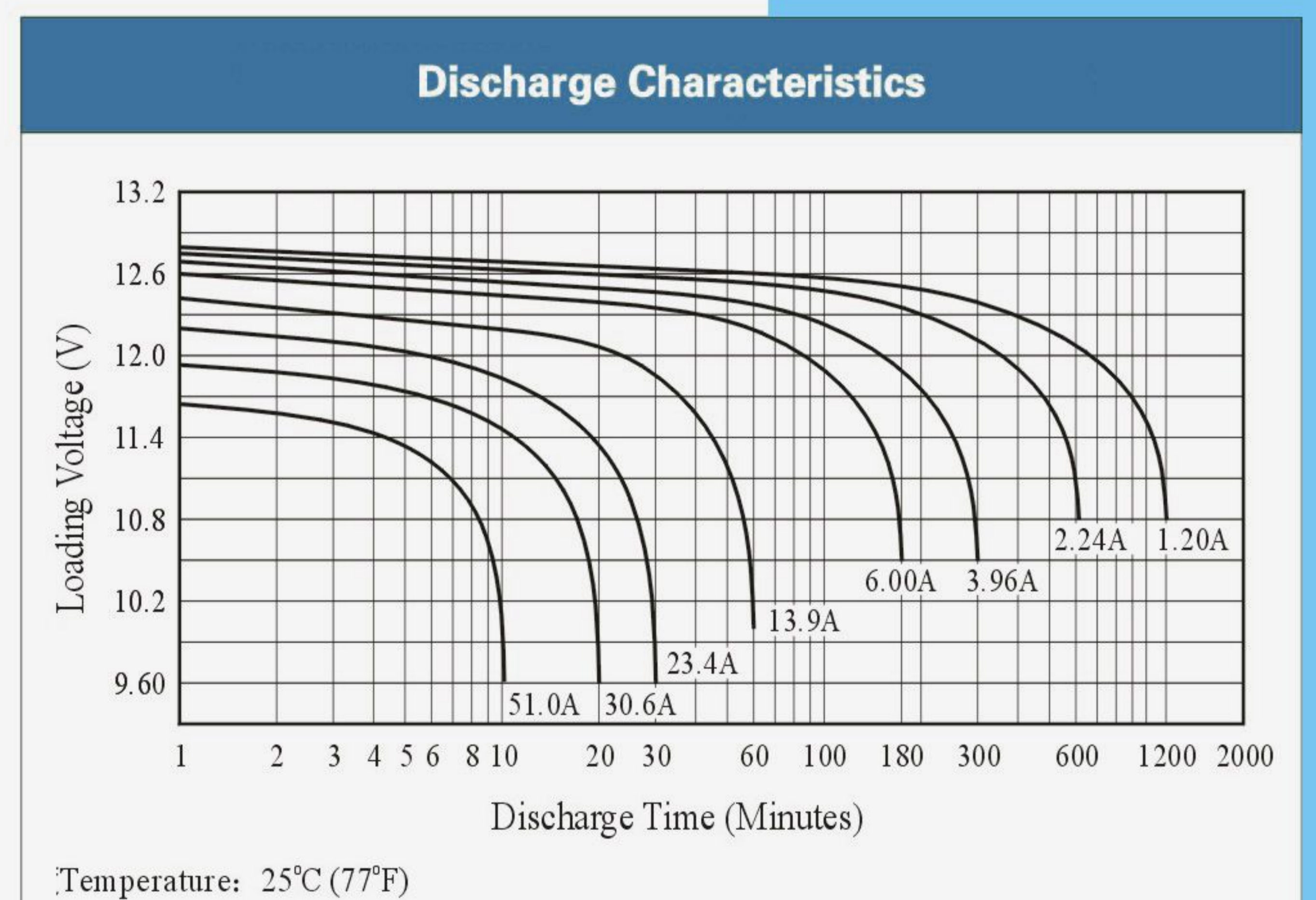
DJW12-24 S(12V24AH)



Battery Specification		
Nominal Voltage		12V
Nominal Capacity (20HR)		24AH
Dimension	Length	166 ± 2mm
	Width	175 ± 1mm
	Container Height	125 ± 1mm
	Total Height	125 ± 1mm
Approx Weight		7.2kg
Standard Terminal		T3/T12



Electrical Specification					
Rated Capacity	20 hr (1.20A)	24.0AH	Constant-Voltage Charge	Cycle Use	Initial Charging Current less than: 7.2A Charging Voltage: 14.4~15.0V at 25°C(77°F) Temperature Coefficient: -30mV/°C
	10 hr (2.24A)	22.4AH			
	5 hr (3.96A)	19.8AH			
	3 hr (6.00A)	18.0AH			
	1 hr (14.0A)	14.0AH			
Capacity affected by Temperature	40°C(104°F)	103%	Float Use	No limit on initial Charging Current. Charging Voltage: 13.5~13.8V at 25°C(77°F) Temperature Coefficient: -20mV/°C	
	25°C(77°F)	100%			
	0 °C(32°F)	86%			



Constant Current (Amp) and Constant Power (Watt) Discharge Table															Temperature: 25°C (77°F)	
Discharge Time(min) Final Voltage / Cell Constant Current Constant Power / Cell	10	15	20	30	45	60	120	180	240	300	360	480	600	1200		
	1.60	1.60	1.60	1.60	1.60	1.67	1.70	1.75	1.75	1.75	1.75	1.80	1.80	1.80		
Current (Amp)	51.0	37.4	30.6	23.4	17.3	13.9	8.17	6.00	4.74	3.96	3.43	2.74	2.24	1.20		
Power (Watt)	86.6	65.5	54.7	42.5	32.0	26.4	15.6	11.6	9.20	7.71	6.71	5.39	4.44	2.38		