



ADVANCED LEAD DEEP CYCLE BATTERY

For Energy Storage Applications

SLR500-2



GS BATTERY (U.S.A.) INC. ENERGY STORAGE SOLUTIONS

The GS Battery SLR500-2 is part of GS Battery's complete line of rechargeable batteries and energy storage systems. These industry leading solutions include batteries in a variety of voltages including 2 volt, 4 volt, and 12 volt models to suit every energy storage application.

In addition, GS Battery's energy storage solutions include a variety of battery chemistries including deep cycle Lead-Acid, advanced Lead-Carbon, robust and reliable Nickel-Cadmium and versatile Lithium-Ion. Energy storage solutions from GS Battery are designed and manufactured according to the most rigorous Japanese quality control standards to deliver extraordinary performance and exceptional long service life.



CYCLE LIFE

The GS Battery SLR500-2 is designed for the high cycle life requirements of energy storage systems. This battery is rated at **5000 cycles at 70% Depth of Discharge (DOD)**.



CHEMISTRY

The GS Battery SLR500-2 is a Valve Regulated Lead Acid (VRLA) battery and features Absorbed Glass Mat (AGM) technology. These long-life, lead-acid batteries provide extraordinary **versatility, reliability and performance at a value price.**



COMPLIANCE

The GS Battery SLR500-2 is a **UL recognized** systems component and is classified as a "Non-Spillable Battery" for transport. (Complies with DOT HMR49, Non-Hazardous Materials.)



MAINTENANCE FREE

The GS Battery SLR500-2 is **virtually maintenance free** and never requires watering. These batteries minimize energy storage system maintenance expenses and increase system value.



SAFETY

The GS Battery SLR500-2 is an **inherently safe energy storage** technology. These batteries are non-spillable, do not generate hazardous gasses with normal use and are constructed from flame retardant ABS (UL94 V-0).



ENVIRONMENTALLY FRIENDLY

The GS Battery SLR500-2 is an environmentally friendly energy storage technology. **96% of lead acid batteries are recycled.** A typical lead-acid battery contains 60-80% recycled lead and plastic.



WARRANTY

The GS Battery SLR500-2 is designed to deliver superior performance and long life in the field and carries a **10-year limited warranty.**



ABOUT GS BATTERY (U.S.A.) INC.

GS BATTERY (U.S.A.) INC. is a global leader in energy storage. Our batteries are manufactured to the highest standards and deliver high quality, long life and superior performance in a wide variety of mission critical applications. GS Battery's products deliver reliable battery power for Telecommunications, Energy Storage, Renewable Energy, Uninterruptible Power Supply (UPS), Emergency Lighting, Power Sports, and Automotive industries.

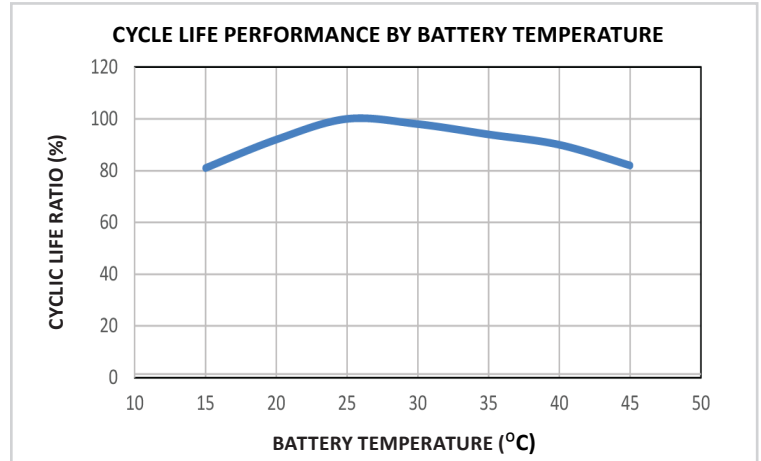
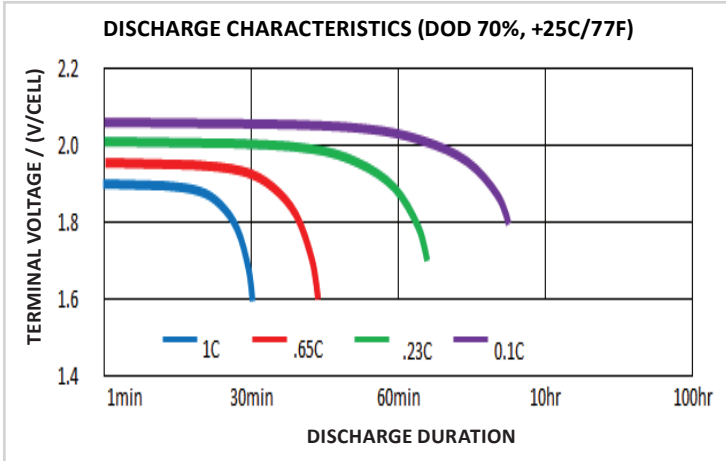
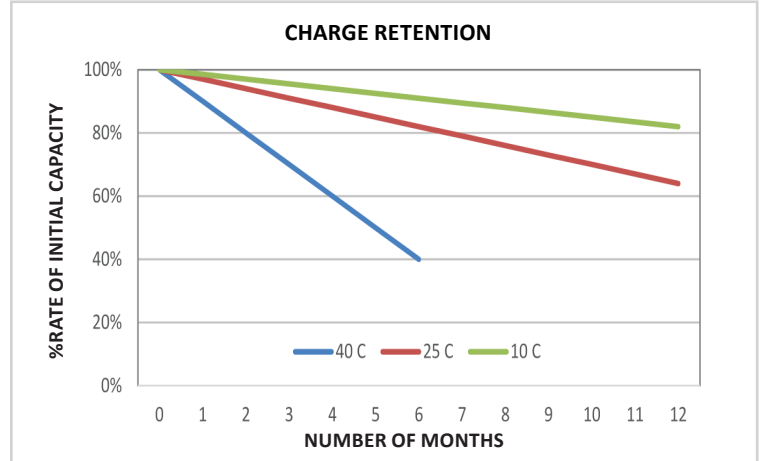
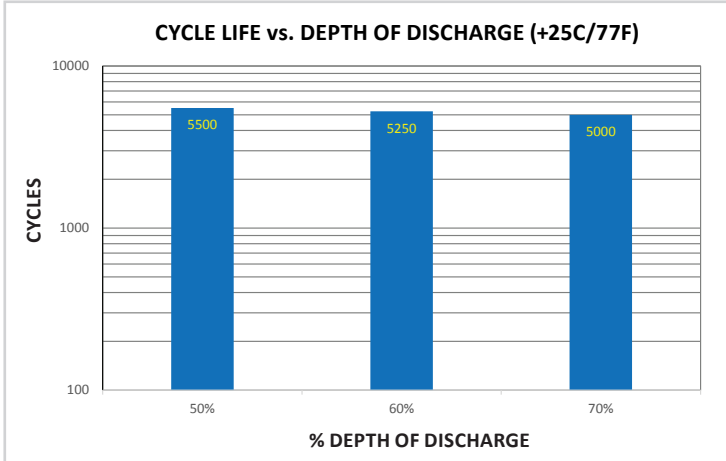


FIND OUT MORE





ADVANCED LEAD DEEP CYCLE BATTERY SLR500-2

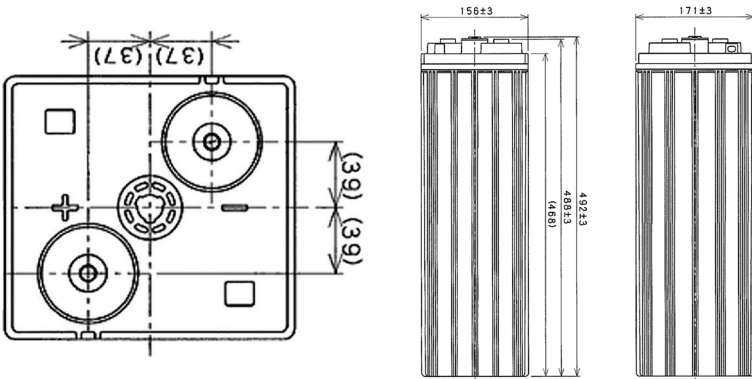


Battery Characteristics

Terminal Type	Battery Type	Battery Capacity (10 HR)	Battery Voltage
Bolt (M10)	Advanced VRLA AGM	500Ah	2 Volts

Physical Characteristics (±3mm)

	Length	Width	Case Height	Overall Height		Weight
Inches	6.1	6.7	19.4	19.4	Pounds	75
	mm	156	171	492		kg



Dealer Information



GS BATTERY (U.S.A.) INC.
1150 Northmeadow Parkway, Suite 110
Roswell, GA 30076
T 800-472-2879

www.gsbattery.com

