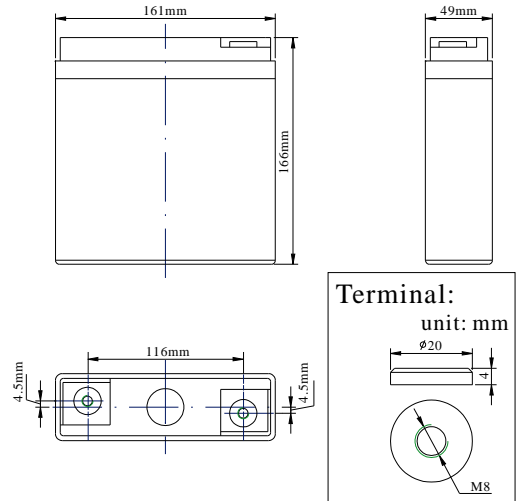


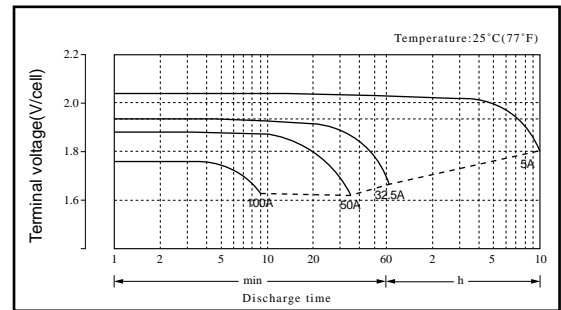
HGXL50-2



Specifications

Nominal Voltage		2V
Rated Capacity(10hour rate)		50AH
Dimension	Total Height (with terminals)	166mm(6.54inches)
	Height	166mm(6.54inches)
	Length	161mm(6.34inches)
	Width	49mm(1.93inches)
Weight		Approx.3.2kg(7.05 lbs)

Discharge characteristics 77°F(25°C)



Float charge method:

Constant voltage: 2.23V/cell(25°C)
Temperature compensation factor: -3mV/cell

Constant power discharge watts per cell @ 77°F(25°C)

End Point Volt/cell	Operation Time To End Point Voltage																	
	1min	5min	10min	15min	20min	25min	30min	35min	40min	45min	1h	2h	3h	5h	8h	10h	12h	24h
1.60	282	224	183	153	131	115	104	93.0	85.0	78.0	66.0	40.5	29.0	18.9	12.9	10.3	8.80	4.60
1.63	266	213	173	147	127	112	100	92.0	84.0	76.0	65.0	40.0	28.7	18.9	12.9	10.3	8.80	4.60
1.65	261	208	170	145	124	109	97.0	90.0	83.0	74.0	65.0	40.0	28.7	18.6	12.9	10.3	8.80	4.60
1.67	249	201	165	140	123	110	96.0	88.0	82.0	74.0	65.0	40.0	28.7	18.6	12.5	10.3	8.80	4.60
1.70	233	193	159	137	119	106	94.0	85.0	80.0	74.0	61.0	39.0	26.5	18.1	12.5	10.2	8.80	4.60
1.75	206	178	152	128	111	101	91.0	82.0	76.0	73.0	60.0	37.0	26.2	17.8	12.2	10.1	8.80	4.60
1.80	180	162	139	118	106	95.0	87.0	80.0	75.0	70.0	57.0	35.0	25.8	17.3	11.9	10.0	8.40	4.60
1.85	130	125	112	99.0	91.0	83.0	77.0	70.0	64.0	61.0	52.0	32.5	24.4	15.7	11.2	9.50	8.40	4.30
1.90	105	100	91.0	84.0	75.0	72.0	65.0	63.0	57.0	54.0	46.0	31.7	23.3	16.1	10.6	9.10	7.70	4.10

Constant current discharge ratings amperes @ 77°F(25°C)

End Point Volt/cell	Operation Time To End Point Voltage																	
	1min	5min	10min	15min	20min	25min	30min	35min	40min	45min	1h	2h	3h	5h	8h	10h	12h	24h
1.60	174	133	105	87.0	75.0	64.0	59.0	51.0	47.0	42.0	35.0	20.9	15.3	10.0	6.50	5.20	4.50	2.30
1.63	164	128	102	84.0	68.0	61.0	55.0	50.0	45.0	41.0	35.0	20.5	15.0	9.80	6.50	5.20	4.50	2.30
1.65	157	122	98.0	80.0	69.0	61.0	53.0	50.0	45.0	41.0	34.0	20.5	14.7	9.70	6.50	5.20	4.50	2.30
1.67	147	117	96.0	76.0	69.0	61.0	52.0	49.0	43.0	41.0	34.0	20.0	14.4	9.60	6.40	5.20	4.50	2.30
1.70	133	111	91.0	75.0	65.0	56.0	51.0	46.0	42.0	40.0	32.0	19.6	14.3	9.50	6.40	5.10	4.50	2.30
1.75	119	101	84.0	71.0	61.0	55.0	49.0	44.0	41.0	37.0	30.7	18.8	13.7	9.10	6.40	5.10	4.50	2.30
1.80	100	90.0	75.0	65.0	56.0	53.0	48.0	42.0	40.0	37.0	30.7	18.1	13.3	9.00	6.10	5.00	4.30	2.30
1.85	70.0	66.0	61.0	53.0	50.0	45.0	40.0	37.0	33.0	32.5	27.3	16.6	12.5	8.20	5.60	4.80	4.20	2.10
1.90	55.0	52.0	49.0	42.0	40.0	38.0	34.0	32.5	29.9	28.1	23.9	15.3	11.3	7.70	5.20	4.50	3.80	2.10

Note The above data are average values, and can be obtained within 3 charge/discharge cycles. These are not minimum values.