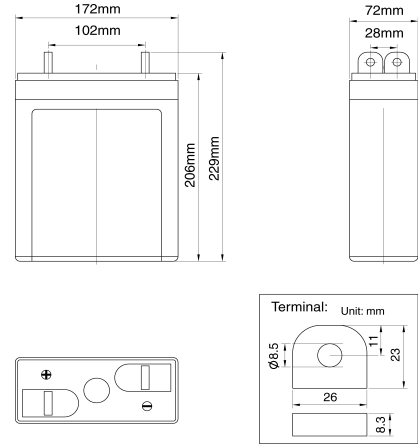


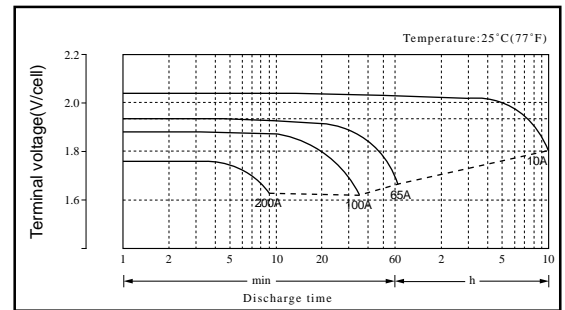
# HGXL100-2



## Specifications

Nominal Voltage		2V
Rated Capacity(10hour rate)		100AH
Dimension	Total Height (with terminals)	229mm(9.02inches)
	Height	206mm(8.11inches)
	Length	172mm(6.77inches)
	Width	72mm(2.83inches)
Weight		Approx.6.6kg(14.55lbs)

## Discharge characteristics 77°F(25°C)



**Float charge method:** Constant voltage: 2.23V/cell(25°C)  
Temperature compensation factor: -3mV/cell

## Constant power discharge watts per cell @ 77°F(25°C)

End Point Volt/cell	Operation Time To End Point Voltage																	
	1min	5min	10min	15min	20min	25min	30min	35min	40min	45min	1h	2h	3h	5h	8h	10h	12h	24h
1.60	564	448	363	303	262	229	207	186	170	157	131	79.0	58.0	38.2	25.6	20.7	17.5	9.10
1.63	535	426	344	294	252	222	199	183	167	154	128	78.0	56.8	38.0	25.6	20.7	17.5	9.10
1.65	519	415	340	288	249	219	196	179	166	151	128	78.0	56.8	37.2	25.6	20.6	17.5	9.10
1.67	495	401	333	281	245	218	193	176	163	150	128	78.0	56.8	37.2	25.0	20.4	17.5	9.10
1.70	406	387	316	274	237	211	188	172	160	147	123	76.0	53.8	36.4	25.0	20.2	17.5	9.10
1.75	383	357	302	257	225	203	182	168	155	145	120	73.0	53.0	35.6	24.4	20.0	17.5	9.10
1.80	360	324	277	237	212	191	175	160	149	140	115	70.0	52.2	34.7	23.9	19.8	16.9	9.10
1.85	263	249	223	201	182	167	153	141	129	122	104	65.0	48.8	32.0	22.4	18.8	16.3	8.60
1.90	208	199	182	167	151	142	131	124	115	109	93.0	60.8	45.2	31.0	21.0	17.8	15.2	8.10

## Constant current discharge ratings amperes @ 77°F(25°C)

End Point Volt/cell	Operation Time To End Point Voltage																	
	1min	5min	10min	15min	20min	25min	30min	35min	40min	45min	1h	2h	3h	5h	8h	10h	12h	24h
1.60	350	269	212	173	148	127	115	102	93.0	85.0	70.0	41.7	30.4	20.0	13.0	10.5	8.90	4.60
1.63	328	254	204	167	138	122	109	100	90.0	83.0	69.0	41.0	29.9	19.6	13.0	10.5	8.90	4.60
1.65	313	244	196	161	138	121	107	98.0	89.0	82.0	67.0	40.0	29.4	19.1	13.0	10.4	8.90	4.60
1.67	294	233	191	155	136	120	105	96.0	87.0	82.0	67.0	39.9	28.8	19.1	12.8	10.4	8.90	4.60
1.70	269	222	182	151	130	114	102	93.0	86.0	80.0	65.0	39.2	28.3	18.9	12.7	10.2	8.90	4.60
1.75	237	202	167	142	123	110	98.0	89.0	83.0	76.0	62.8	37.7	27.4	18.3	12.6	10.2	8.90	4.60
1.80	200	179	151	130	114	104	95.0	85.0	79.0	74.0	60.8	36.3	26.9	17.9	12.2	10.0	8.60	4.60
1.85	142	133	120	107	98.0	89.0	80.0	74.0	67.0	64.0	54.2	33.3	25.0	16.4	11.3	9.50	8.20	4.30
1.90	109	104	96.0	86.0	79.0	74.0	68.0	64.0	59.6	56.4	48.0	30.4	22.7	15.4	10.5	8.90	7.60	4.10

**Note** The above data are average values, and can be obtained within 3 charge/discharge cycles. These are not minimum values.