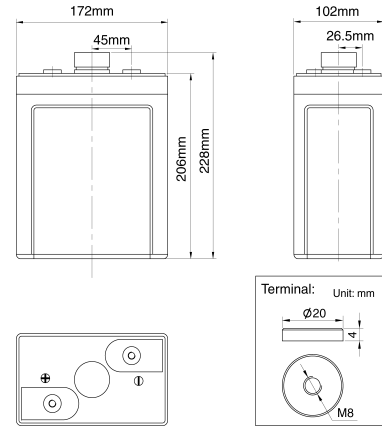


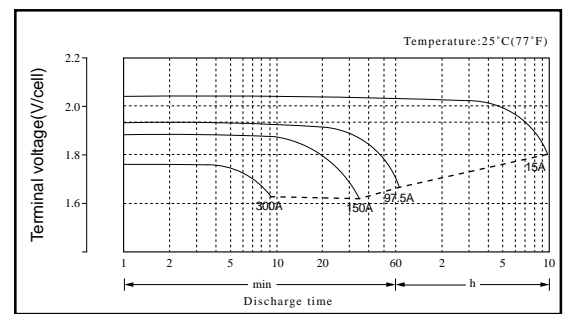
HGXL150-2



Specifications

Nominal Voltage		2V
Rated Capacity(10hour rate)		150AH
Dimension	Total Height (with terminals)	228mm(8.98inches)
	Height	206mm(8.11inches)
	Length	172mm(6.77inches)
	Width	102mm(4.02inches)
Weight		Approx.9.20kg(20.28lbs)

Discharge characteristics 77°F(25°C)



Float charge method: Constant voltage: 2.23V/cell(25°C)
Temperature compensation factor: -3mV/cell

Constant power discharge watts per cell @ 77°F(25°C)

End Point Volt/cell	Operation Time To End Point Voltage																	
	1min	5min	10min	15min	20min	25min	30min	35min	40min	45min	1h	2h	3h	5h	8h	10h	12h	24h
1.60	846	672	543	453	393	343	310	279	255	236	196	119	87.0	57.6	38.3	31.1	26.2	13.6
1.63	804	639	515	441	377	332	298	274	250	232	191	116	84.9	57.1	38.3	31.1	26.2	13.6
1.65	777	622	510	431	374	329	295	268	246	228	191	116	84.9	55.8	38.3	30.8	26.2	13.6
1.67	741	601	501	422	367	326	290	264	243	226	191	116	84.9	55.8	37.5	30.5	26.2	13.6
1.70	669	581	473	411	355	316	282	259	240	224	185	113	81.4	54.7	37.4	30.2	26.2	13.6
1.75	620	536	452	386	339	305	273	251	234	217	180	109	79.5	53.4	36.6	29.9	26.1	13.6
1.80	540	486	415	356	318	287	263	240	223	210	173	105	78.6	52.1	35.9	29.6	25.4	13.6
1.85	396	373	334	303	273	251	229	212	194	183	156	97.5	73.2	48.3	33.6	28.1	24.2	12.9
1.90	311	298	273	250	227	212	197	185	173	164	140	89.9	67.1	45.9	31.4	16.5	22.7	12.1

Constant current discharge ratings amperes @ 77°F(25°C)

End Point Volt/cell	Operation Time To End Point Voltage																	
	1min	5min	10min	15min	20min	25min	30min	35min	40min	45min	1h	2h	3h	5h	8h	10h	12h	24h
1.60	526	405	319	259	221	190	171	153	139	128	105	62.5	45.5	30.0	19.5	15.8	13.3	6.9
1.63	492	380	306	250	208	183	163	150	135	125	103	61.5	44.8	29.4	19.5	15.8	13.3	6.9
1.65	469	366	294	242	207	181	161	146	133	123	101	60.5	44.1	28.8	19.5	15.6	13.3	6.9
1.67	441	349	286	234	203	179	158	143	131	122	100	59.8	43.2	28.6	19.2	15.5	13.3	6.9
1.70	405	333	273	227	195	172	153	140	129	120	98.0	58.8	42.3	28.3	19.0	15.3	13.3	6.9
1.75	355	303	250	213	185	165	147	134	125	115	94.9	56.6	41.1	27.5	18.8	15.2	13.2	6.9
1.80	300	268	227	195	172	155	142	128	118	111	90.9	54.5	40.5	26.8	18.3	15.0	12.9	6.9
1.85	214	200	179	161	146	133	120	111	101	95.5	81.1	50.0	37.5	24.6	17.0	14.2	12.2	6.5
1.90	163	156	143	130	118	110	102	95.5	89.3	84.7	72.1	45.5	34.1	23.1	15.8	13.3	11.4	6.1

Note The above data are average values, and can be obtained within 3 charge/discharge cycles. These are not minimum values.